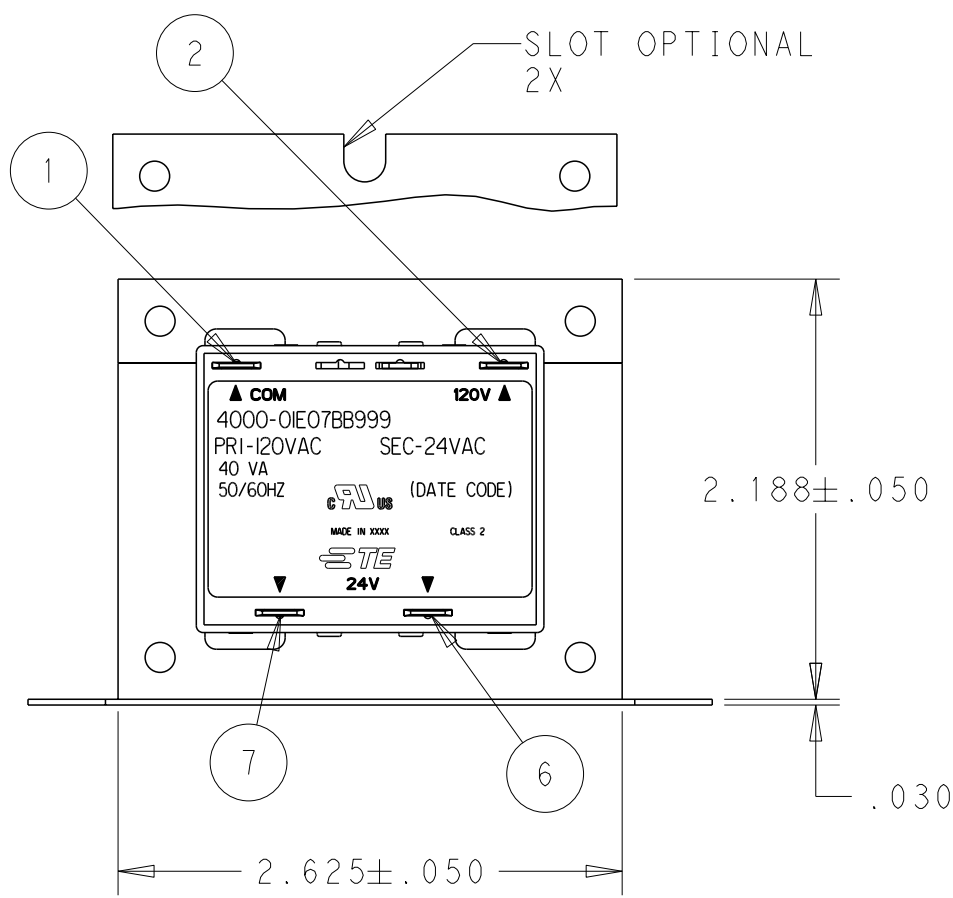


THIS DRAWING IS UNPUBLISHED. RELEASED FOR PUBLICATION 20  
 © COPYRIGHT 20 BY - ALL RIGHTS RESERVED.

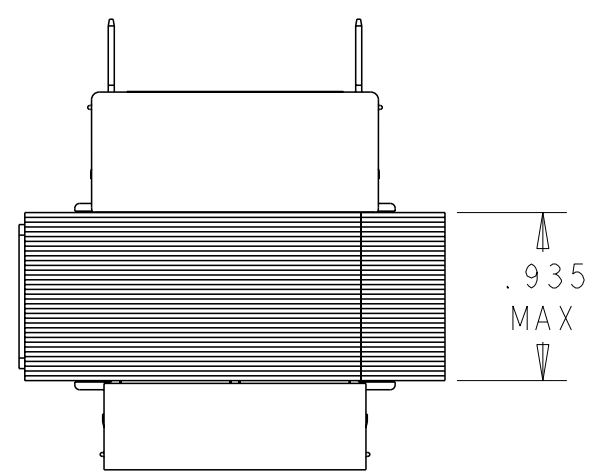
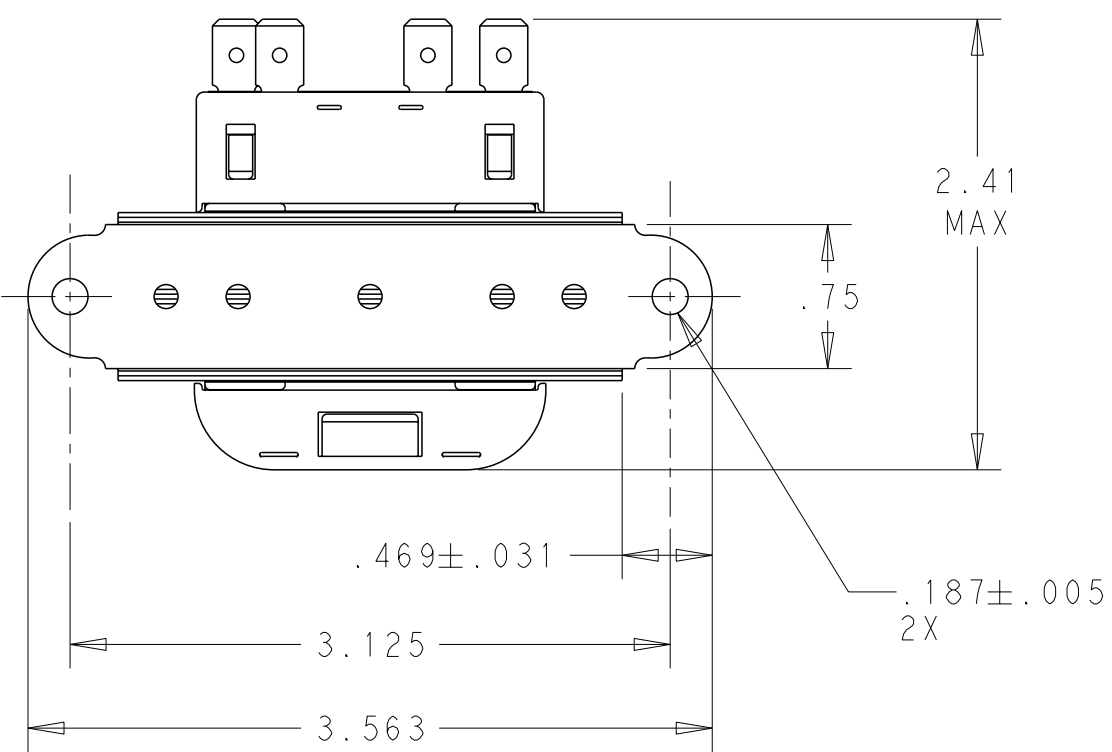
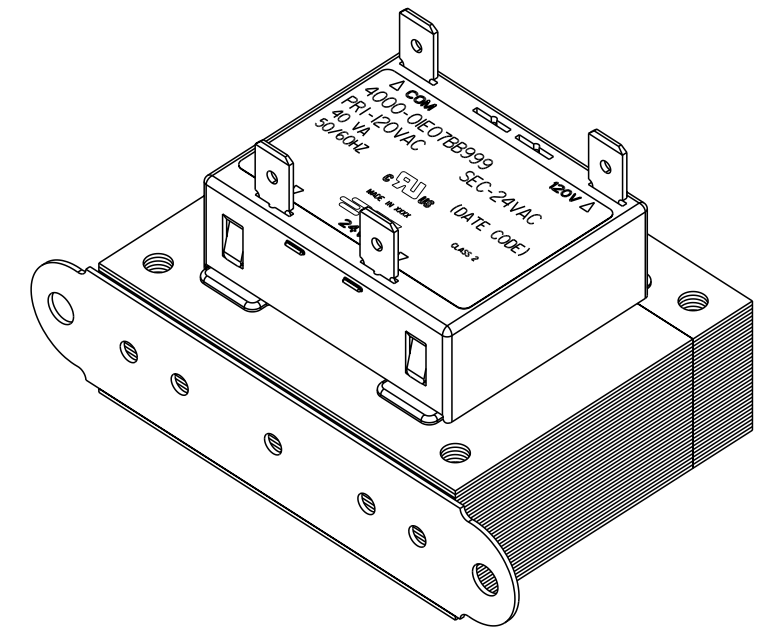
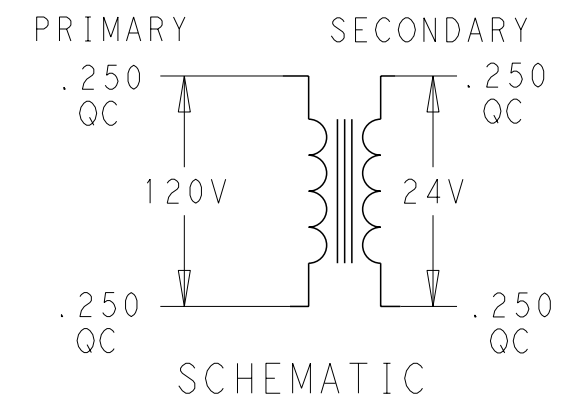
LOC	DIST	REVISIONS				
P	LTR	DESCRIPTION	DATE	DWN	APVD	
GZ	00	D	ECR-16-001088	27JAN2016	VS DB	



CERTIFICATION: UL & CUL FILE NO. E87824

PRIMARY			SECONDARY		
TERMINAL NO.	1	2	TERMINAL NO.	6	7
VOLTAGE	COM	120	VOLTAGE	24	VAC
TERM. WIDTH	.250	.250	TERM. WIDTH	.250	.250
TERM. THICKNESS	.032	.032	TERM. THICKNESS	.032	.032

1. WINDING PROTECTION: INHERENTLY LIMITING.



2-1611453-2  
TE PART NO.

THIS DRAWING IS A CONTROLLED DOCUMENT.

DIMENSIONS: INCHES  	TOLERANCES UNLESS OTHERWISE SPECIFIED: 0 PLC ±- 1 PLC ±.1 2 PLC ±.03 3 PLC ±.015 4 PLC ±- ANGLES ±- MATERIAL - FINISH -	DWN VIC SLACK 14JUL2014	TE Connectivity NAME TRANSFORMER OUTLINE
		CHK D. BLOESCH 14JUL2014	
		APVD D. BLOESCH 14JUL2014	SIZE A3
		PRODUCT SPEC -	CAGE CODE C-4000-01E07BB999
		APPLICATION SPEC -	DRAWING NO. -
		WEIGHT -	RESTRICTED TO -
		Customer Drawing	SCALE 1:1 SHEET 1 OF 1 REV D