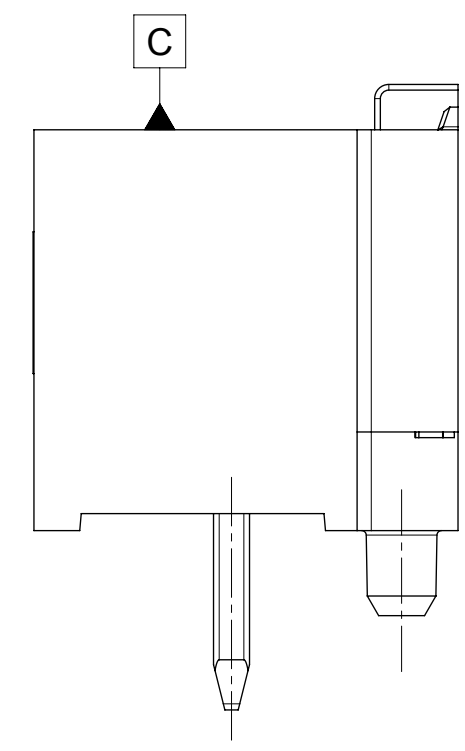
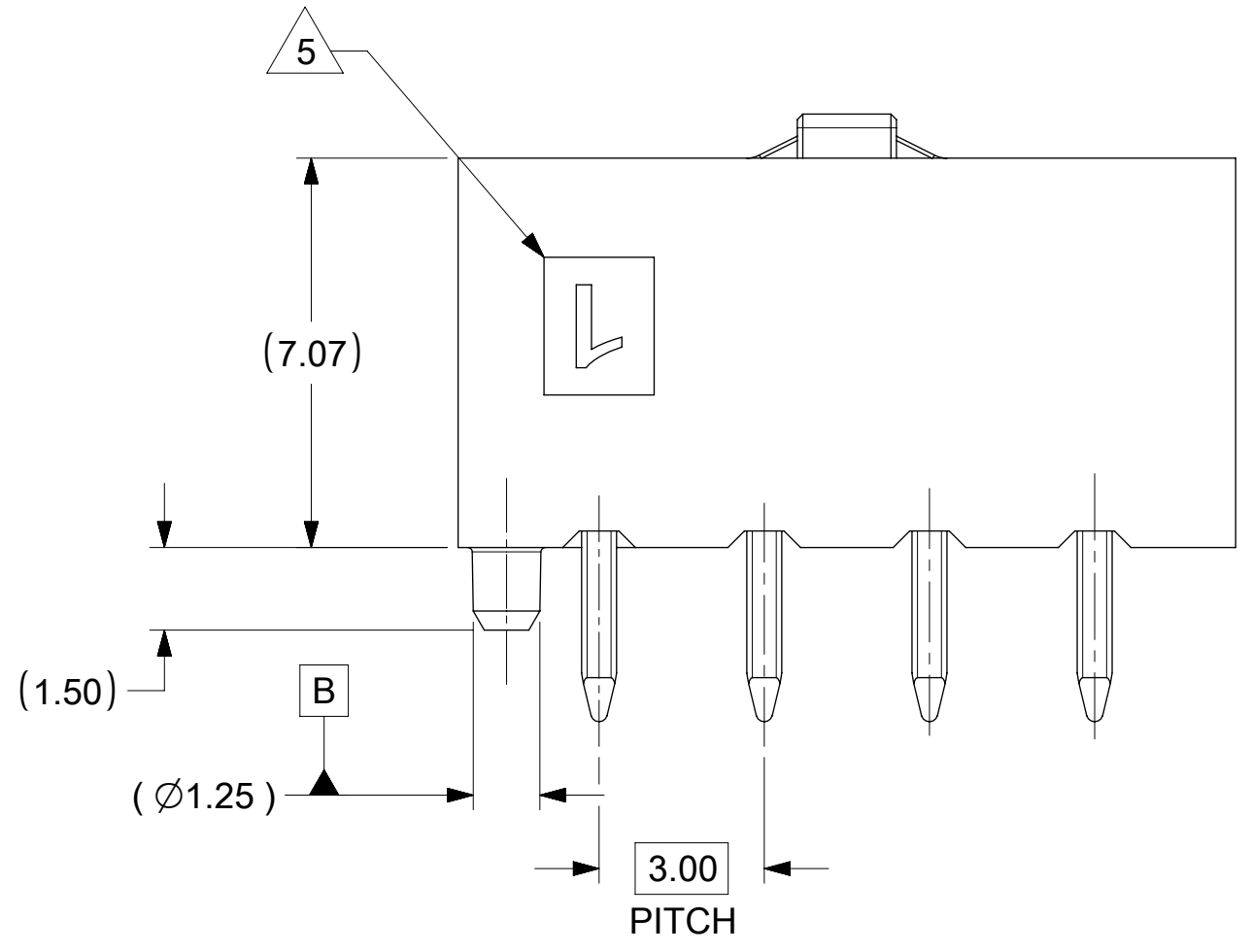
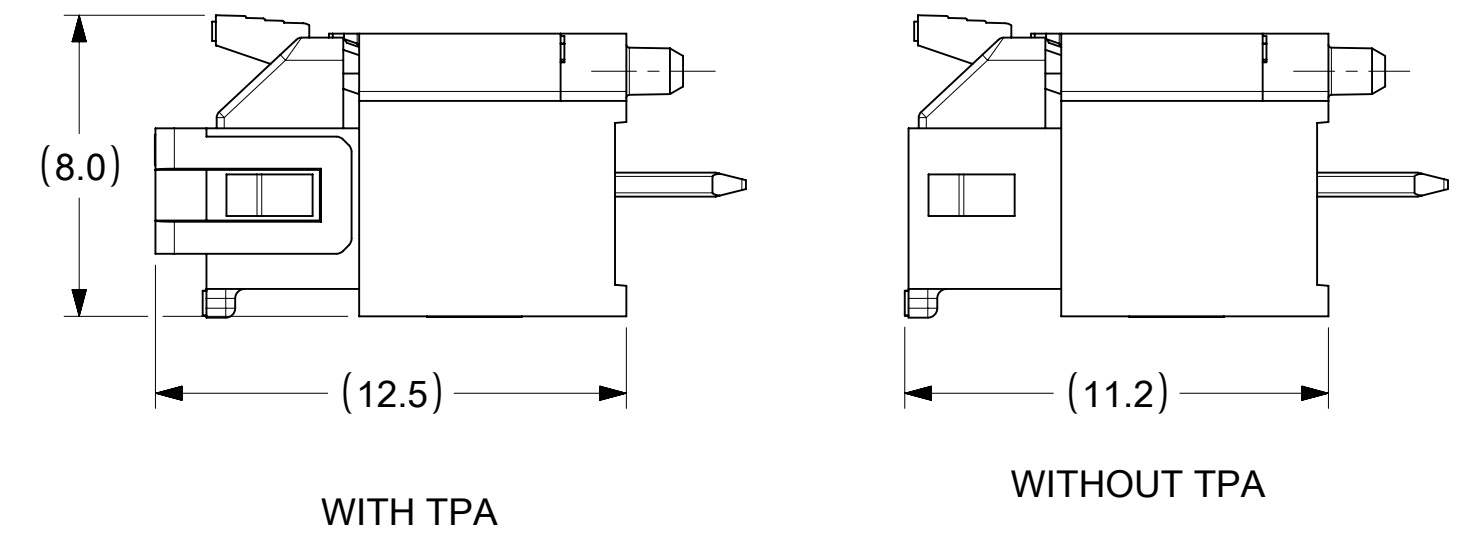


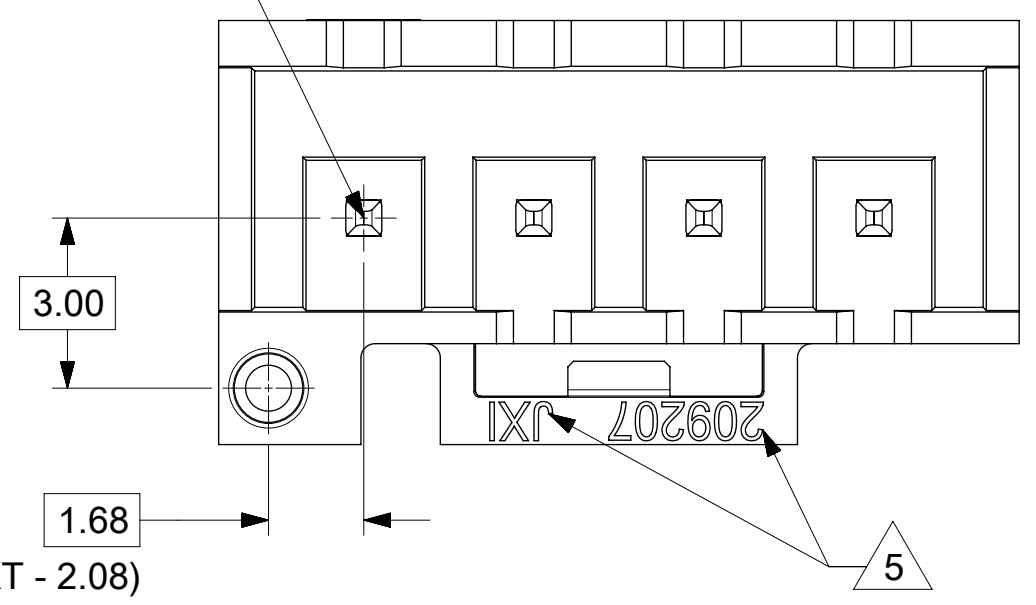
ISOMETRIC VIEW FOR 4 CKT  
HEADER ASSEMBLY



ASSEMBLY DIMENSIONS



⊕ Ø0.40 C B



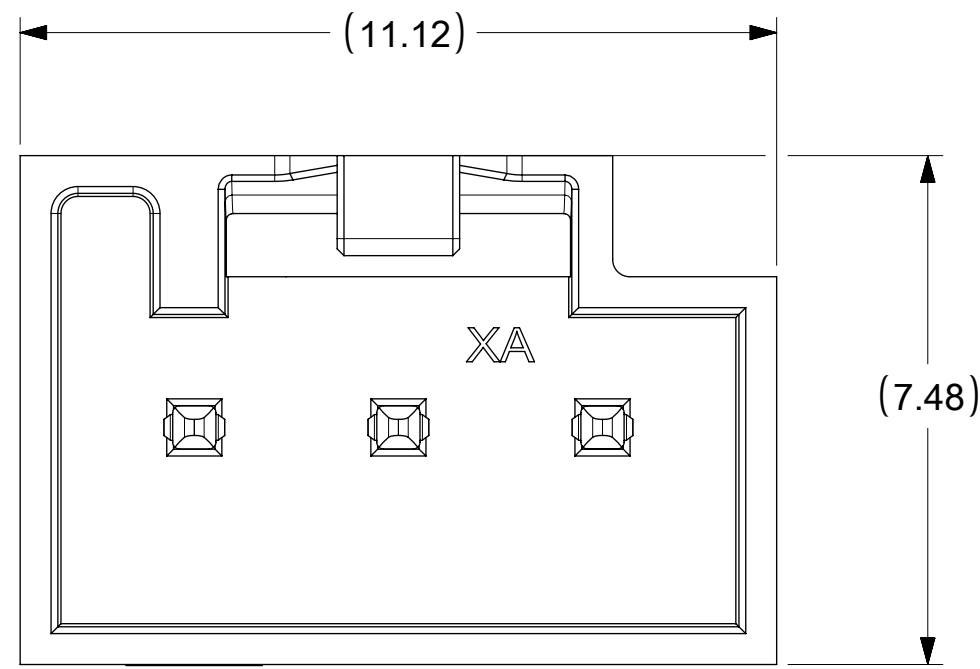
- NOTES:
- MATERIAL:
    - HOUSING: LIQUID CRYSTAL POLYMER, RATED UL 94V-0, COLOUR-BLACK
    - TERMINAL: COPPER ALLOY  
PLATING: TIN OVER NICKEL OVERALL.
  - PRODUCT SPECIFICATION: 2092080000-PS
  - PACKAGING SPECIFICATION: 2092080002-PK
  - COSMETIC SPECIFICATION: PS-45499-002 CLASS B
  - CIRCUIT ID, CAVITY ID, SERIES NUMBER, FACTORY ID LOCATION

HEADER ASSEMBLY PN	CKT	HOUSING PN	TERMINAL PN	DIM. "B"
2092080002	2	2092070002	2117310001	8.92
2092080003	3	2092070003		11.12
2092080004	4	2092070004		14.12

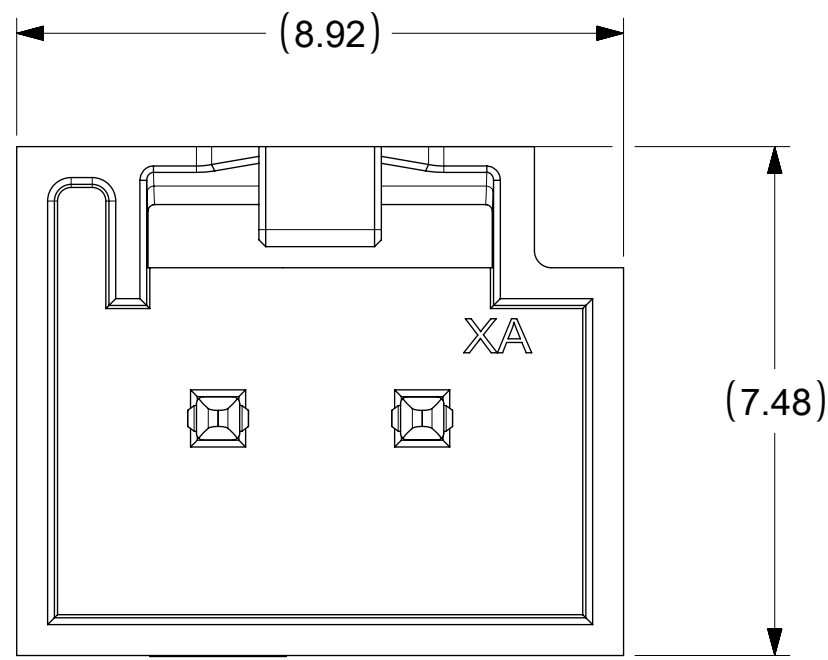
THIS DRAWING CONTAINS INFORMATION THAT IS PROPRIETARY TO MOLEX ELECTRONIC TECHNOLOGIES, LLC AND SHOULD NOT BE USED WITHOUT WRITTEN PERMISSION

DIMENSION UNITS <b>mm</b>	SCALE <b>6:1</b>	CURRENT REV DESC:	<b>molex</b>		
GENERAL TOLERANCES (UNLESS SPECIFIED)					
ANGULAR TOL ± °		EC NO: 707267	HEADER ASSEMBLY FOR KK PLUS 300 WTB CONNECTOR SYSTEM		
4 PLACES ±		DRWN: SHRUTJ	PRODUCT CUSTOMER DRAWING		
3 PLACES ±		CHK'D: SHRUTJ	DOCUMENT NUMBER		
2 PLACES ± 0.25		APPR: ISHWARG	2092080000-SD		
1 PLACE ± 0.3		INITIAL REVISION:	DOC TYPE   DOC PART   REVISION		
0 PLACES ±		DRWN: GSHARMA	PSD   000   A2		
DRAFT WHERE APPLICABLE MUST REMAIN WITHIN DIMENSIONS	THIRD ANGLE PROJECTION	APPR: ISHWARG	MATERIAL NUMBER	CUSTOMER	SHEET NUMBER
			SEE TABLE	GENERAL MARKET	1 OF 2

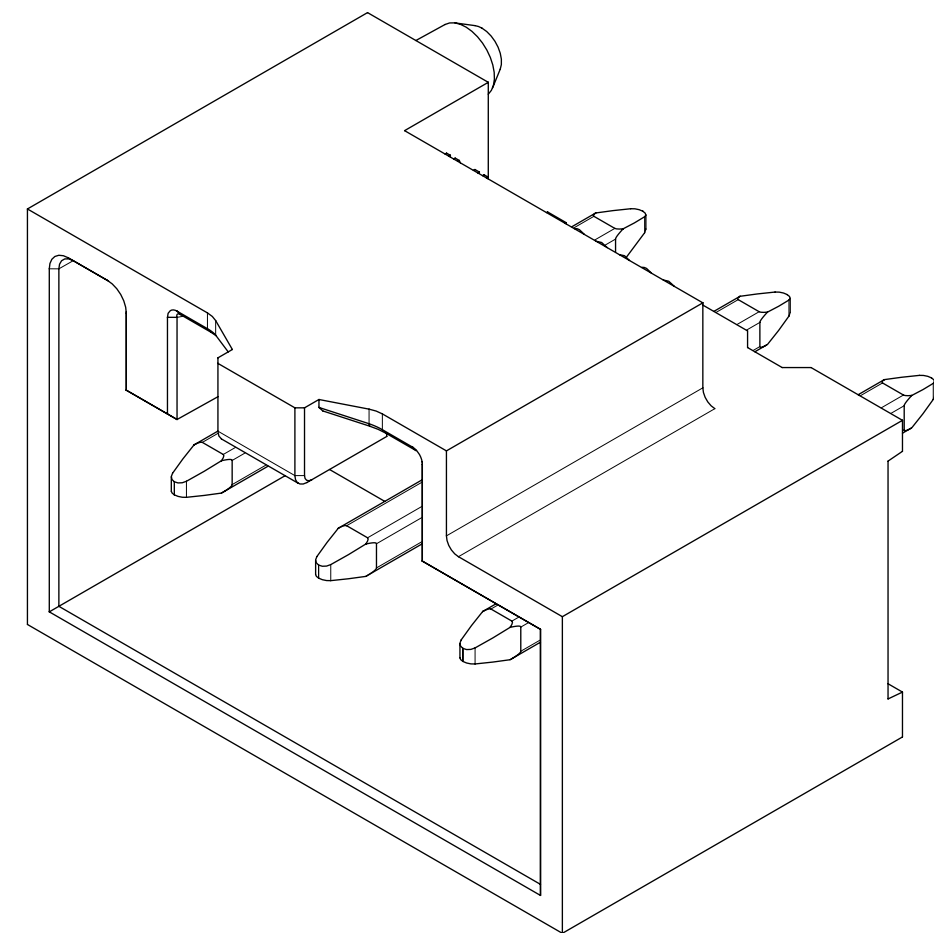
# POLARIZATION



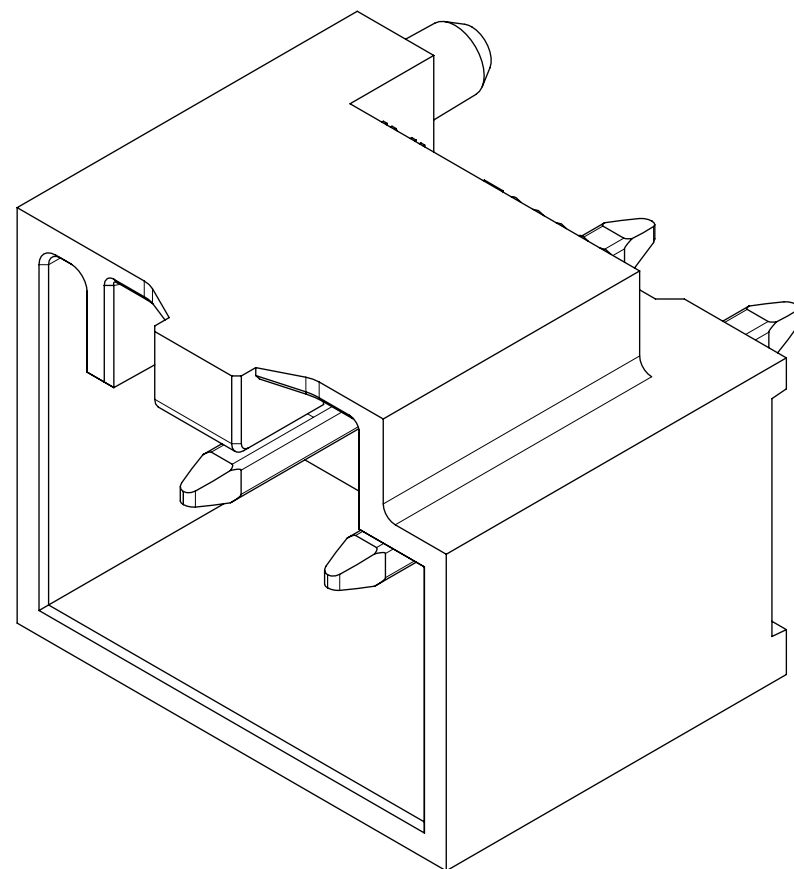
3 & 4 CKT HEADER ASSEMBLY



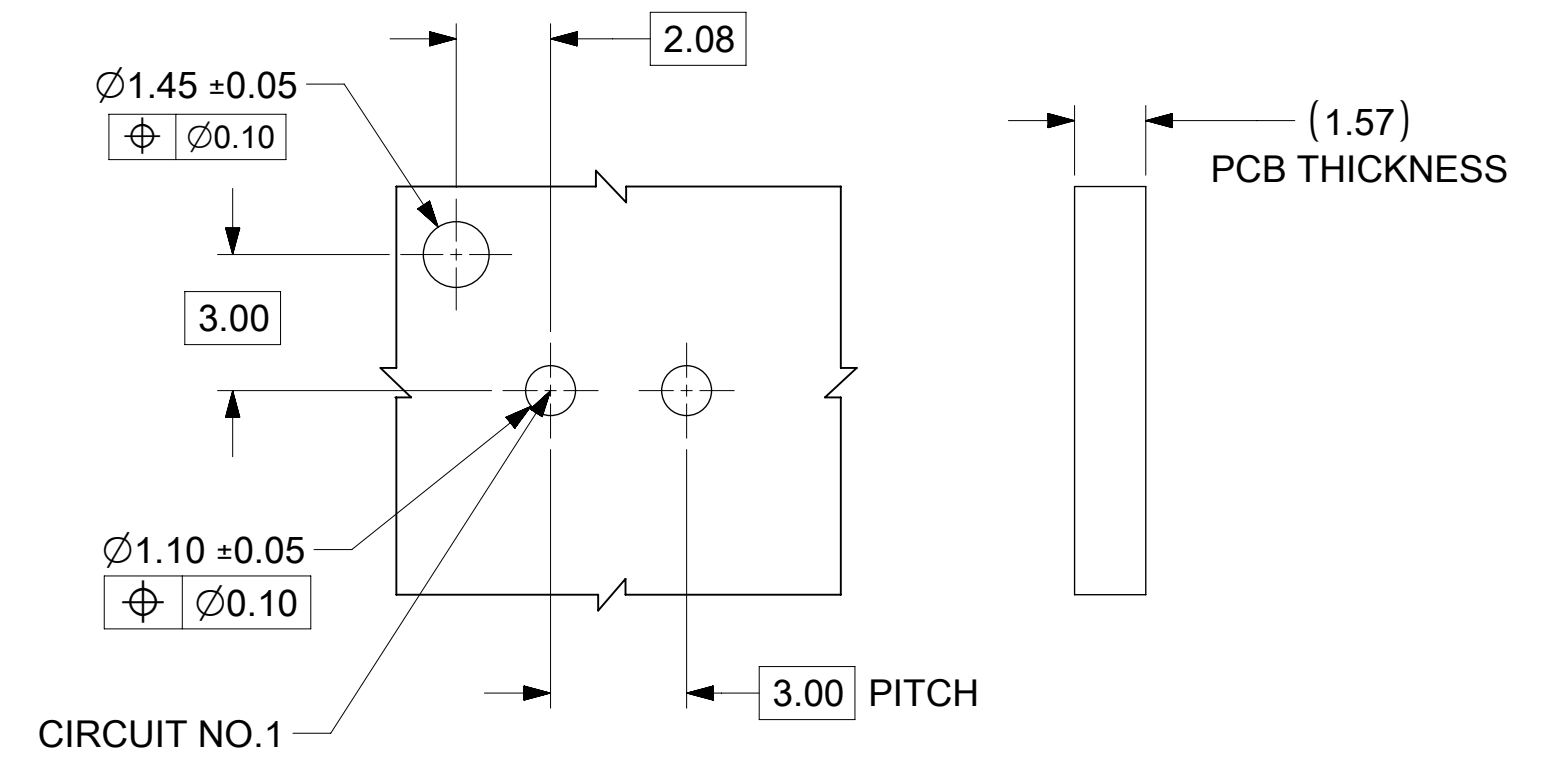
2 CKT HEADER ASSEMBLY



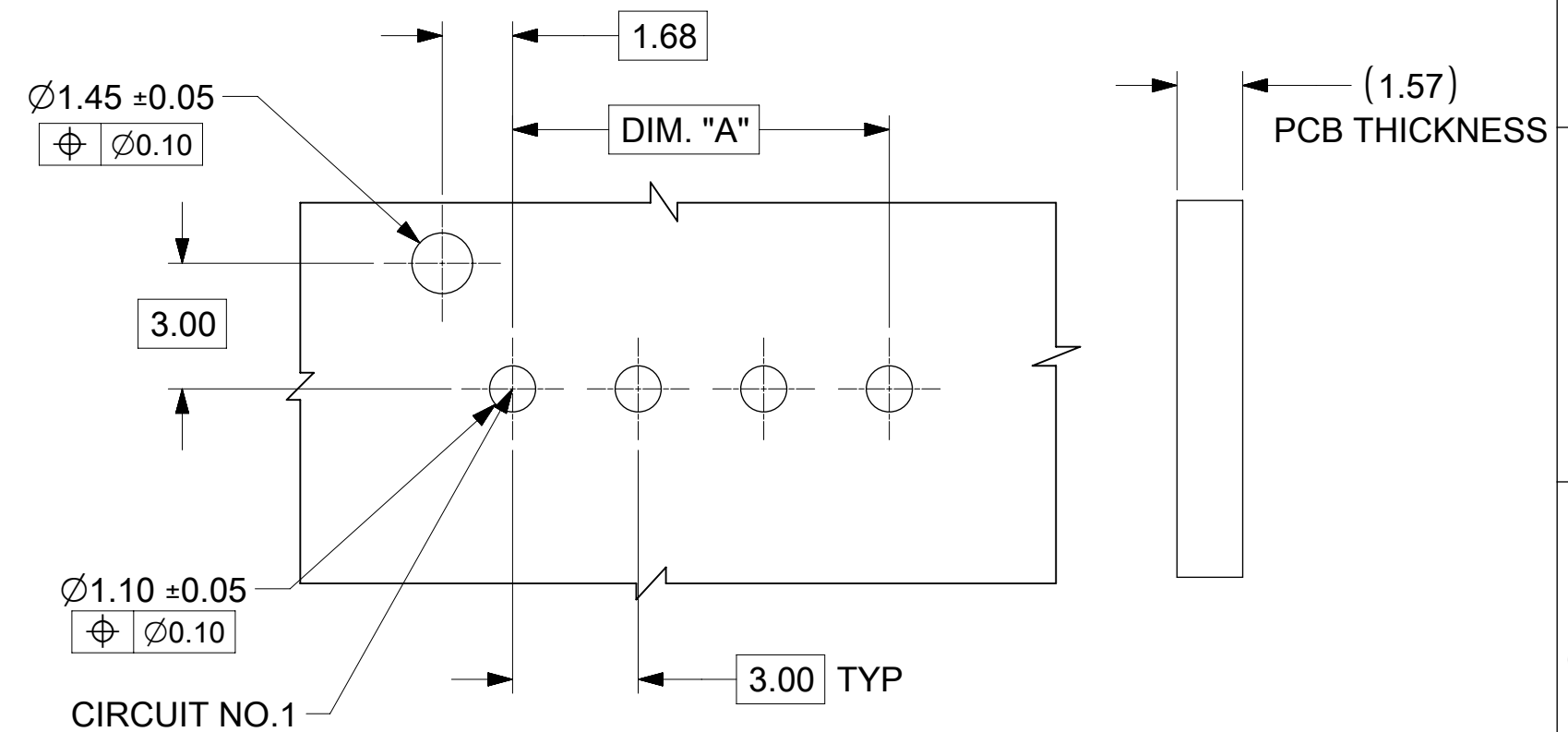
ISOMETRIC VIEW FOR  
3 & 4 CKT HEADER ASSEMBLY



ISOMETRIC VIEW FOR  
2 CKT HEADER ASSEMBLY



RECOMMENDED PCB HOLE LAYOUT  
FOR 2CKT HEADER ASSEMBLY FROM MATING SIDE



RECOMMENDED PCB HOLE LAYOUT  
FOR 3CKT & 4CKT HEADER ASSEMBLY FROM MATING SIDE

THIS DRAWING CONTAINS INFORMATION THAT IS PROPRIETARY TO MOLEX ELECTRONIC TECHNOLOGIES, LLC AND SHOULD NOT BE USED WITHOUT WRITTEN PERMISSION

DIMENSION UNITS		SCALE		CURRENT REV DESC:											
mm		8:1													
GENERAL TOLERANCES (UNLESS SPECIFIED)								EC NO: 707267 DRWN: SHRUTJ 2022/05/16 CHK'D: SHRUTJ 2022/05/18 APPR: ISHWARG 2022/05/19 INITIAL REVISION: DRWN: GSHARMA 2019/01/16 APPR: ISHWARG 2020/05/22							
ANGULAR TOL ± °															
4 PLACES ±															
3 PLACES ±															
2 PLACES ± 0.25															
1 PLACE ± 0.3								PRODUCT CUSTOMER DRAWING							
0 PLACES ±								DOCUMENT NUMBER		DOC TYPE		DOC PART		REVISION	
								2092080000-SD		PSD		000		A2	
DRAFT WHERE APPLICABLE MUST REMAIN WITHIN DIMENSIONS				THIRD ANGLE PROJECTION		DRAWING		SERIES		MATERIAL NUMBER		CUSTOMER		SHEET NUMBER	
						C-SIZE		209208		SEE TABLE		GENERAL MARKET		2 OF 2	

DOCUMENT STATUS	P1	RELEASE DATE	2022/05/19	05:54:25
-----------------	----	--------------	------------	----------