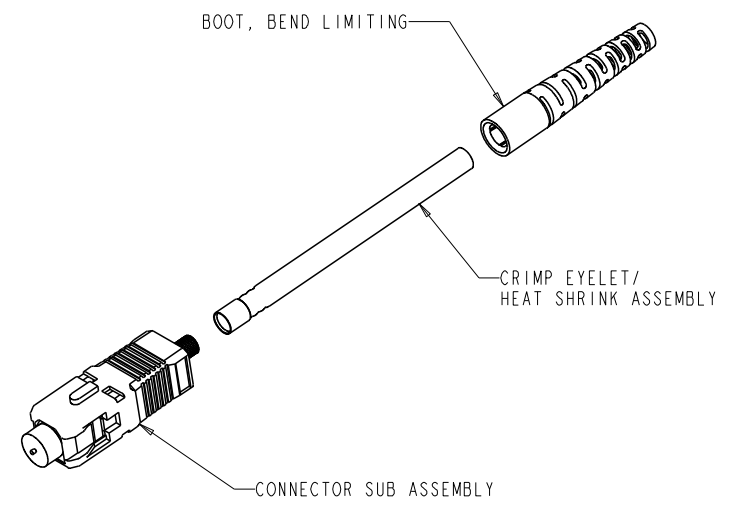
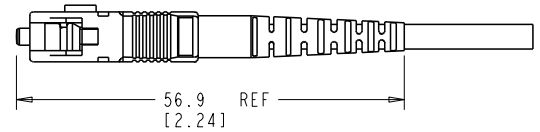
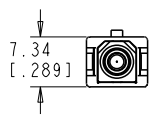
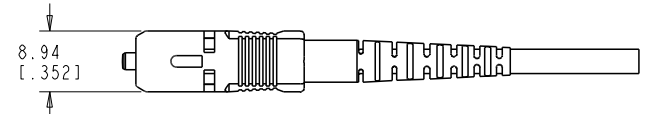


| REVISIONS | | | | |
|-----------|-----|---------------|-----------|----------|
| P | LT# | DESCRIPTION | DATE | OWN APVD |
| | D | ECR-17-012802 | 06SEP2017 | KG DW |
| | | | | |
| | | | | |

△ MATERIAL: PROTECTIVE COVER: TPE, COLOR:BLACK, UL 94 HB. *
 FERRULE SUB ASSEMBLY: ZIRCONIA/METAL
 COMPRESSION SPRING: STAINLESS STEEL.
 CONNECTOR HOUSING: PBT, COLOR:BEIGE, UL 94 V-0. *
 PLUG BODY: PAS, COLOR: BEIGE, UL 94 V-0. *
 REAR BODY: METAL
 BOOT: PP, COLOR:BEIGE, UL 94 V-0. *
 CRIMP EYELET/HEAT SHRINK ASSY: ALUM. ALLOY, HEAT SHRINK: POLYOLEFIN, UL VW-1.
 *RATED AT QUALIFYING THICKNESS.

△ BULK PACKAGED



| | |
|---|-------------|
| △ | 1918227-2 |
| | 1918227-1 |
| | PART NUMBER |

| | | | |
|--|---------------------|------------------------------------|--|
| THIS DRAWING IS A CONTROLLED DOCUMENT. | | OWN E. HOPKINS 20 JAN 2006 | TE Connectivity |
| DIMENSIONS: mm [INCHES] | | CHEK D. ROHDE 20 JAN 2006 | |
| TOLERANCES UNLESS OTHERWISE SPECIFIED: | | APVD D. BAECHTLE 20 JAN 2006 | NAME CONNECTOR KIT, SC, SIMPLEX SM, JUMPER, TIGHT JACKET STYLE, 2.4mm |
| 0 PLC ± | 1 PLC ±0.1 / (.004) | PRODUCT SPEC | SIZE |
| 2 PLC ±0.01 / (.0004) | 3 PLC ± | APPLICATION SPEC | CAGE CODE |
| 4 PLC ± | ANGLES ± | WEIGHT | DRAWING NO |
| FINISH | | CUSTOMER DRAWING | A2 00779 ©=1918227 |
| | | RESTRICTED TO | |
| | | SCALE | 3:1 SHEET 1 OF 1 REV D |