

Figure 1

1. INTRODUCTION

Extraction Tool 1490584-1 is designed to extract a 0.8mm AMPMODU micro interconnect contact from its connector. Read these instructions thoroughly before attempting to extract contacts.

Reasons for reissue of this instruction sheet are provided in Section 5, REVISION SUMMARY.

2. DESCRIPTION

The extraction tool consists of a handle and a movable extraction slide. The extraction slide is used to push the contact out of position after the locking latch is depressed by the tip. See Figure 1.

3. EXTRACTION PROCEDURE (Figure 2)

1. Place the extraction tool in position as shown in Figure 2.

2. Push the extraction tool onto the connector body, straddling the connector wall and the contact to be removed.
3. With the extraction tool bottomed on the connector, slide the extraction slide forward, thus pushing the contact out of position.
4. Remove the contact (with the wire) from the rear of the connector.

NOTE



Be sure the contact has been backed partially out of position before pulling on the wire to remove the contact.

4. TOOL REORDERING

The extraction tool is not repairable and should be replaced when it is worn or damaged.

Additional extraction tools can be purchased from:

CUSTOMER SERVICE (38-35)
TYCO ELECTRONICS CORPORATION
PO BOX 3608
HARRISBURG PA 17105-3608

5. REVISION SUMMARY

Revisions to this instruction sheet include:

- Updated instruction sheet to corporate requirements

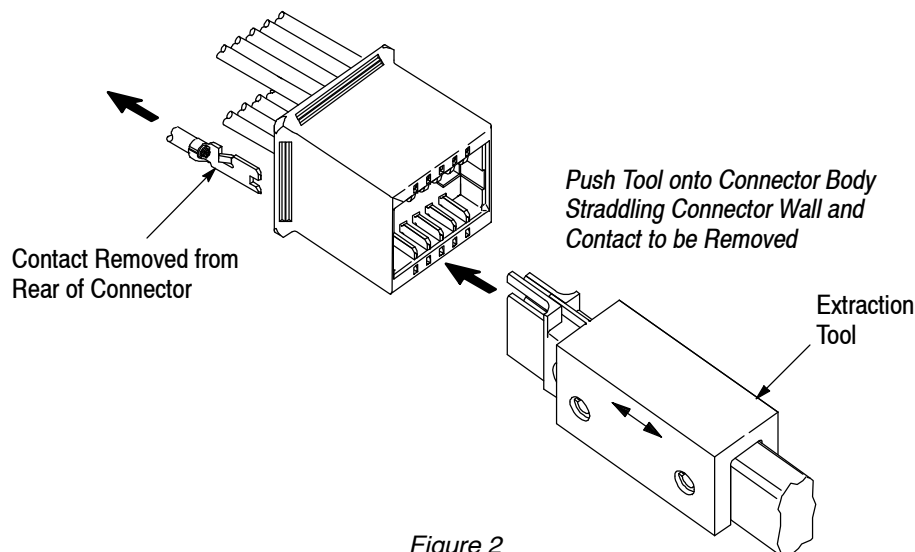


Figure 2