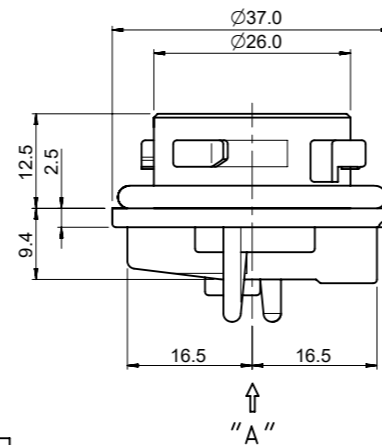
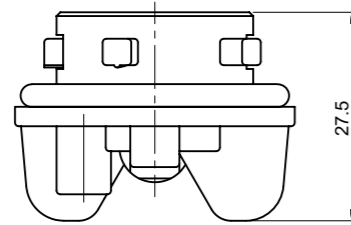
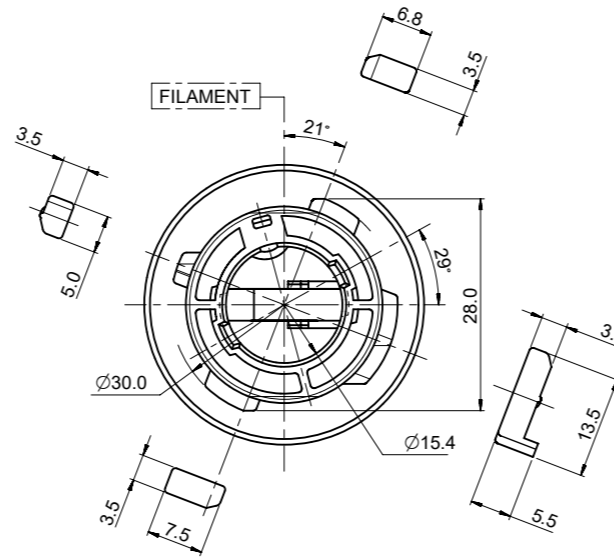
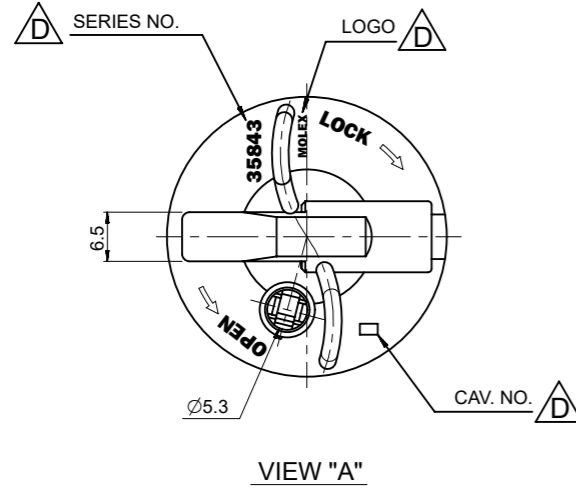


- NOTES
1. FOCAL LENGTH =31.8mm
  2. PRODUCT SPECIFICATION: PS-35842-001
  3. APPLICABLE BULB CAP: P21W(BA15s)
  4. MATES WITH

NO.	DESCRIPTION	MATERIAL	ORDER NO.	REMARK
③	POSITIVE TERMINAL	PHOSPHOR BRONZE	35464-8000	UNPLATED
④	POSITIVER WIRE SEAL	SILICONE	35903-0096	BROWN
⑤	EARTH TERMINAL	PHOSPHOR BRONZE	35465-8000	UNPLATED
⑥	EARTH WIRE SEAL	SILICONE	35903-0106	BLUE

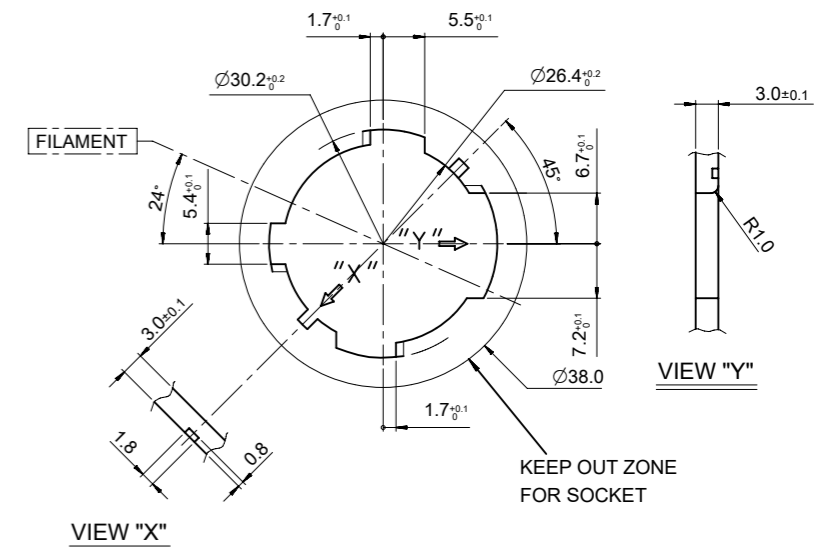
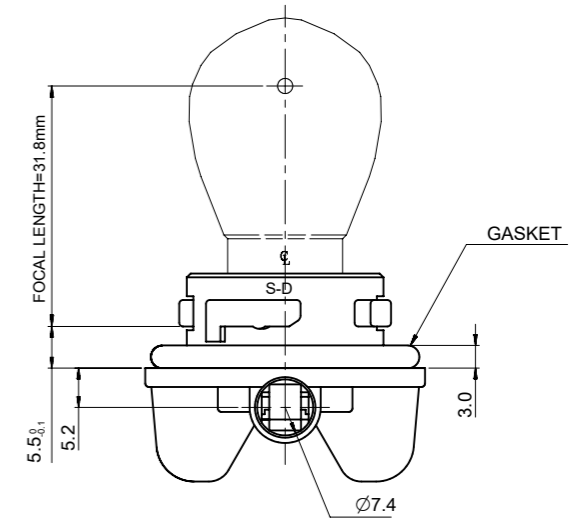
<PART LIST>

NO.	DESCRIPTION	MATERIAL	USAGE	REMARK
①	SINGLE SOCKET	PA66 M/F	1	D TYPE
②	SEAL GASKET	NBR	1	BLACK

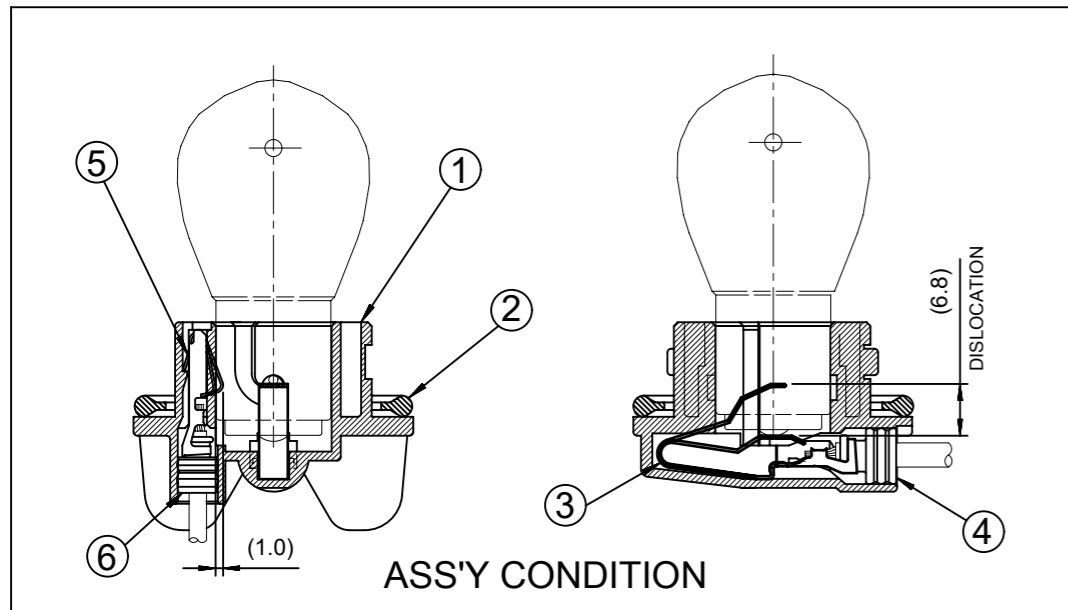


<TABLE 1>

MATERIAL NO.	ORDER NO.	COLOR
358431240	35843-1240	NATURAL
358431245	35843-1245	GRAY
358431246	35843-1246	WHITE
358431247	35843-1247	BROWN



**MOUNTING INTERFACE**  
(MI-4)



THIS DRAWING CONTAINS INFORMATION THAT IS PROPRIETARY TO MOLEX ELECTRONIC TECHNOLOGIES, LLC AND SHOULD NOT BE USED WITHOUT WRITTEN PERMISSION									
DIMENSION UNITS		SCALE		CURRENT REV DESC: RETRACTED PART NUMBER AS PER SALES FORCE CASE#210635					
mm		1:1							
GENERAL TOLERANCES (UNLESS SPECIFIED)									
				PRODUCT CUSTOMER DRAWING					
4 PLACES ±				MM		INCH		EC NO: 674442	
3 PLACES ±				±		±		DRWN: SUGEEB 2021/08/18	
2 PLACES ± 0.15				±		±		CHK'D: GGA 2021/09/08	
1 PLACE ± 0.25				±		±		APPR: GGA 2021/09/08	
0 PLACES ±				±		±		INITIAL REVISION:	
ANGULAR TOL ± 2.0°				±		±		DRWN: YSIKKIM 1999/06/08	
DRAFT WHERE APPLICABLE MUST REMAIN WITHIN DIMENSIONS				THIRD ANGLE PROJECTION		DRAWING		SERIES	
						A3-SIZE		35843	
DOCUMENT NUMBER				DOC TYPE		DOC PART		REVISION	
SD-35843-004				PSD		001		F	
MATERIAL NUMBER				CUSTOMER		SHEET NUMBER			
SEE TABLE 1				GENERAL MARKET		1 OF 1			