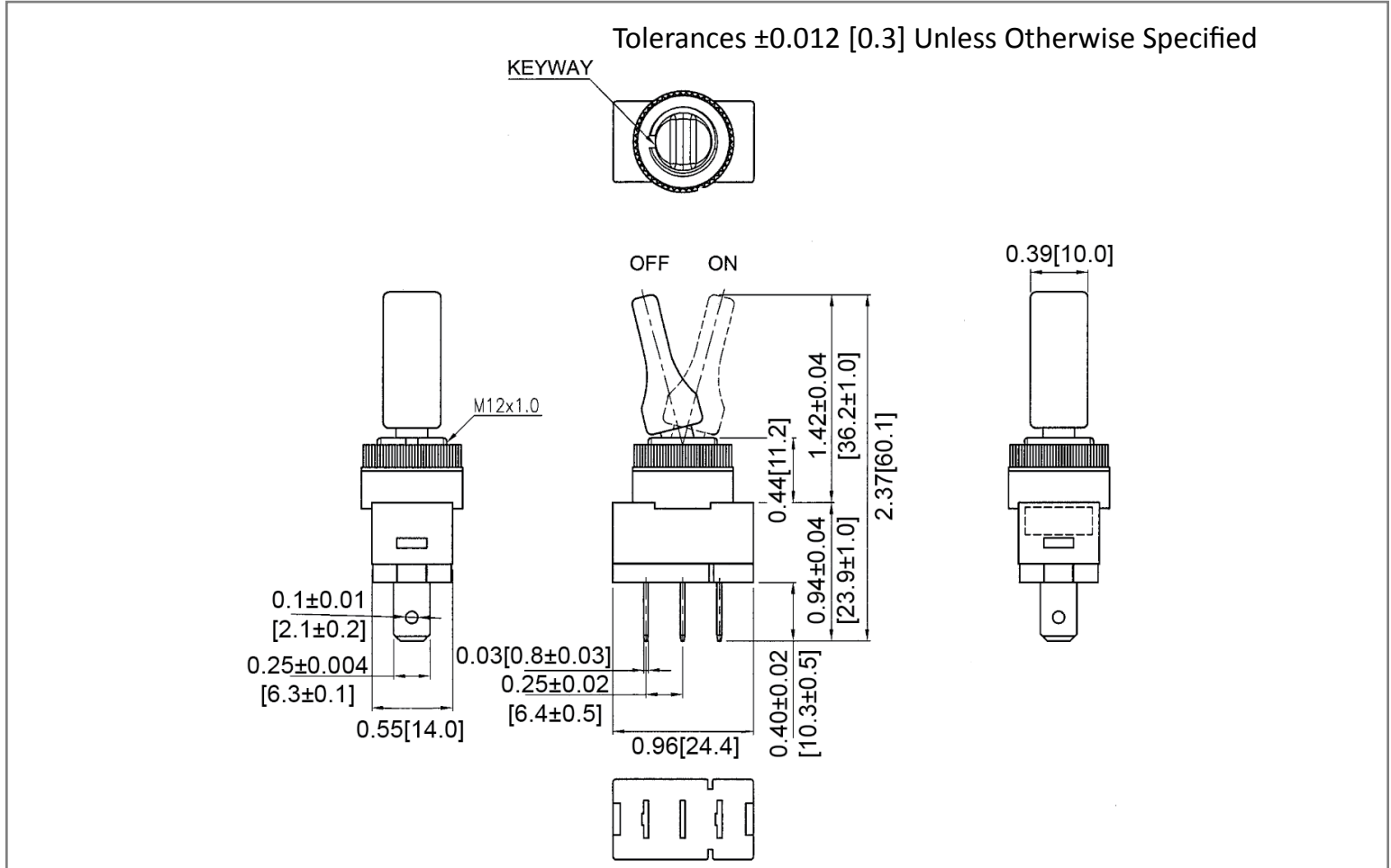
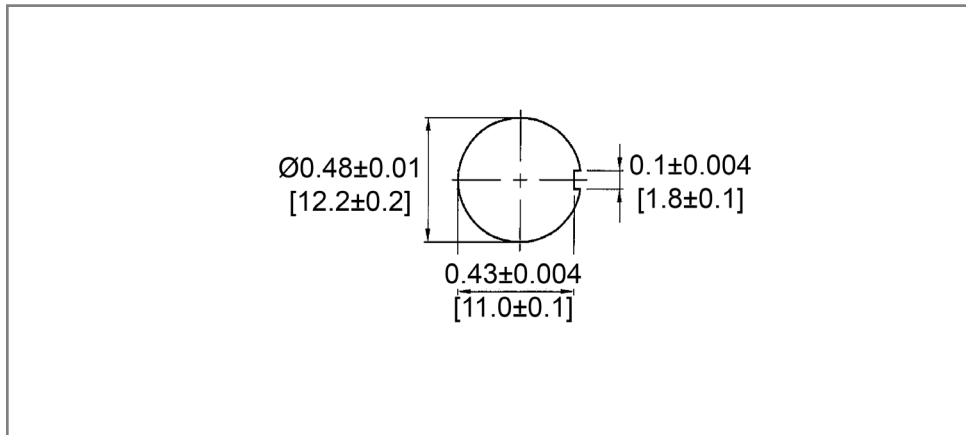


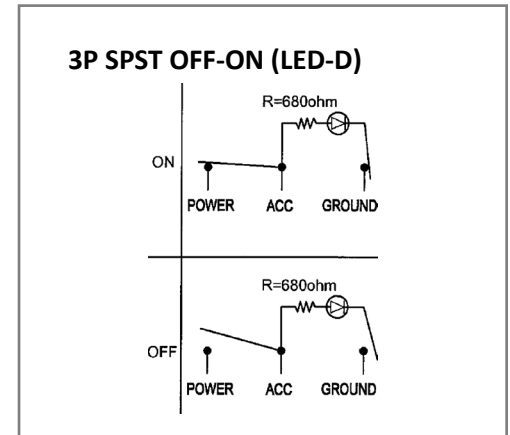
Mechanical Dimensions: Inches [mm]



Mounting Hole



Circuit Diagram



Electrical Specifications

| | |
|-----------------------|----------------------|
| Rating | 20A 12V DC |
| Contact Resistance | 50m ohm Max |
| Insulation Resistance | DC 500V 100M ohm Min |
| Dielectric Strength | AC 1500V 1 minute |

Material Specifications

| | |
|-----------|-------------------|
| Frame | Black, PC |
| Base | Black, PBT |
| Handle | Amber Clear, PC |
| LED | Amber (Dependent) |
| Terminals | Brass Alloy |

| Rev | Date of issue | Revision Notes | Designed | Approved |
|-----|---------------|-----------------|----------|----------|
| B | 07-13-2021 | Initial Drawing | RC | OF |