

Change Notice

MS Series

Change to the Slide Switch Frame

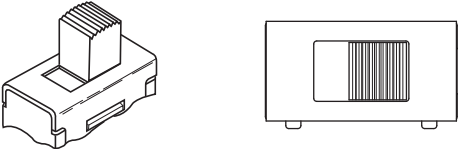
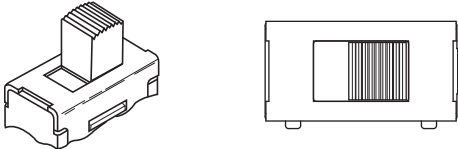
Type of Change:

- Engineering
- Part Number
- Product
- Appearance



MS Slide Switch Before Change to the Frame

The MS Slide series will have a change to the frame that covers the switch body. The change will effect all single pole models with straight PC terminals, both standard and custom. The modification is detailed below, followed by the effected standard part numbers.

Change to MS Slide Frame	
Before Change	After Change
	 <p>Cutout on each end of frame</p>

Part Numbers Effected by Change to Frame		
MS12ANW03	MS12ANG03	MS12ANA03
MS13ANW03	MS13ANG03	MS13ANA03

Notes

The changes to the frame do not effect other switch specifications. Contact factory if more details are needed.

Effective Date

Changes to MS Slide frames will be effective February 2016.



<http://www.nkkswitches.com> • 1.877.2BUYNKK (228.9655)

7850 East Gelding Drive • Scottsdale, AZ 85260 • Telephone 480.991.0942 • Fax 480.998.1435