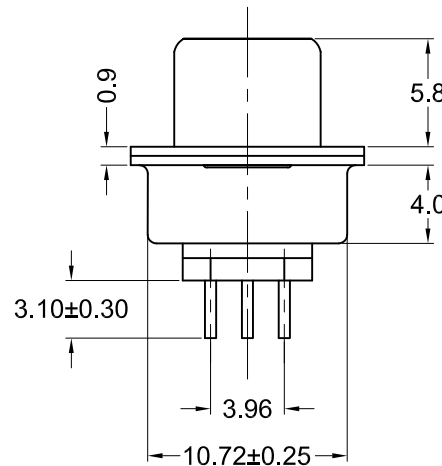
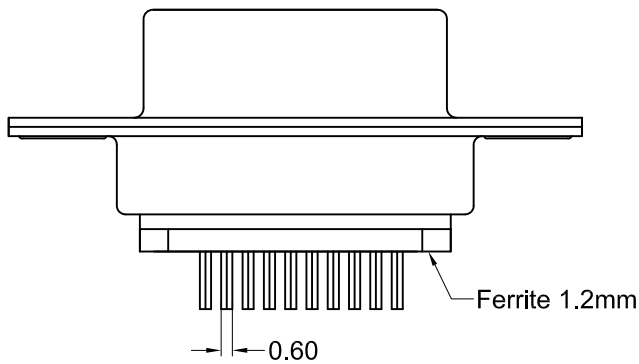


Recommended PCB Layout
(Top View)



Material and Finish

- Shell: Steel, nickel plated
- Insulator: PBT thermoplastic with glass-fiber reinforcement, UL94V-0 rated
Color: Black
- Contact Material:
Socket - Brass
- Contact Plating Options:
Standard: gold flash on mating end, tin on termination end, nickel underplate on entire contact
- 15 Option: 15u" gold on mating end, tin on termination end, nickel underplate on entire contact
- 30 Option: 30u" gold on mating end, tin on termination end, nickel underplate on entire contact

Electrical Specifications

- Rated Current: 1.5A
- Rated Voltage: 30Vac
- Insulation Resistance:
more than 1000 megohms at 500V DC
- Contact Resistance:
13 milliohms max.
- Dielectric Withstanding Voltage:
1000V for 1 minute
- Operating Temperature:
-55°C to +75°C

Ordering Information

| Part Number | Contact Area Plating Finish |
|-----------------|------------------------------|
| KF86X-ED-15S | Gold Flash (standard option) |
| KF86X-ED-15S-15 | 15u" Gold (15 option) |
| KF86X-ED-15S-30 | 30u" Gold (30 option) |

Ferrite Specifications

| Measured Value(OHM) | Test Frequency |
|---------------------|----------------|
| 12 MIN. | 25 MHz. |
| 30 MIN. | 100 MHz. |



| Tolerances |
|-------------------------|
| X.X ± 0.30 |
| X.XX ± 0.20 |
| Unless Stated Otherwise |

| REV. | DATE | DESCRIPTION | REV. BY | CHK. BY | DRAWN BY | DATE |
|------|----------|-------------|------------|-------------|----------|----------|
| A1 | 03/30/09 | New Drawing | S. Vien | H. MA | S. Vien | 01/13/09 |
| A2 | 10/17/14 | ECO#14-028 | H. MA | P. DalCanto | | |
| A3 | 05/12/16 | ECO#16-009 | H. MA | W. Cook | | |
| A4 | 12/31/17 | ECO #17-033 | J. Elbanna | C. Furumasu | | |
| | | | | | | UNITS |
| | | | | | | mm |

KF86X-ED-15S

Vertical D-Sub, HD, RoHS Compliant

Ferrite, 15 Pin Female

