

Customer Information Sheet

DRAWING No.: G125-MHXXX05L2R

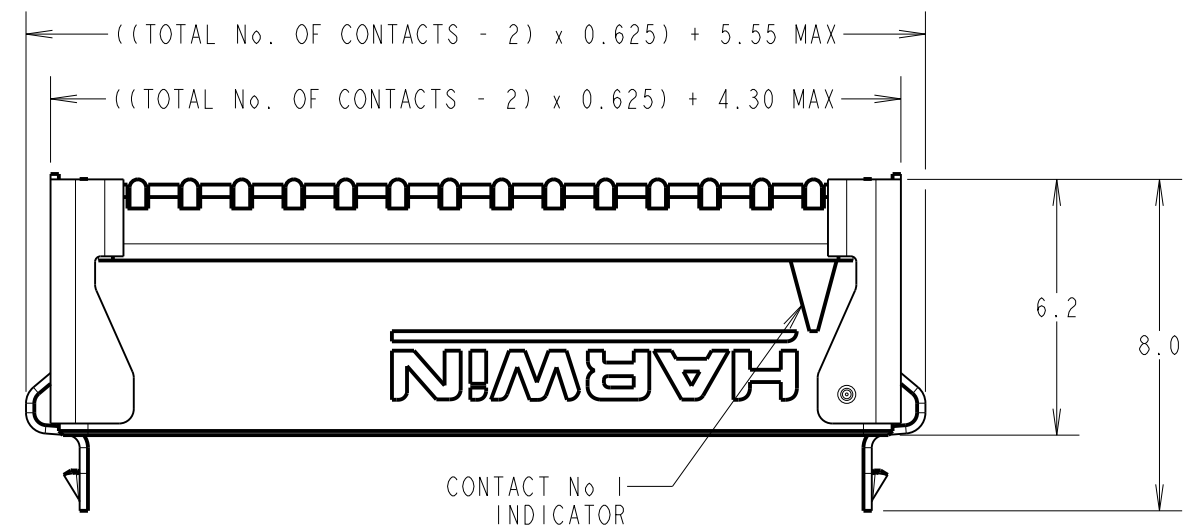
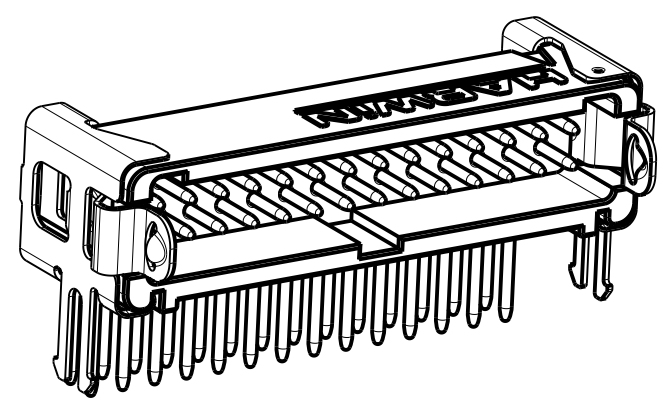
IF IN DOUBT - ASK

©

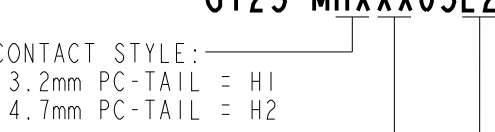
NOT TO SCALE

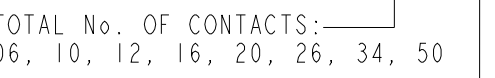
THIRD ANGLE PROJECTION


ALL DIMENSIONS IN mm



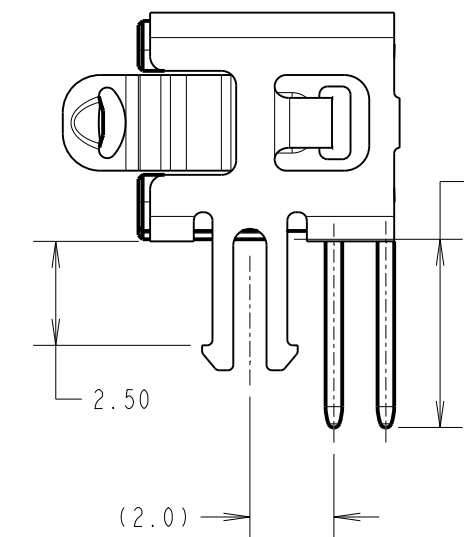
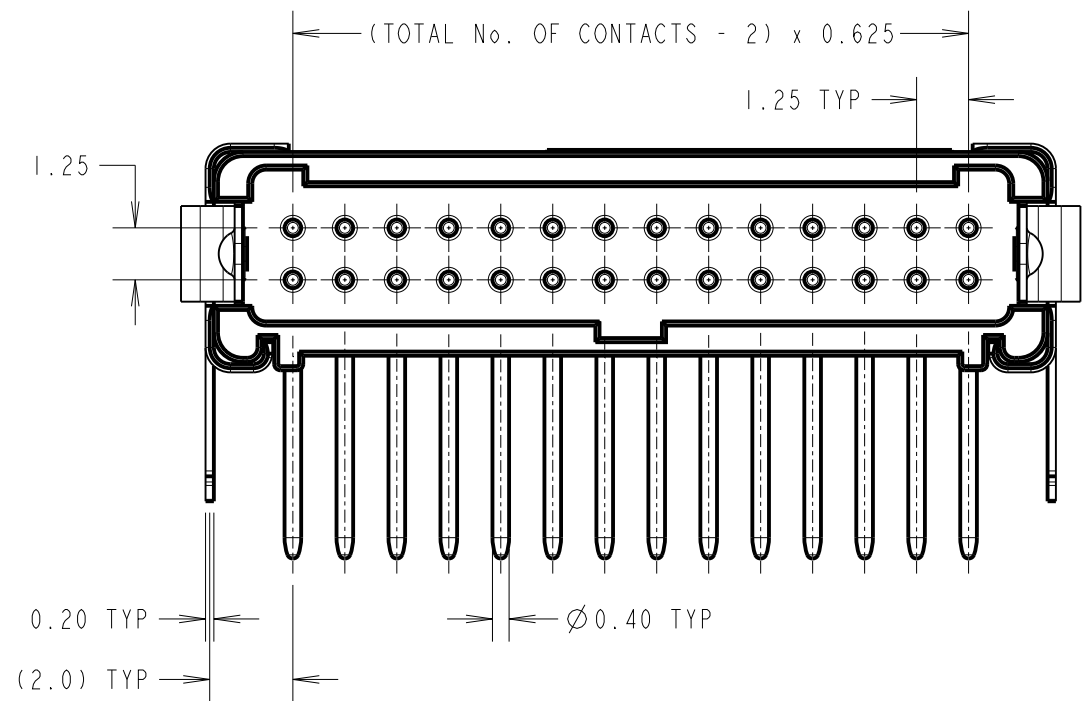
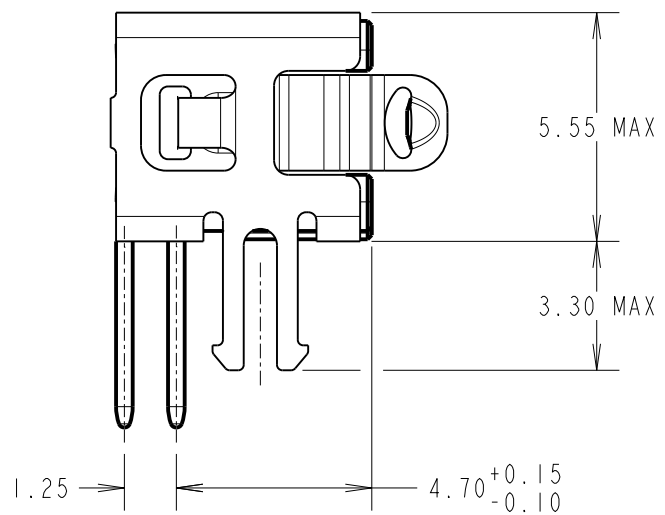
ORDER CODE: **G125-MHXXX05L2R**

CONTACT STYLE: 
 3.2mm PC-TAIL = H1
 4.7mm PC-TAIL = H2

TOTAL No. OF CONTACTS: 
 06, 10, 12, 16, 20, 26, 34, 50

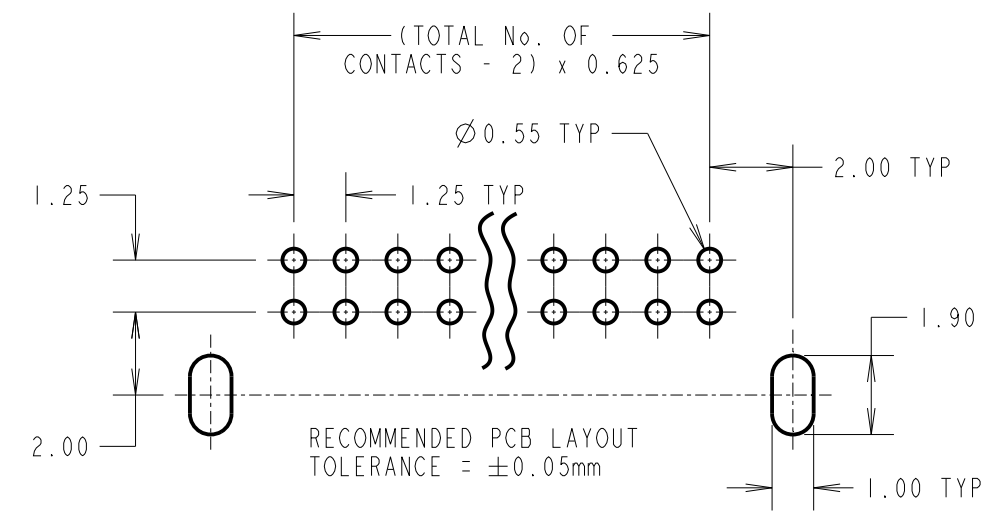
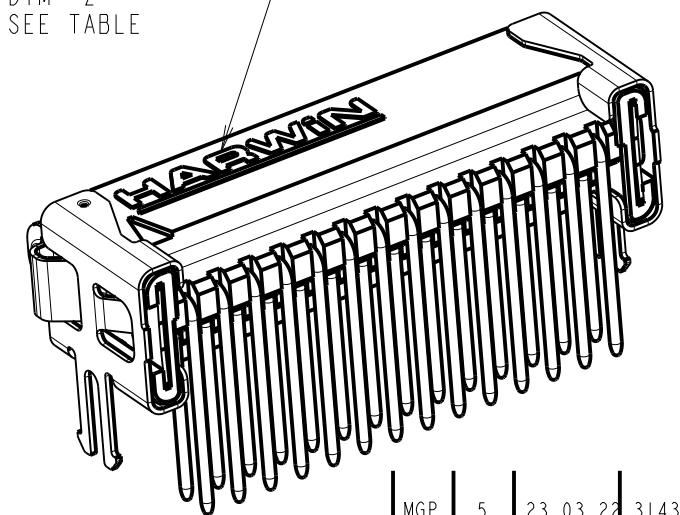
LATCHES: 
 2.5mm BOARD MOUNT & LATCHES = L2

CONTACT STYLE	DIM 'Z'
H1	3.2±0.15
H2	4.7±0.15



DIM 'Z' SEE TABLE

FULL LOGO ONLY ON 20 TO 50 WAY.
 'H' ON 6 & 10 WAY.
 'HWN' ON 12 & 16 WAY.



**CONNECTOR DETAILS AND PCB LAYOUT ONLY.
 SEE SHEET 6 FOR TAPE AND REEL DETAILS.**

NOTES:
 1. FOR COMPLETE SPECIFICATION, SEE COMPONENT SPECIFICATION C125XX (LATEST ISSUE).
 SEE G125-SERIES CONNECTORS SPECIFICATION SHEET FOR MATERIALS, FINISH AND SPECIFICATION SUMMARY.

MGP	5	23.03.22	31438
NAME	ISS.	DATE	CN/CO
APPROVED: MGP			
CHECKED: MR			
DRAWN: MARK G PLESTED			
CUSTOMER REF.:			
ASSEMBLY DRG:			

HARWIN

www.harwin.com
 technical@harwin.com

THIS DRAWING AND ANY INFORMATION OR DESCRIPTIVE MATTER SET OUT HEREON ARE CONFIDENTIAL AND COPYRIGHT PROPERTY OF THE HARWIN GROUP AND MUST NOT BE DISCLOSED, LOANED, COPIED OR USED FOR MANUFACTURING, TENDERING OR FOR ANY OTHER PURPOSE WITHOUT THEIR WRITTEN PERMISSION.

TOLERANCES
 X. = ±1mm
 X.X = ±0.50mm
 X.XX = ±0.20mm
 X.XXX = ±0.01mm
 ANGLES = ±5°
 UNLESS STATED

MATERIAL: SEE NOTE 1
 FINISH: SEE NOTE 1
 S/AREA: mm²

TITLE:
 G125 MALE HORIZONTAL PC TAIL SERIES IN TAPE & REEL

DRAWING NUMBER:
G125-MHXXX05L2R

SHT 5 OF 6

Customer Information Sheet

DRAWING No.: G125-MHXXX05L2R

IF IN DOUBT - ASK

©

NOT TO SCALE

THIRD ANGLE PROJECTION

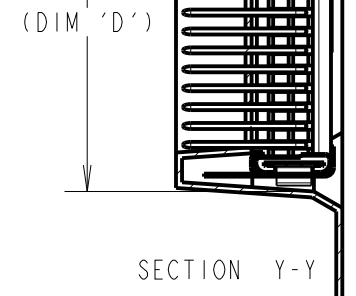
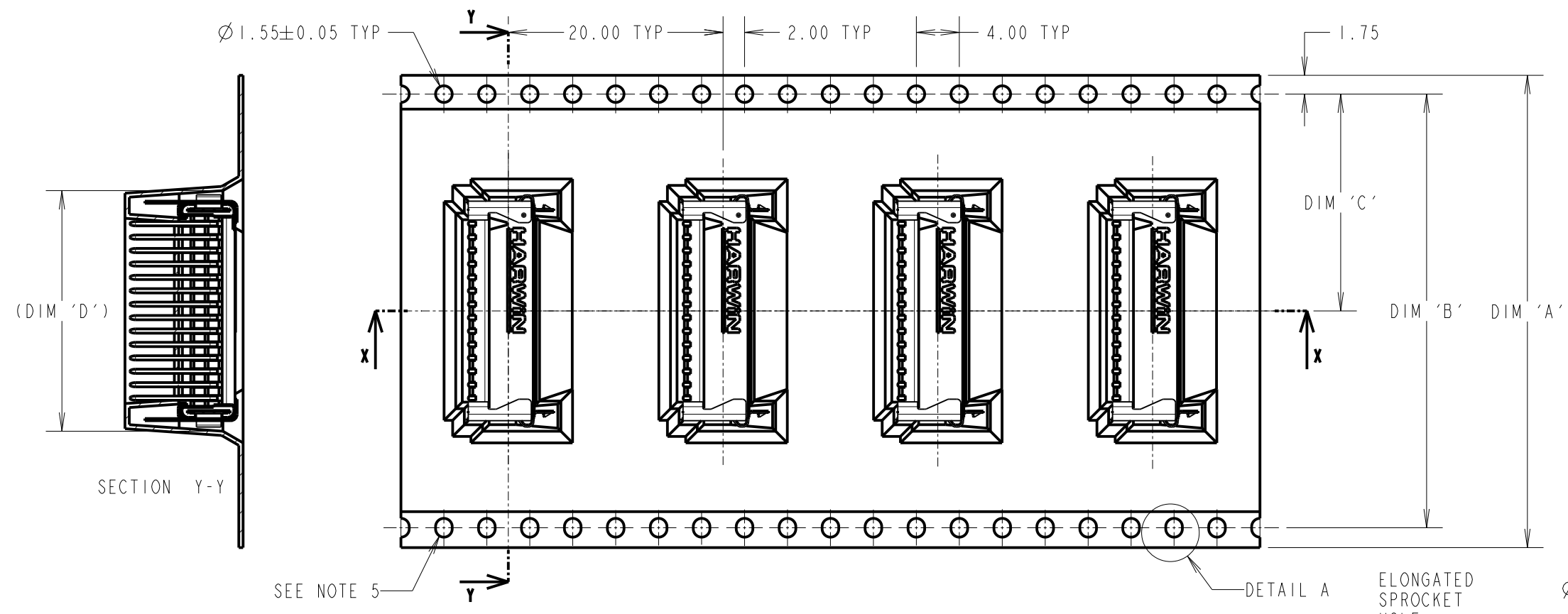
ALL DIMENSIONS IN mm

ORDER CODE: **G125-MHXXX05L2R**

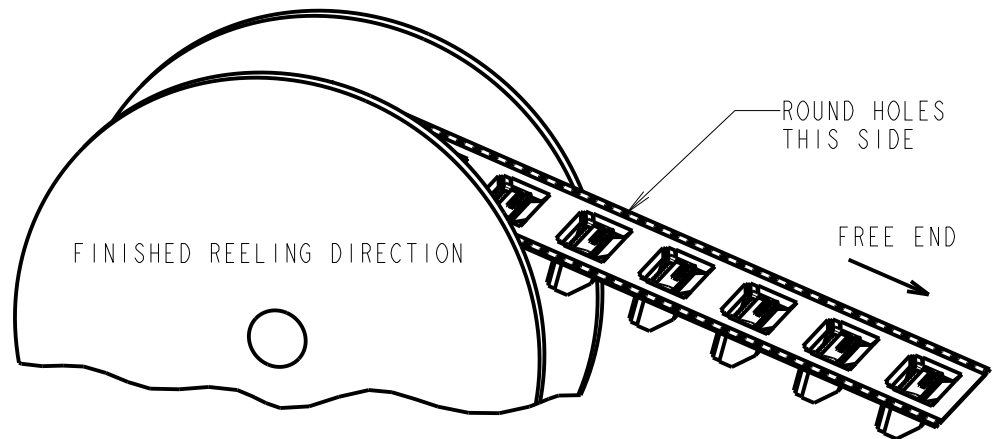
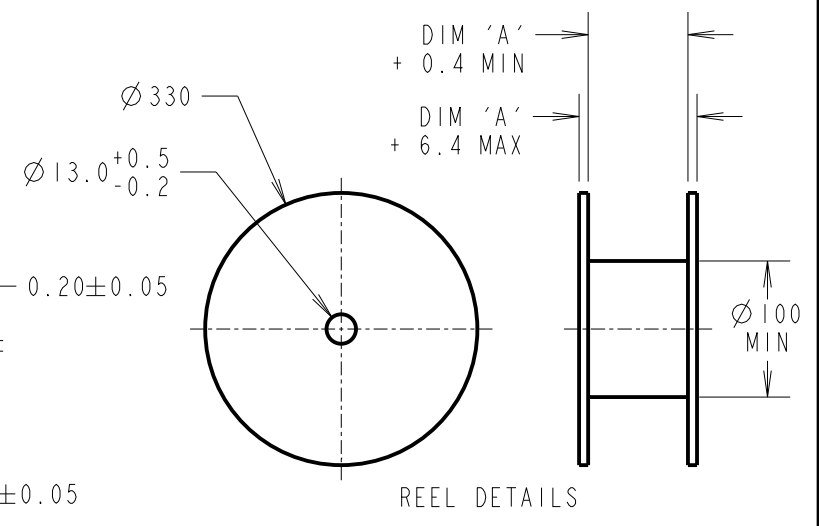
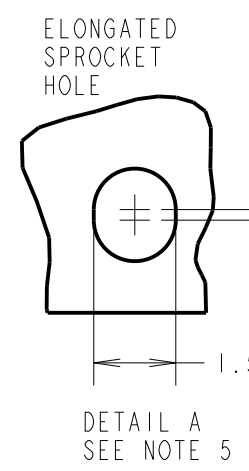
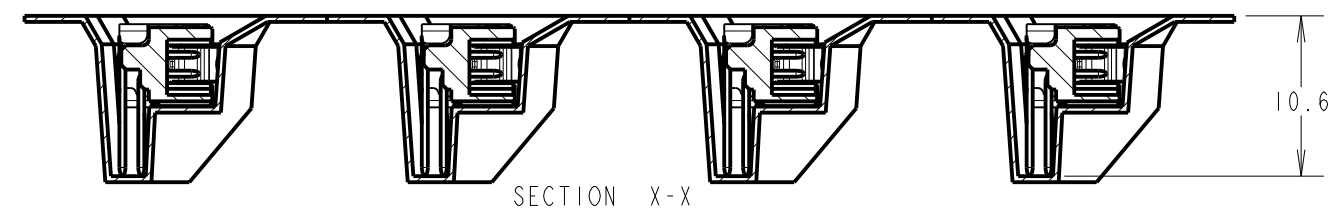
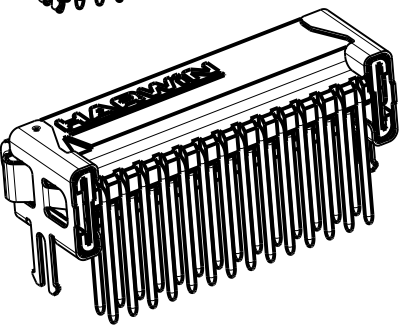
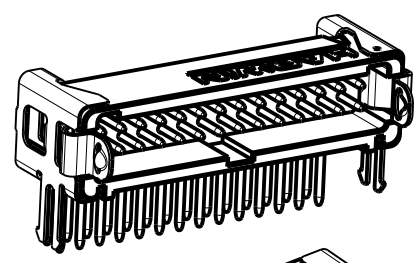
CONTACT STYLE: _____
 3.2mm PC-TAIL = H1
 4.7mm PC-TAIL = H2

TOTAL No. OF CONTACTS: _____
 06, 10, 12, 16, 20, 26, 34, 50

LATCHES: _____
 2.5mm BOARD MOUNT & LATCHES = L2



SEE NOTE 5



REELED PART No.	DIM 'A'	DIM 'B'	DIM 'C'	DIM 'D'
G125-MHX0605L2R	24.0	NO ELONGATED HOLE	11.50	8.5
G125-MHX1005L2R	+0.3/-0.1			11.0
G125-MHX1205L2R	32.0±0.3	28.40	14.20	12.2
G125-MHX1605L2R				14.7
G125-MHX2005L2R				17.2
G125-MHX2605L2R	44.0±0.3	40.40	20.2±0.15	21.0
G125-MHX3405L2R				26.0
G125-MHX5005L2R	56.0±0.3	52.40	26.2±0.15	36.0

- NOTES:
1. QUANTITY OF COMPONENTS PER REEL = 250.
 2. FOR OTHER QUANTITIES SEE G125-MHXXX05L2P.
 3. THIS PRODUCT IS TAPED AND REELED IN GENERAL ACCORDANCE WITH EIA-481-2-A (ELECTRONIC INDUSTRIES ASSOCIATION).
 4. FOR COMPLETE SPECIFICATION, SEE COMPONENT SPECIFICATION C125XX (LATEST ISSUE).
 5. ELONGATED SPROCKET HOLE NOT PRESENT ON 06 & 10 POSITIONS.
 6. SEE SHEET 5 FOR CONNECTOR DETAILS.

HARWIN

www.harwin.com
 technical@harwin.com

THIS DRAWING AND ANY INFORMATION OR DESCRIPTIVE MATTER SET OUT HEREON ARE CONFIDENTIAL AND COPYRIGHT PROPERTY OF THE HARWIN GROUP AND MUST NOT BE DISCLOSED, LOANED, COPIED OR USED FOR MANUFACTURING, TENDERING OR FOR ANY OTHER PURPOSE WITHOUT THEIR WRITTEN PERMISSION.

TOLERANCES
 X. = ±1mm
 X.X = ±0.50mm
 X.XX = ±0.20mm
 X.XXX = ±0.01mm
 ANGLES = ±5°
 UNLESS STATED

MATERIAL: SEE SHEET 5
 FINISH: SEE SHEET 5
 S/AREA: mm²

TITLE: G125 MALE HORIZONTAL PC TAIL SERIES IN TAPE & REEL
 DRAWING NUMBER: **G125-MHXXX05L2R**
 SHEET 6 OF 6

MGP	5	23.03.22	31438
NAME	ISS.	DATE	CN/CO
APPROVED: MGP			
CHECKED: MR			
DRAWN: MARK G PLESTED			
CUSTOMER REF.:			
ASSEMBLY DRG:			