

DBAS 979 G - XX - XX X N XX \*\*\*\*

CONNECTOR TYPE

SHELL TYPE  
79 - Rack and Panel

GROUNDING CONTINUITY INDEX  
Without Index No RFI Fingers  
With G Index With RFI Fingers

SHELL SIZE  
9-11-13-15-17-19-21-23-25

ARRANGEMENTS

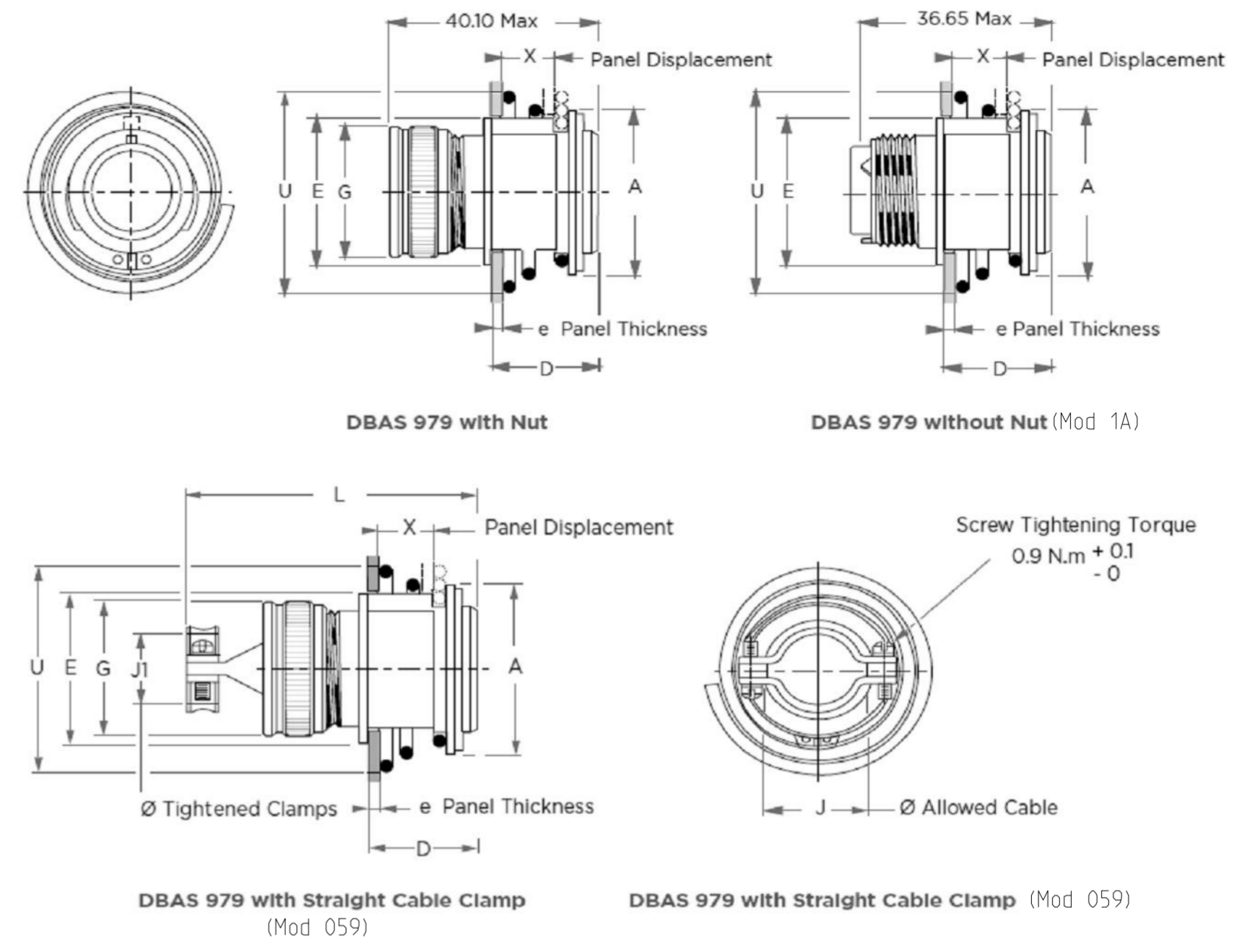
CONTACT TYPE  
P Pin Contact  
S Socket Contact

INSERT CLOCKING POSITION  
N - Normal

KEY ORIENTATION  
DA, DB, DC, DD, DE, DF, DG

SPECIAL MODIFICATIONS  
1A Without nut  
059 Straight cable clamp  
081 Elbowed cable clamp  
090 Without contact  
395 Kerosene-resistant insert  
A083 Potting cup  
A838 Olive drab cadmium  
\*\*\*\*\* For other modifications, consult TE.

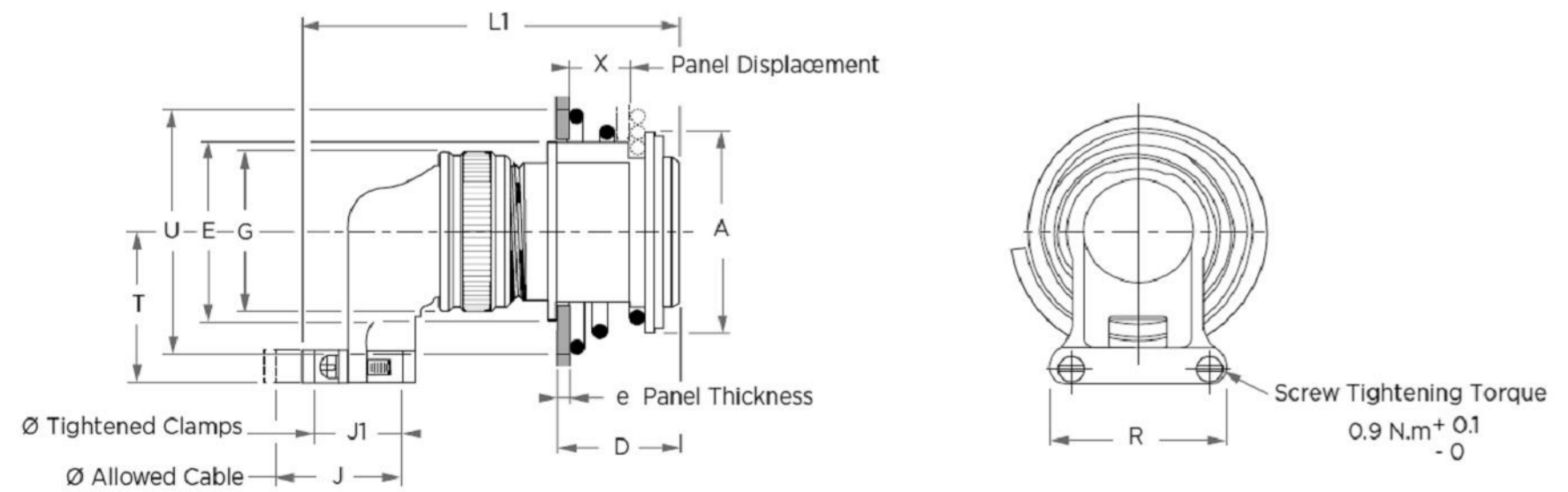
DBAS 979-RACK AND PANEL / WITH STRAIGHT CABLE CLAMP



CHARACTERISTICS

1. Shell Material : Aluminium alloy, Nickel plated.
2. RFI ring Material : Beryllium Copper, Nickel plated.
3. Insert Material : Thermoplastic and Fluorinated silicone
4. Contact : Crimp Type, Gold over Nickel plated.
5. Service Temperature : -55°C to +200°C

DBAS 979-WITH ELBOWED CABLE CLAMP (MOD 081)



| Part Number Reference | Part Number without Nut | Part Number with Straight Cable Clamp | A Max | D Max | E Max* | G Max | With Straight Cable Clamp |        |       | U Max | X Max     | Compression Force for X |           |
|-----------------------|-------------------------|---------------------------------------|-------|-------|--------|-------|---------------------------|--------|-------|-------|-----------|-------------------------|-----------|
|                       |                         |                                       |       |       |        |       | J Max                     | J1 Max | L Max |       |           |                         |           |
| DBAS 979-09-** P/S*   | DBAS 979-09-** P/S * 1A | DBAS 979-09-** P/S * 059              | 22.45 | 21    | 19.3   | 17    | 6.6                       | 5.15   | 49.1  | 31    | 13.95 - e | 1.6 daN.m               | 0.3 daN.m |
| DBAS 979-11-** P/S*   | DBAS 979-11-** P/S * 1A | DBAS 979-11-** P/S * 059              | 29.6  | 20.8  | 24.4   | 21.8  | 12.75                     | 10.55  | 49.1  | 34.3  | 12.3 - e  | 3.3 daN.m               | 0.7 daN.m |
| DBAS 979-13-** P/S*   | DBAS 979-13-** P/S * 1A | DBAS 979-13-** P/S * 059              | 31.9  | 20.8  | 27.25  | 25    | 14.6                      | 12.05  | 55.1  | 39.75 | 12.45 - e | 5 daN.m                 | 1.2 daN.m |
| DBAS 979-15-** P/S*   | DBAS 979-15-** P/S * 1A | DBAS 979-15-** P/S * 059              | 35.15 | 20.8  | 32     | 28.25 | 17.8                      | 15.85  | 55.1  | 43.4  | 12.15 - e | 8.7 daN.m               | 1.9 daN.m |
| DBAS 979-17-** P/S*   | DBAS 979-17-** P/S * 1A | DBAS 979-17-** P/S * 059              | 38.7  | 20.6  | 35.75  | 30.95 | 19.8                      | 17.95  | 55.1  | 47.15 | 11.8 - e  | 11.8 daN.m              | 2.7 daN.m |
| DBAS 979-19-** P/S*   | DBAS 979-19-** P/S * 1A | DBAS 979-19-** P/S * 059              | 38.7  | 20.6  | 35.75  | 30.95 | 19.8                      | 17.95  | 55.1  | 47.15 | 11.8 - e  | 11.8 daN.m              | 2.7 daN.m |
| DBAS 979-21-** P/S*   | DBAS 979-21-** P/S * 1A | DBAS 979-21-** P/S * 059              | 45.95 | 20.6  | 40.6   | 34.15 | 23                        | 21.05  | 55.1  | 53.5  | 11.6 - e  | 15.6 daN.m              | 5 daN.m   |
| DBAS 979-23-** P/S*   | DBAS 979-23-** P/S * 1A | DBAS 979-23-** P/S * 059              | 54.4  | 20.4  | 40.4   | 42    | 30.1                      | 27.45  | 55.1  | 72    | 9.35 - e  | 22 daN.m                | 6.1 daN.m |
| DBAS 979-25-** P/S*   | DBAS 979-25-** P/S * 1A | DBAS 979-25-** P/S * 059              | 54.4  | 20.4  | 40.4   | 42    | 30.1                      | 27.45  | 55.1  | 72    | 9.35 - e  | 22 daN.m                | 6.1 daN.m |

| Part Number with Elbowed Cable Clamp | A Max | D Max | E Max* | G Max | J Max | J1 Max | L1 Max | R Max | T Max | U Max | X Max     | Compression Force for X |           |
|--------------------------------------|-------|-------|--------|-------|-------|--------|--------|-------|-------|-------|-----------|-------------------------|-----------|
|                                      |       |       |        |       |       |        |        |       |       |       |           | Max                     | Nut       |
| DBAS 979-09-** P/S * 081             | 22.45 | 21    | 19.3   | 17    | 6.6   | 5.15   | 53.25  | 17.4  | 21.4  | 31    | 13.95 - e | 1.6 daN.m               | 0.3 daN.m |
| DBAS 979-11-** P/S * 081             | 29.6  | 20.8  | 24.4   | 21.8  | 12.75 | 10.55  | 58.35  | 23.6  | 23.8  | 34.3  | 12.3 - e  | 3.3 daN.m               | 0.7 daN.m |
| DBAS 979-13-** P/S * 081             | 31.9  | 20.8  | 27.25  | 25    | 14.6  | 12.05  | 60.6   | 25.5  | 25.3  | 39.75 | 12.45 - e | 5 daN.m                 | 1.2 daN.m |
| DBAS 979-15-** P/S * 081             | 35.15 | 20.8  | 32     | 28.25 | 17.8  | 15.85  | 64     | 29.7  | 26.8  | 43.4  | 12.15 - e | 8.7 daN.m               | 1.9 daN.m |
| DBAS 979-17-** P/S * 081             | 38.7  | 20.6  | 35.75  | 30.95 | 19.8  | 17.95  | 67.45  | 32.6  | 28.3  | 47.15 | 11.8 - e  | 11.8 daN.m              | 2.7 daN.m |
| DBAS 979-19-** P/S * 081             | 38.7  | 20.6  | 35.75  | 30.95 | 19.8  | 17.95  | 67.45  | 32.6  | 28.3  | 47.15 | 11.8 - e  | 11.8 daN.m              | 2.7 daN.m |
| DBAS 979-21-** P/S * 081             | 45.95 | 20.6  | 40.6   | 34.15 | 23    | 21.05  | 70.8   | 36    | 29.9  | 53.5  | 11.6 - e  | 15.6 daN.m              | 5 daN.m   |
| DBAS 979-23-** P/S * 081             | 54.4  | 20.4  | 40.4   | 42    | 30.1  | 27.45  | 77.4   | 42.8  | 33.5  | 72    | 9.35 - e  | 22 daN.m                | 6.1 daN.m |
| DBAS 979-25-** P/S * 081             | 54.4  | 20.4  | 40.4   | 42    | 30.1  | 27.45  | 77.4   | 42.8  | 33.5  | 72    | 9.35 - e  | 22 daN.m                | 6.1 daN.m |

|     |                     |      |     |      |
|-----|---------------------|------|-----|------|
| A   | PRELIMINARY RELEASE | -    | MB  | RS   |
| LTR | REVISION RECORD     | DATE | DWN | APVD |

|                  |  |
|------------------|--|
| DIMENSIONS:      | TOLERANCES UNLESS OTHERWISE SPECIFIED: |
| mm               |  |
| 0 PLC            | ±                                      |
| 1 PLC            | ±0.1                                   |
| 2 PLC            | ±0.01                                  |
| 3 PLC            | ±0.001                                 |
| 4 PLC            | ±0.0001                                |
| ANGLES:          | -                                      |
| SURFACE TEXTURE: | √                                      |

|       |                         |          |    |            |             |
|-------|-------------------------|----------|----|------------|-------------|
| DWN   | 22NOV2021               | MATERIAL | -  | HEAT TREAT | -           |
| CHK   | 22NOV2021               |          |    |            |             |
| APVD  | 23NOV2021               |          |    |            |             |
| NAME  | DBAS 979_RACK AND PANEL |          |    |            |             |
| SCALE | 1:1                     | SIZE     | A2 | DRAWING NO | DBAS-979-XX |
| SHEET | 1                       | OF       | 1  | REV        | 1           |

THIS INFORMATION IS CONFIDENTIAL AND PROPRIETARY TO TE CONNECTIVITY LTD. AND ITS WORLDWIDE SUBSIDIARIES AND AFFILIATES (TE). IT MAY NOT BE DISCLOSED TO ANYONE, OTHER THAN TE PERSONNEL, WITHOUT AUTHORIZATION FROM TE (www.te.com).