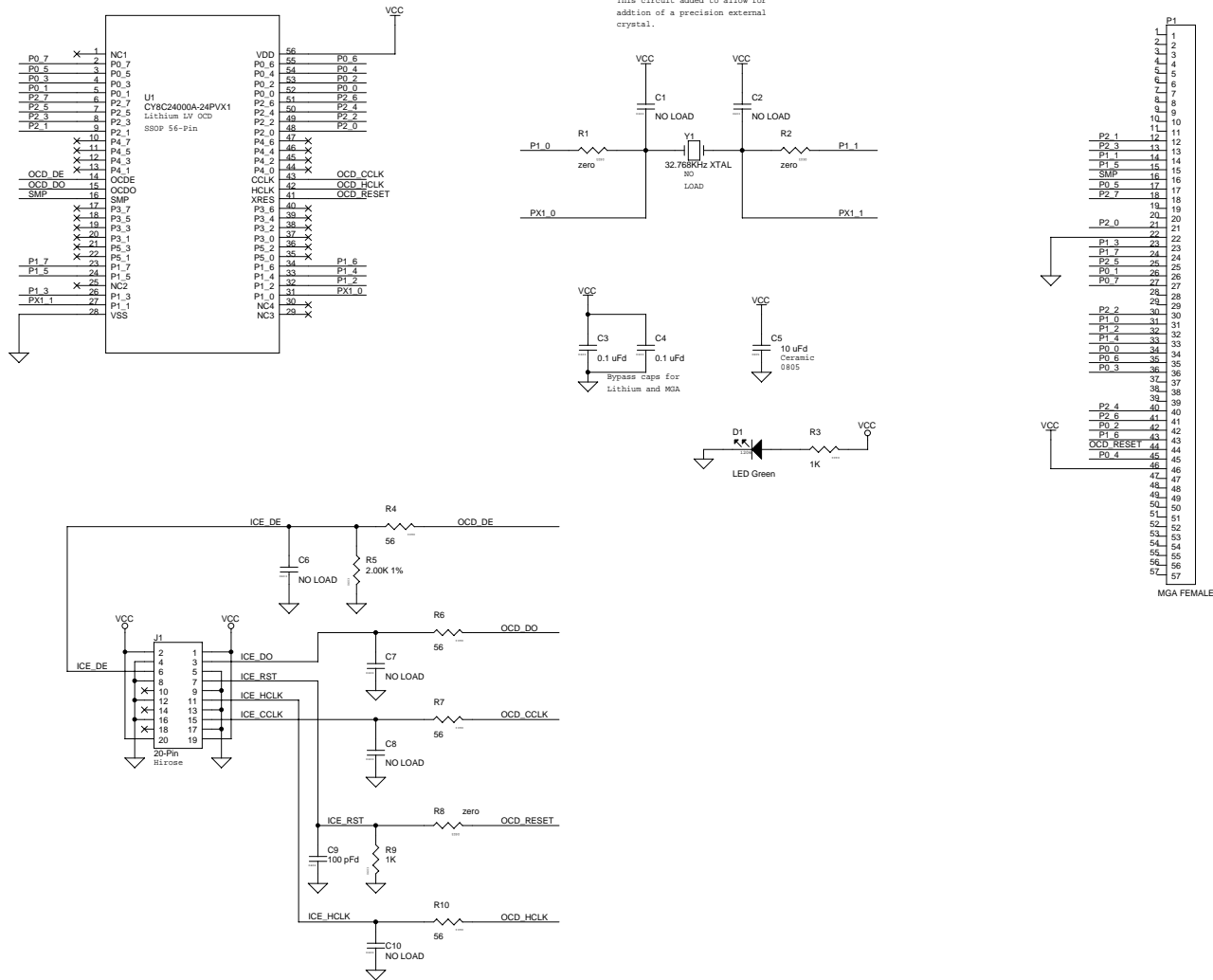


Revision History

Rev 0.1 - Original
 Rev 0.2 - Changed reference designators to match the Diamond non-QFN schematic (REF-13643).

Lithium LV NON QFN POD Schematic



PCB: PDC-9350 **
 PCA: 121R-35001 **

CYPRESS SEMICONDUCTOR © 2005		
Lithium LV NON QFN POD		
Size C	Document Number REF-13644	Rev 0.2
Date: Tuesday, July 25, 2006	Sheet 1	of 1