

4

3

2

1

THIS DRAWING IS UNPUBLISHED.

RELEASED FOR PUBLICATION

REVISIONS

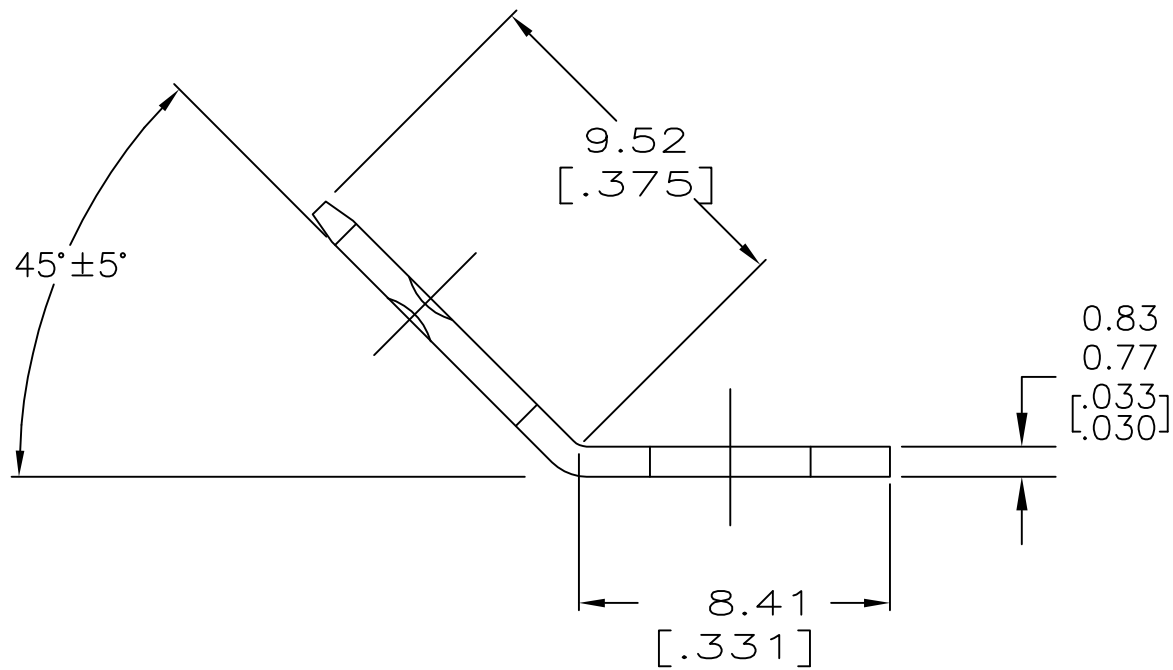
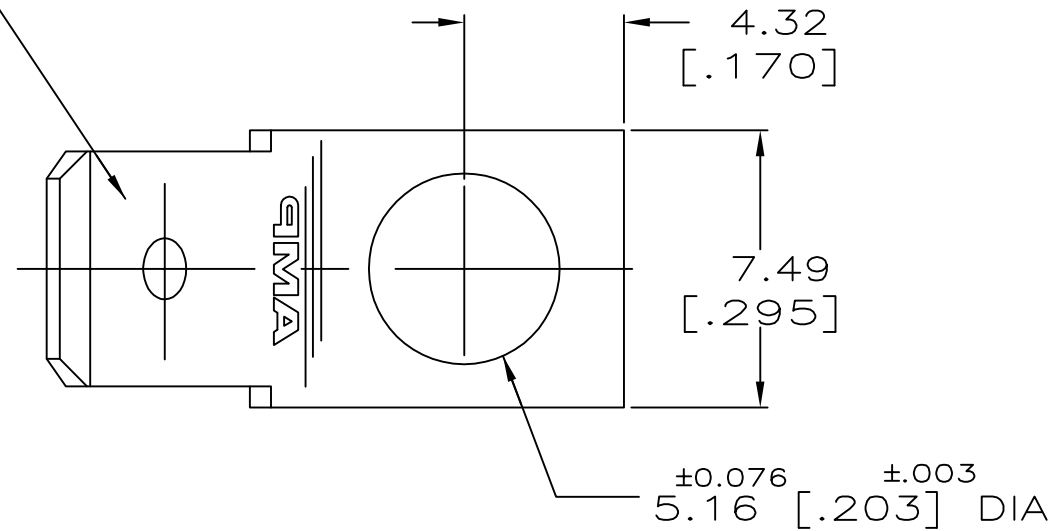
© COPYRIGHT - By -

ALL RIGHTS RESERVED.

P	LTR	DESCRIPTION	DATE	DWN	APVD
	D2	REVISED PER ECR-17-010001	14JUL2017	BW	DH


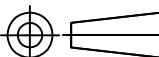
1. SUPPLIED IN LOOSE PIECE.

FITS 6.35 [.250] SERIES FASTON RECEPTACLE



61365-1

PART NO

THIS DRAWING IS A CONTROLLED DOCUMENT.		DWN	JR RUTH	11/12/91	 TE Connectivity					
DIMENSIONS: mm[INCHES]		CHK	MS FEHER	11/12/91				NAME TAB, FASTON,™ 6.35 [.250] SERIES		
		APVD	C MEYERS	11/12/91						
MATERIAL 082 BRASS		TOLERANCES UNLESS OTHERWISE SPECIFIED:		WEIGHT		SIZE	CAGE CODE	DRAWING NO	RESTRICTED TO	
		0 PLC ± -		-		A3	00779	C=61365	-	
		1 PLC ± -		-		CUSTOMER DRAWING		SCALE	SHEET	REV
		2 PLC ± 0.25 [.010]		-				5:1	1 OF 1	D2
		3 PLC ± -		-						
		4 PLC ± -		-						
		ANGLES ± -		-						
		FINISH		TIN						