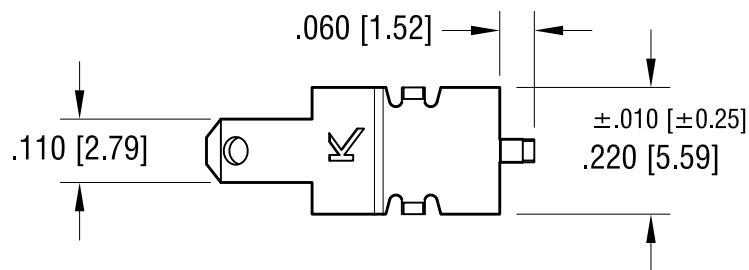
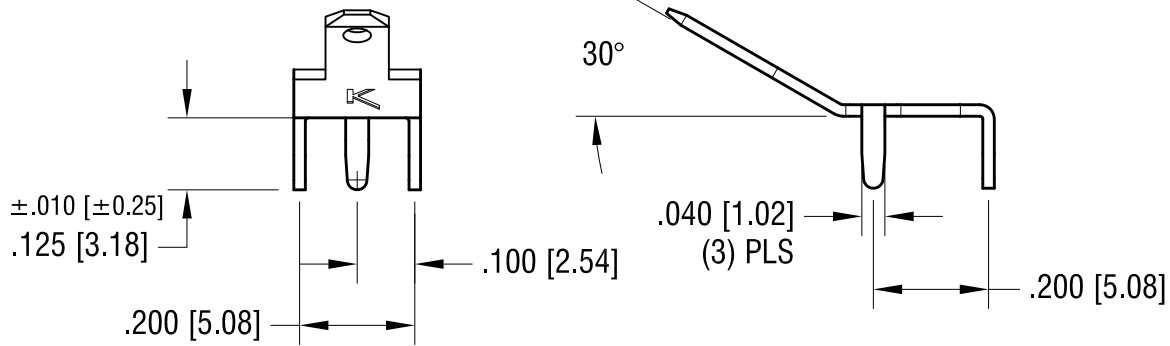
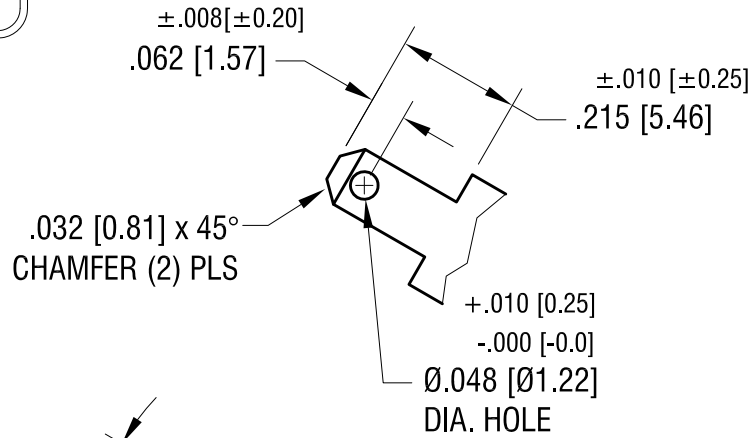
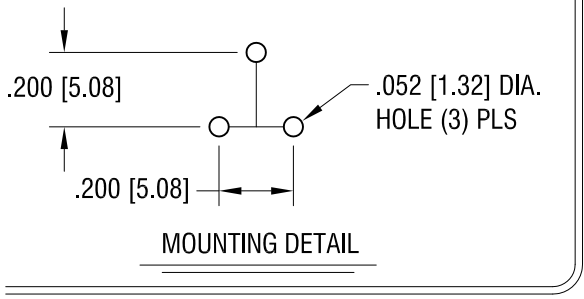
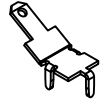


THIS DOCUMENT IS THE PROPERTY OF  
KEYSTONE ELECTRONICS CORP. AND  
SHALL NOT BE REPRODUCED, DISTRIBUTED  
OR USED AS A BASIS FOR MANUFACTURE  
WITHOUT PRIOR WRITTEN PERMISSION  
FROM KEYSTONE ELECTRONICS CORP.

**ACTUAL SIZE**



**FILE NUMBER: E201546**

<b>KEYSTONE ELECTRONICS CORP.</b>			
www.keyelco.com • NEW HYDE PARK NY 11040 • Tel (516)328-7500			
PART NAME <b>.110 [2.80] PC QUICK-FIT TERMINAL</b>			
MATERIAL <b>.020 [0.50] TH'K BRASS</b>			
FINISH <b>MATTE TIN PLATE</b>		DRN BY <b>NT</b>	DATE <b>5.20.13</b>
		APP'D <b>MR</b>	SCALE <b>3X</b>
TOLERANCES INCH [MM]	DECIMAL <b>± .005 [± 0.13]</b>	CODE <b>C</b>	DWG NO. <b>4916</b>
ANGULAR <b>± 1°</b>		UNLESS OTHERWISE SPECIFIED	

DATE	DESCRIPTION	REV.
------	-------------	------