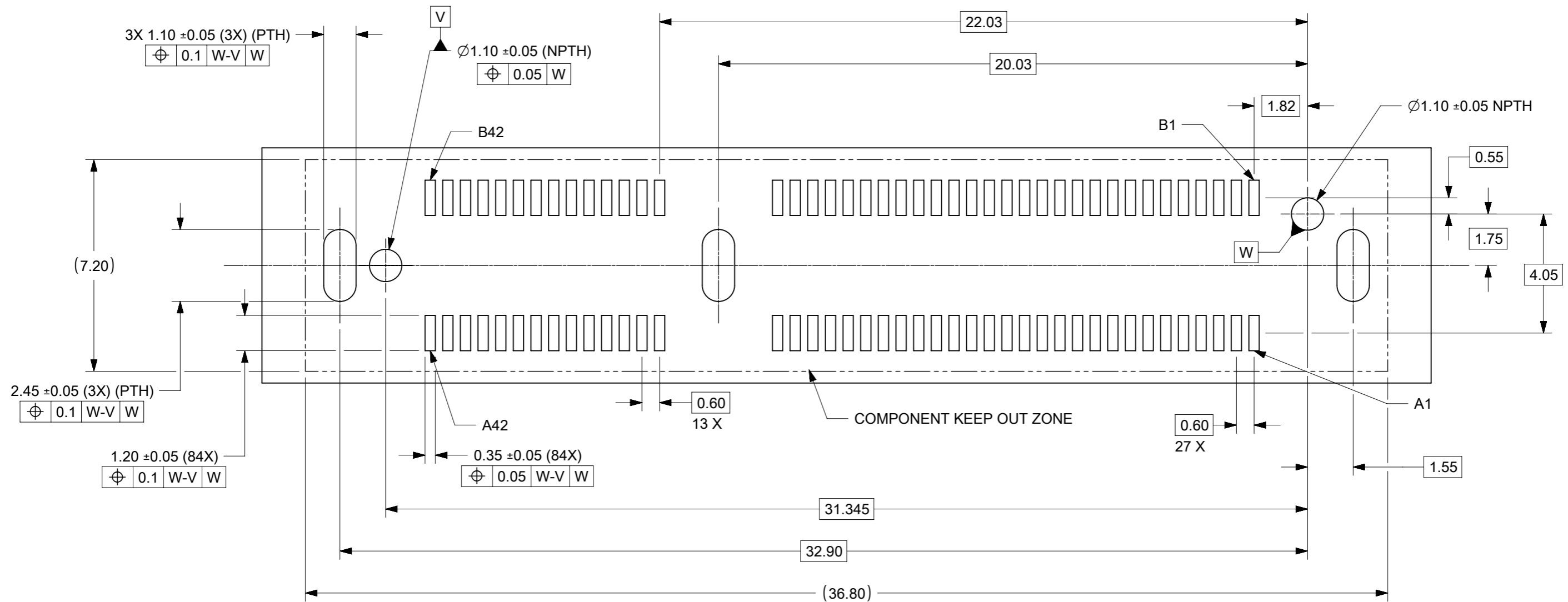


- NOTES:
- MATERIAL:  
HOUSING - GLASS FILLED LIQUID CRYSTAL POLYMER, 94-V0, BLACK  
TERMINALS - COPPER ALLOY
  - FINISH : REFER TABLE
  - PRODUCT SPECIFICATION : REFER TABLE
  - PACKAGING SPECIFICATION : REFER TABLE  
PRODUCT SHALL BE PACKED IN TAPE AND REEL, SEE TABLE
  - APPLICATION SPECIFICATION : REFER TABLE
  - MATING CARD THICKNESS : 1.57 ±0.13mm
  - MOLEX LOGO, DATECODE & PART NUMBER INDICATED ON HOUSING.

THIS DESIGN IS BASED ON DESIGN OBJECTIVES AND IS STRICTLY TENTATIVE. IT MAY CHANGE BASED ON RESULT OF ADDITIONAL DESIGN REVIEWS AND VERIFICATIONS

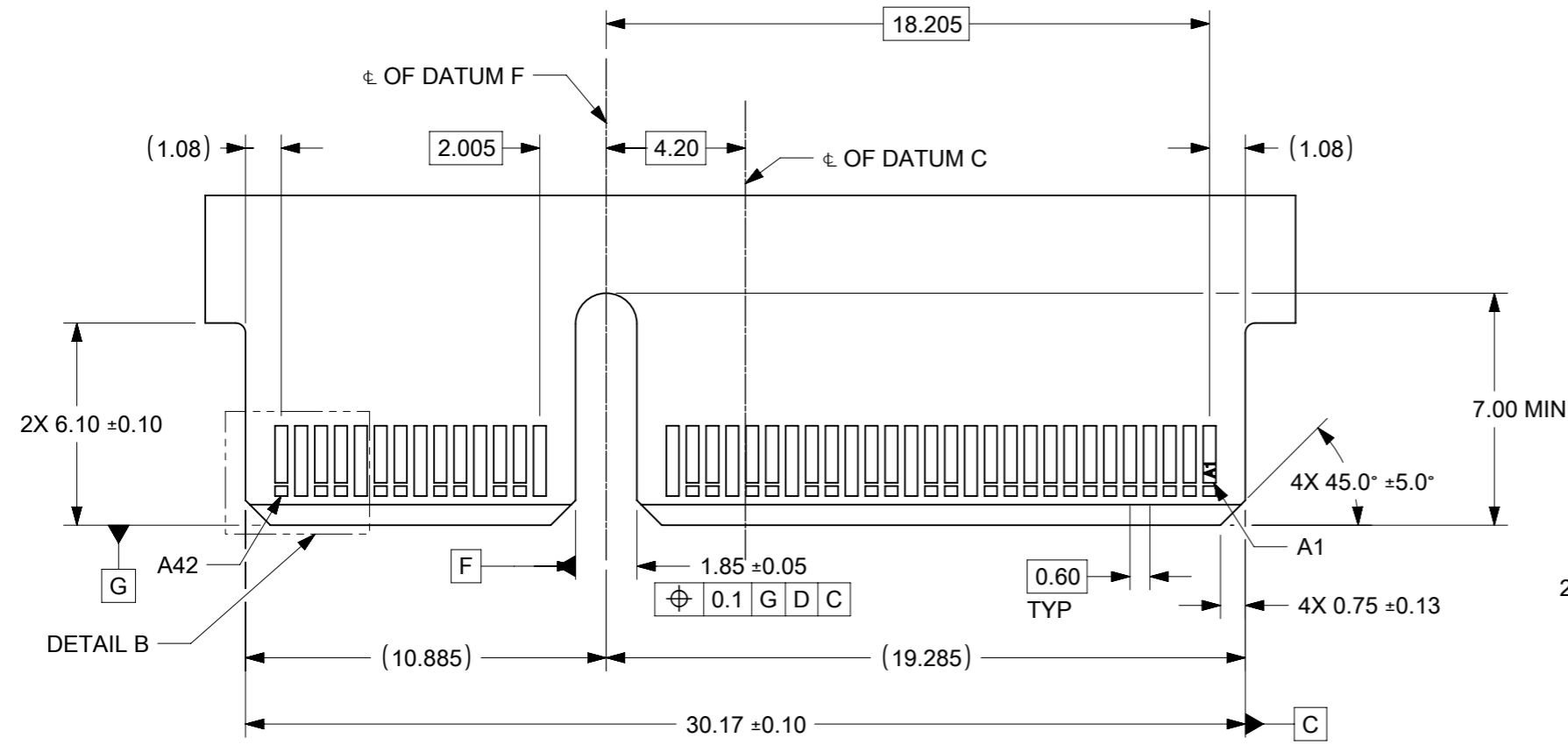
THIS DRAWING CONTAINS INFORMATION THAT IS PROPRIETARY TO MOLEX ELECTRONIC TECHNOLOGIES, LLC AND SHOULD NOT BE USED WITHOUT WRITTEN PERMISSION		CURRENT REV DESC: REVISED		<b>molex</b>	
DIMENSION UNITS	SCALE				
mm	NTS			SALES DRAWING, VERT, 84 POS EDGE LINE SLIVER, 2C, SMT (1.57 EDGE CARD)	
GENERAL TOLERANCES (UNLESS SPECIFIED)		EC NO: 681033		PRODUCT CUSTOMER DRAWING	
ANGULAR TOL	± 3.0°	DRWN: JAKEEMEW	2021/10/12	DOCUMENT NUMBER	
4 PLACES	±	CHK'D: CCTEH	2021/10/12	2066530084	
3 PLACES	±	APPR: SHLENI	2021/10/18	DOC TYPE	DOC PART
2 PLACES	± 0.2	INITIAL REVISION:		PSD	000
1 PLACE	±	DRWN: KUCHILA	2018/01/30	REVISION	
0 PLACES	±	APPR: SHLENI	2019/01/15	C	
DRAFT WHERE APPLICABLE MUST REMAIN WITHIN DIMENSIONS	THIRD ANGLE PROJECTION	DRAWING	SERIES	MATERIAL NUMBER	CUSTOMER
		A3-SIZE	206653	SEE TABLE	GENERAL MARKET
		SHEET NUMBER	1 OF 4		

# RECOMMENDED 2C PCB FOOT PRINT AS PER SFF TA-1002 CONNECTOR SPECIFICATION

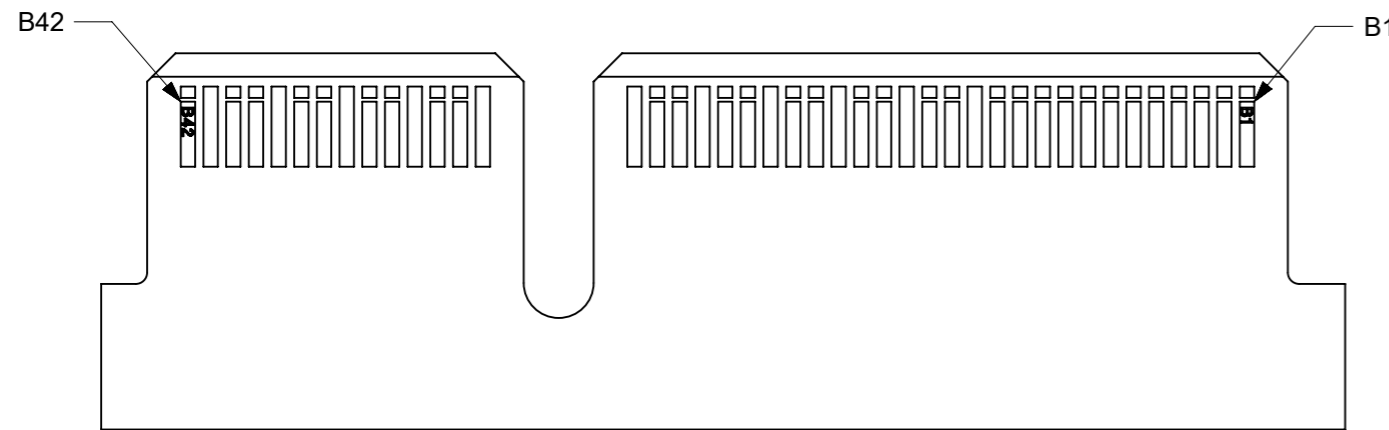
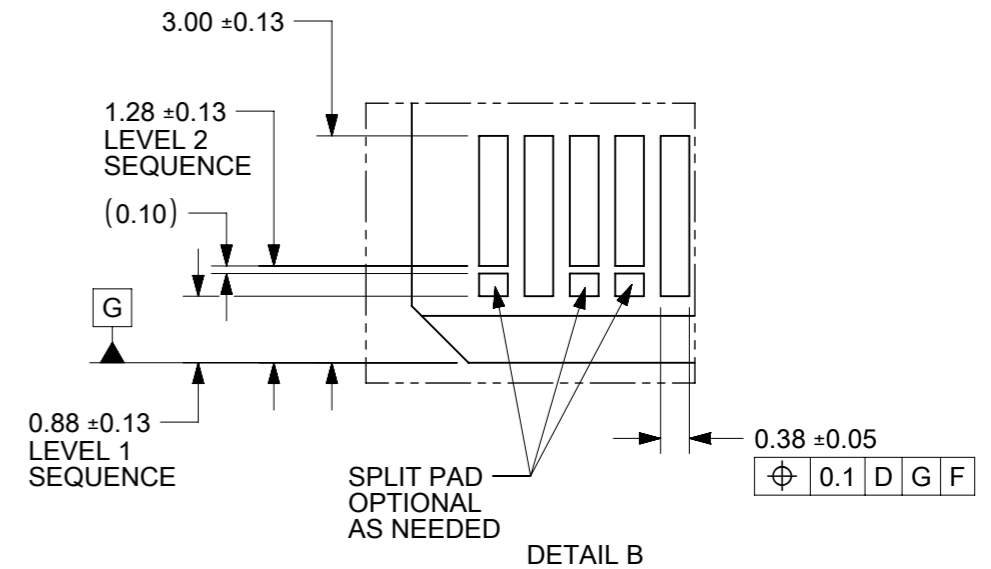
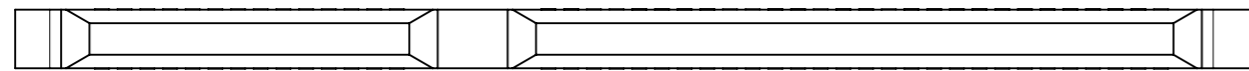
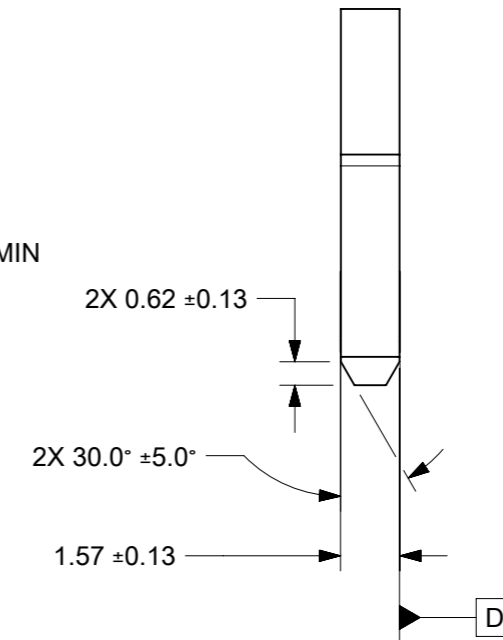


THIS DRAWING CONTAINS INFORMATION THAT IS PROPRIETARY TO MOLEX ELECTRONIC TECHNOLOGIES, LLC AND SHOULD NOT BE USED WITHOUT WRITTEN PERMISSION									
DIMENSION UNITS		SCALE		CURRENT REV DESC: REVISED					
mm		NTS		<b>molex</b>					
GENERAL TOLERANCES (UNLESS SPECIFIED)				SALES DRAWING, VERT, 84 POS EDGELINE SLIVER, 2C, SMT (1.57 EDGE CARD)					
ANGULAR TOL ± 3.0°				PRODUCT CUSTOMER DRAWING					
4 PLACES ±				EC NO: 681033		2021/10/12		DOCUMENT NUMBER	
3 PLACES ±				DRWN: JAKEEMEW		2021/10/12		2066530084	
2 PLACES ± 0.2				CHK'D: CCTEH		2021/10/12		DOC TYPE	
1 PLACE ±				APPR: SHLENI		2021/10/18		DOC PART	
0 PLACES ±				INITIAL REVISION:				REVISION	
DRAFT WHERE APPLICABLE MUST REMAIN WITHIN DIMENSIONS				DRWN: KUCHILA		2018/01/30		000	
THIRD ANGLE PROJECTION				APPR: SHLENI		2019/01/15		C	
DRAWING				SERIES		MATERIAL NUMBER		CUSTOMER	
A3-SIZE				206653		SEE TABLE		GENERAL MARKET	
SHEET NUMBER								2 OF 4	

# RECOMMENDED 2C MATING CARD AS PER SFF TA-1002 CONNECTOR SPECIFICATION



REFERENCE SEATING PLANE



THIS DRAWING CONTAINS INFORMATION THAT IS PROPRIETARY TO MOLEX ELECTRONIC TECHNOLOGIES, LLC AND SHOULD NOT BE USED WITHOUT WRITTEN PERMISSION									
DIMENSION UNITS <b>mm</b>		SCALE <b>NTS</b>		CURRENT REV DESC: REVISED				<b>molex</b>	
GENERAL TOLERANCES (UNLESS SPECIFIED)		ANGULAR TOL ± 3.0°		EC NO: 681033					
4 PLACES ±		3 PLACES ±		2 PLACES ± 0.2		1 PLACE ±		0 PLACES ±	
DRAFT WHERE APPLICABLE MUST REMAIN WITHIN DIMENSIONS		THIRD ANGLE PROJECTION		DRAWING <b>A3-SIZE</b>		SERIES <b>206653</b>		MATERIAL NUMBER <b>SEE TABLE</b>	
DOCUMENT STATUS <b>P1</b>		RELEASE DATE <b>2021/10/18 14:52:00</b>		DRWN: JAKEEMEW 2021/10/12		CHK'D: CCTEH 2021/10/12		APPR: SHLENI 2021/10/18	
INITIAL REVISION:		DRWN: KUCHILA 2018/01/30		APPR: SHLENI 2019/01/15		DOCUMENT NUMBER <b>2066530084</b>		DOC TYPE <b>PSD</b>	
SALES DRAWING, VERT, 84 POS EDGE LINE SLIVER, 2C, SMT (1.57 EDGE CARD)		PRODUCT CUSTOMER DRAWING		DOC PART <b>000</b>		REVISION <b>C</b>		CUSTOMER <b>GENERAL MARKET</b>	
SHEET NUMBER <b>3 OF 4</b>									

