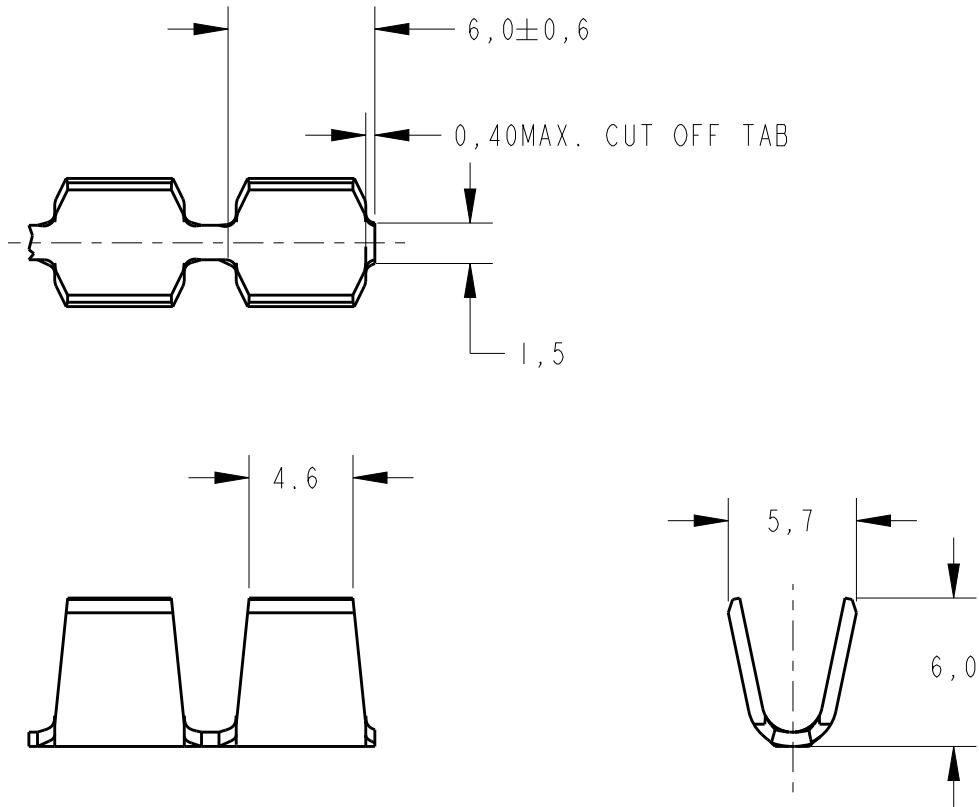


LOC	DIST	REVISIONS			
P	LTR	DESCRIPTION	DATE	DWN	APVD
AP	-				
	B	REDRAW BY ECO-06-013605	09AUG2006	HC	WLS
	BI	REV. BY ECO 17-012248	21AUG2017	HC	WLS



OBSOLETE	TIN PLATED	BRASS	155353-2
	—	BRASS	155353-1
7000/12000CMA	FINISH	MATERIAL	PART NUMBER

DIMENSIONS: mm	DWN H.C.Canteri	09August2006	MATERIAL	-	FINISH	-
	CHK W.L.STEFANI	09August2006				
TOLERANCES UNLESS OTHERWISE SPECIFIED:	APVD	-				
0 PLC ±-	PRODUCT SPEC	-	NAME	Splice		
1 PLC ±0,3	-	-	SIZE	CAGE CODE	DRAWING NO	RESTRICTED TO
2 PLC ±-	APPLICATION SPEC	-	A4	-	C-155353	-
3 PLC ±-	-	-	WEIGHT	-	-	-
4 PLC ±-	-	-	Customer Drawing			
ANGLES ±-	-	-	SCALE	5/1	SHEET	1 OF 1
	-	-	REV BI			

RELEASED FOR PUBLICATION

ALL RIGHTS RESERVED.

THIS DRAWING IS UNPUBLISHED. © COPYRIGHT copyright\_dBTe -