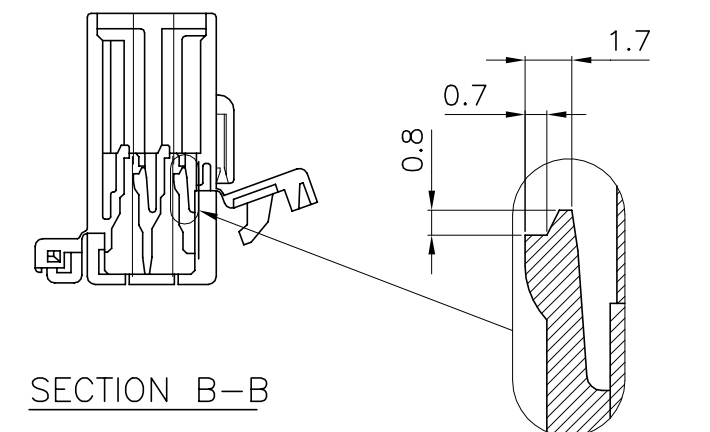
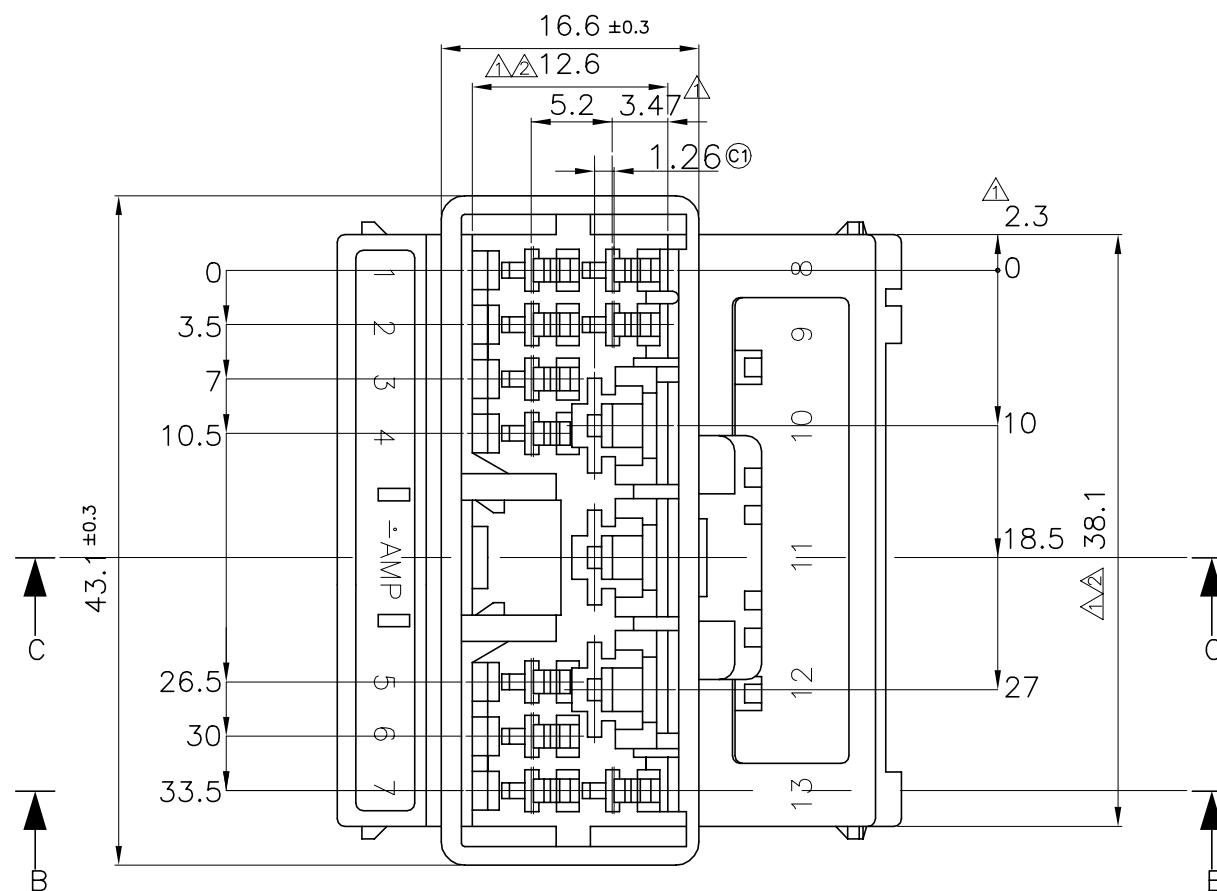
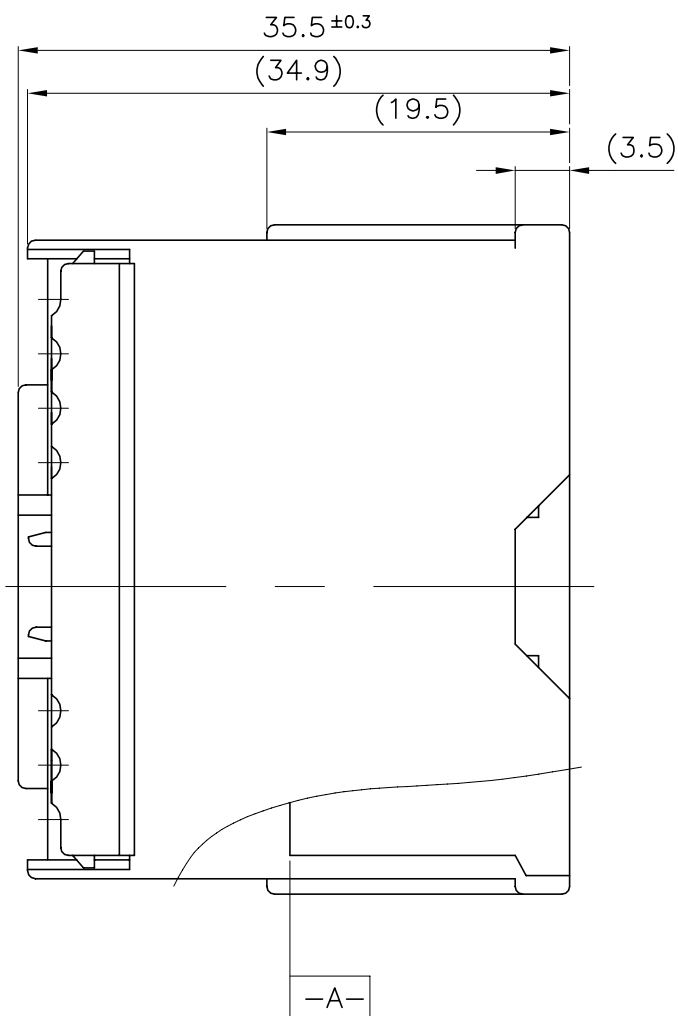


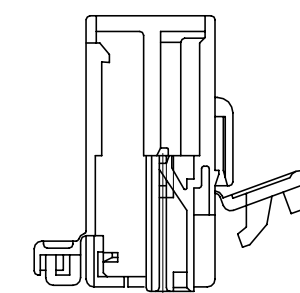
REVISIONS

P	LTR	DESCRIPTION	DATE	DWN	APVD
	C2	REVSIED ECR-20-006447	09JUL2020	VI	SPB

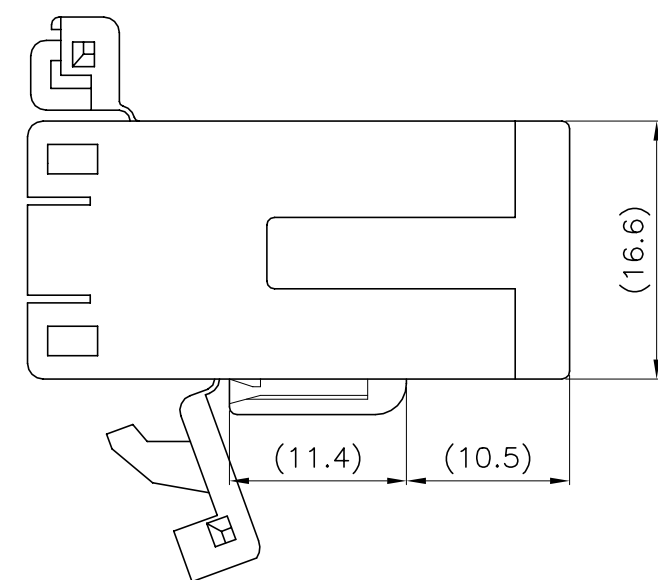


SECTION B-B

LANCE DETAIL



SECTION C-C



NOTE

- ① MUST BE KEPT BETWEEN [A] AND 2.
- ② TO BE MATED WITH REC HSG SMOOTHLY
- 3. APPLIED TAB CONTACT PART NUMBERS
 . 070 SERIES : 173633, 173645
 . 250 SERIES : 170340, 170341, 170349
- 4. APPLIED PLUG HSG P/N; 85111
- ⓐ ⑤ THESE ARE FOR LOCAL CUSTOMER WITH OBS POLY BAG/MID BOX/OUT BOX.
- ⓑ ⑥ THIS IS FOR EXPORT WITH TRAY/OUT BOX.

P/N	MATERIAL	COLOR	PACKING
1-85112-2	P.B.T	BLACK	ⓐ
85112-5	P.B.T	BLUE	ⓐ
85112-4	P.B.T	GREEN	ⓑ
85112-2	P.B.T	BLACK	ⓐ
85112-1	P.B.T	WHITE	ⓐ

TOLERANCES UNLESS OTHERWISE SPECIFIED:
 0<XX<10 ±0.2
 10<XX<30 ±0.25
 30<XX ±0.3
 ANGLES ±3°

THIS DRAWING IS A CONTROLLED DOCUMENT.		DWN	YD. LEE	TE Connectivity Ltd.	
DIMENSIONS: mm		CHK	BM JANG	NAME	
TOLERANCES UNLESS OTHERWISE SPECIFIED:		APVD	CS LEE	.070/.250 HYBRID 13P CAP HSG	
0 PLC ± - 1 PLC ± - 2 PLC ± - 3 PLC ± - 4 PLC ± - ANGLES ± 3°		PRODUCT SPEC	-		
MATERIAL SEE TABLE		FINISH	-		
		APPLICATION SPEC	-		
		WEIGHT	0	SIZE	A3
		CUSTOMER DRAWING	00779	DRAWING NO	C-85112
				CAGE CODE	
				RESTRICTED TO	-
				SCALE	1:1
				SHEET	1 OF 1
				REV	C2