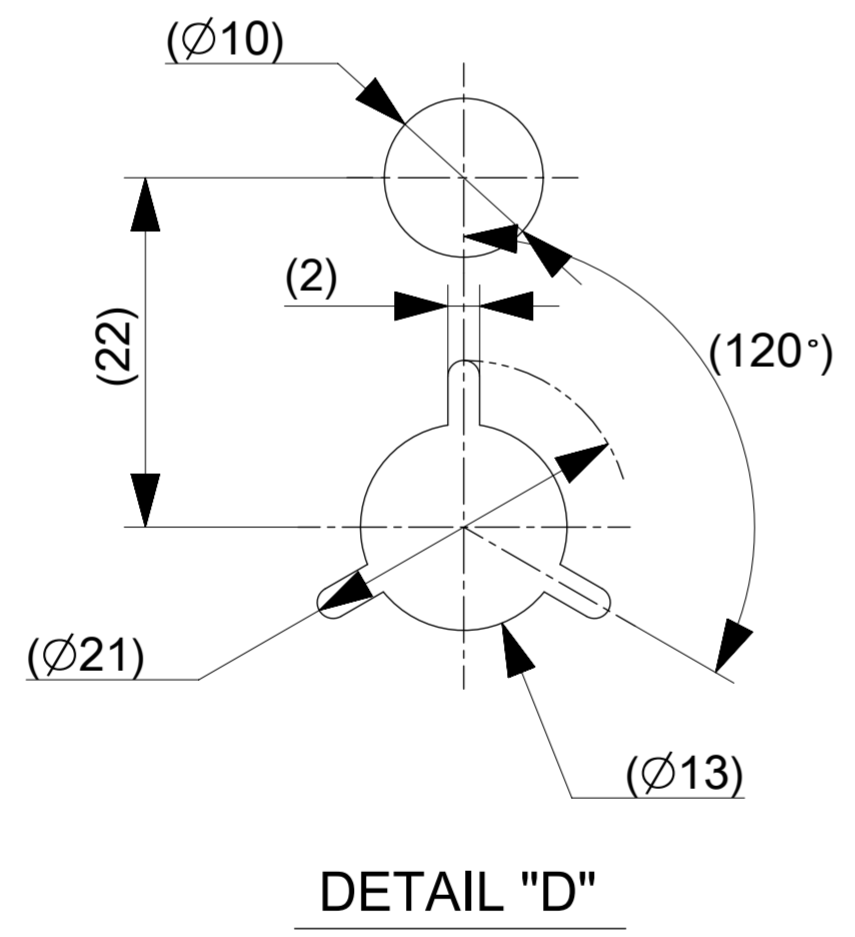
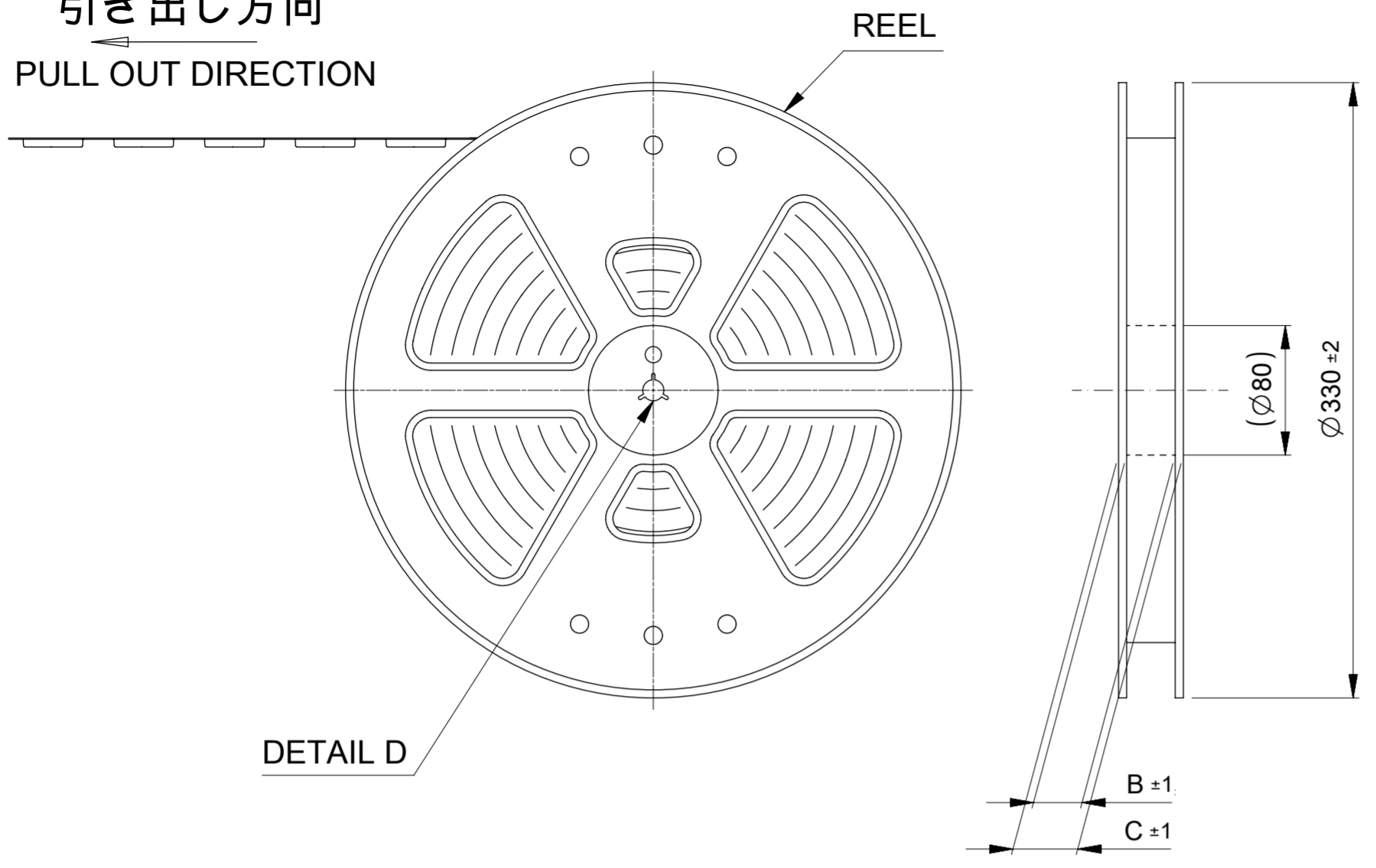
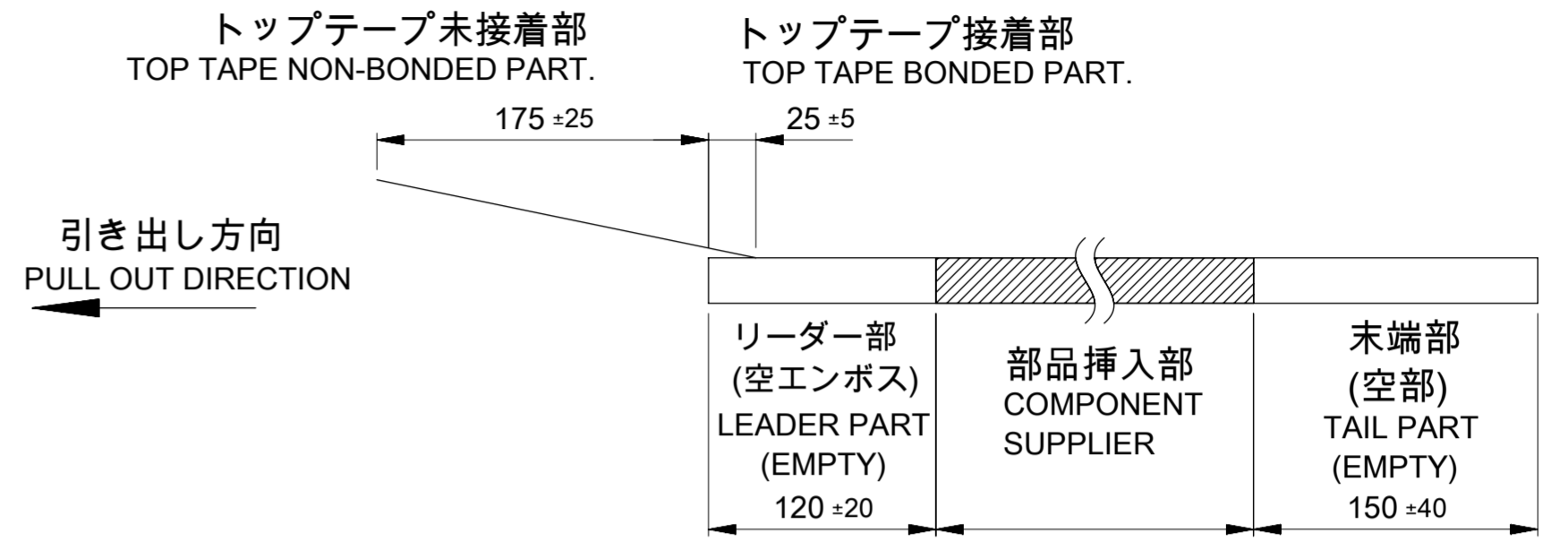


引き出し方向
PULL OUT DIRECTION



注記 NOTES

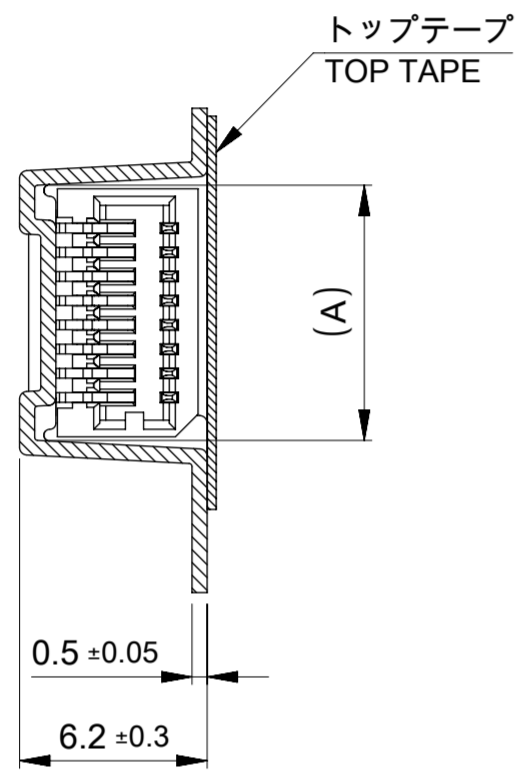
- 梱包数量 : 1000個/リール NUMBER OF CONNECTORS : 1000PCS/REEL
- リードテープ長さ LEAD TAPE LENGTH



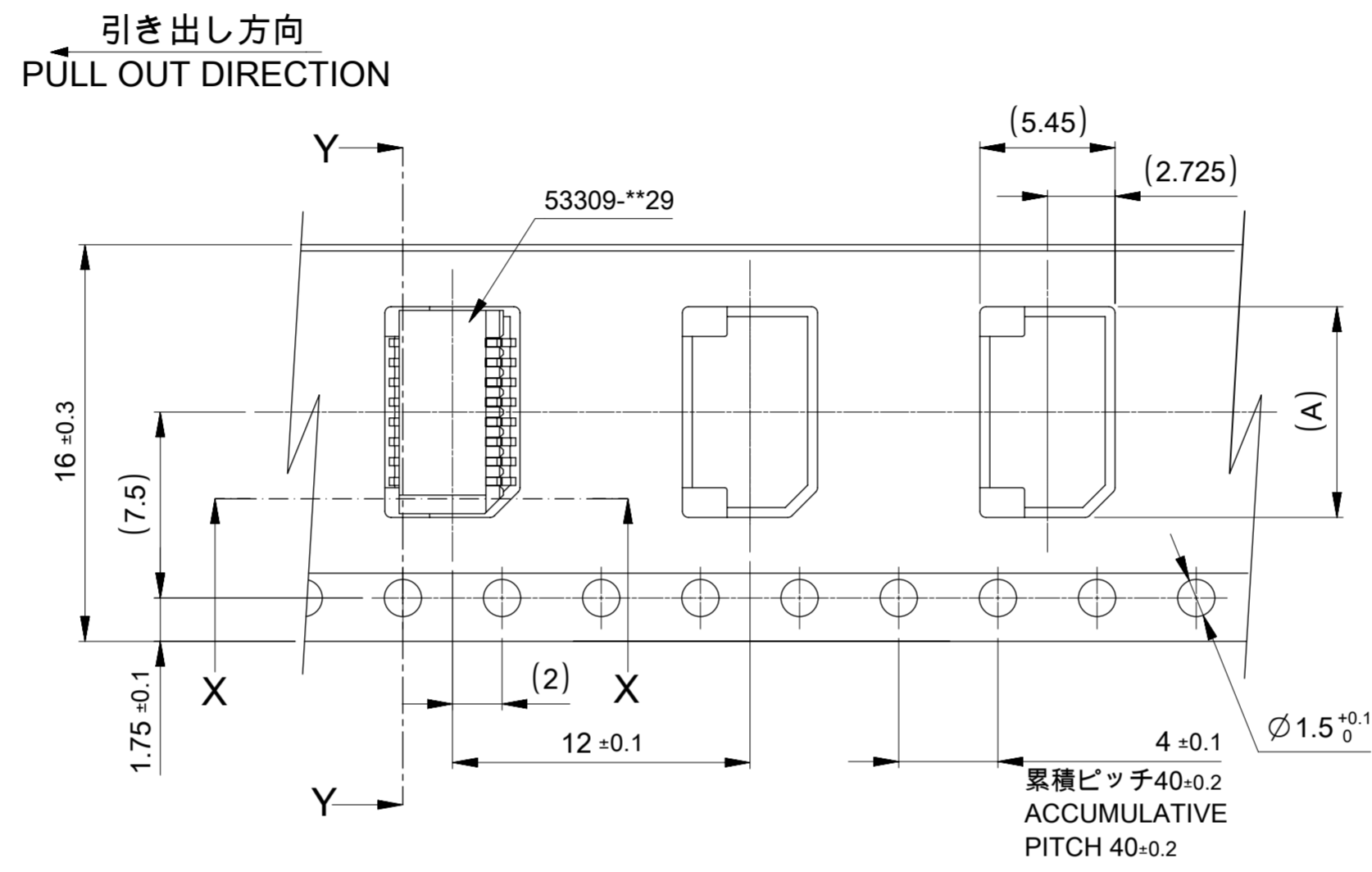
- トップテープの剥離強度についてはIEC60286-3に準拠。
TOP TAPE PEEL FORCE IS DEFINED BY IEC60286-3.
- 材料 キャリアテープ : ポリプロピレン (PP)
トップテープ : PET, PE, PEF
リール : ポリスチレン (PS) <リサイクル材を含む>
MATERIAL
CARRIER TAPE : POLYPROPYLENE
TOP TAPE : PET, PE, PEF
REEL : POLYSTYRENE (PS) < CONTAINED RECYCLE MATERIAL >

- 本製品は53309-**91の鉛フリー品である。
THIS PRODUCT IS LEAD FREE OF 53309-**91.

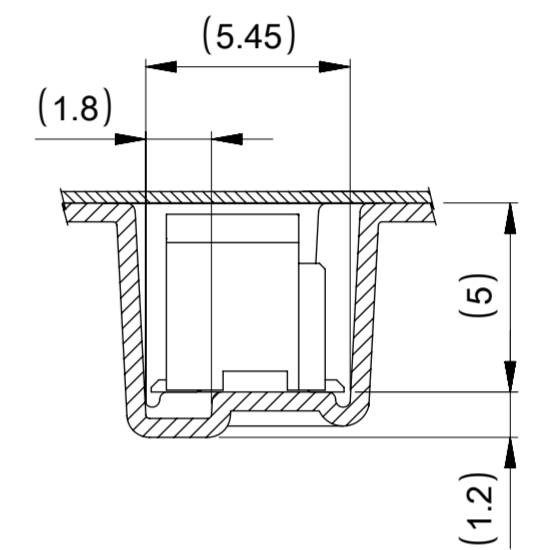
THIS DRAWING CONTAINS INFORMATION THAT IS PROPRIETARY TO MOLEX ELECTRONIC TECHNOLOGIES, LLC AND SHOULD NOT BE USED WITHOUT WRITTEN PERMISSION									
DIMENSION UNITS mm		SCALE NTS		CURRENT REV DESC:				molex	
GENERAL TOLERANCES (UNLESS SPECIFIED)									
ANGULAR TOL ±				EC NO: 653700				0.8 MM PITCH B-TO-B CONN. PLUG (WITHOUT BOSS) EMBOSS TAPE PACKAGE	
4 PLACES ±				DRWN: AHMADI2 2021/02/03					
3 PLACES ±				CHK'D: HSHIMOYAMA 2021/02/26				PRODUCT CUSTOMER DRAWING	
2 PLACES ±				APPR: SHOSHIKAWA 2021/02/26					
1 PLACE ±				INITIAL REVISION:				DOCUMENT NUMBER	
0 PLACES ±				DRWN: YSATO06 2017/03/23				533090000	
				APPR: TKUSUHARA01 2017/03/27				DOC TYPE DOC PART REVISION	
DRAFT WHERE APPLICABLE MUST REMAIN WITHIN DIMENSIONS		THIRD ANGLE PROJECTION		DRAWING		SERIES		MATERIAL NUMBER	
				A2-SIZE		53309		SEE CHART	
DOCUMENT STATUS		P1		RELEASE DATE		2021/02/26 10:23:41		CUSTOMER	
								SHEET NUMBER	
								1 OF 3	



SECTION : Z-Z



16mm幅キャリアテープ
16mm WIDTH CARRIER TAPE

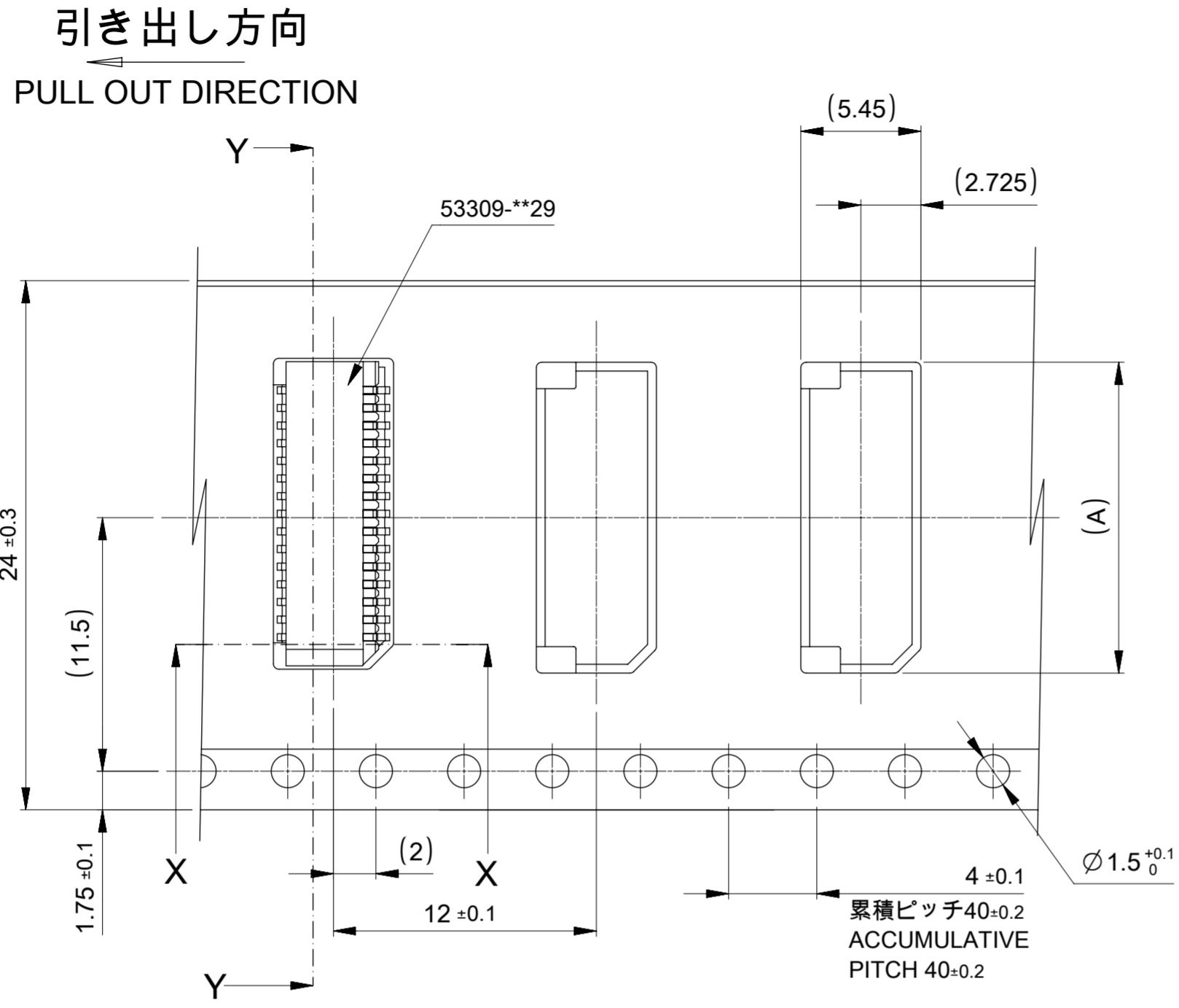
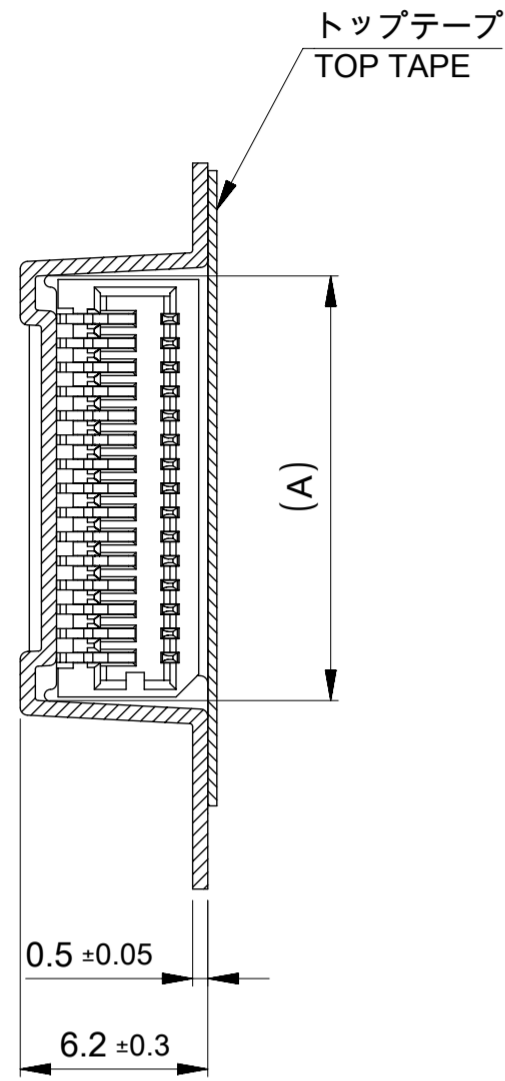


SECTION : X-X

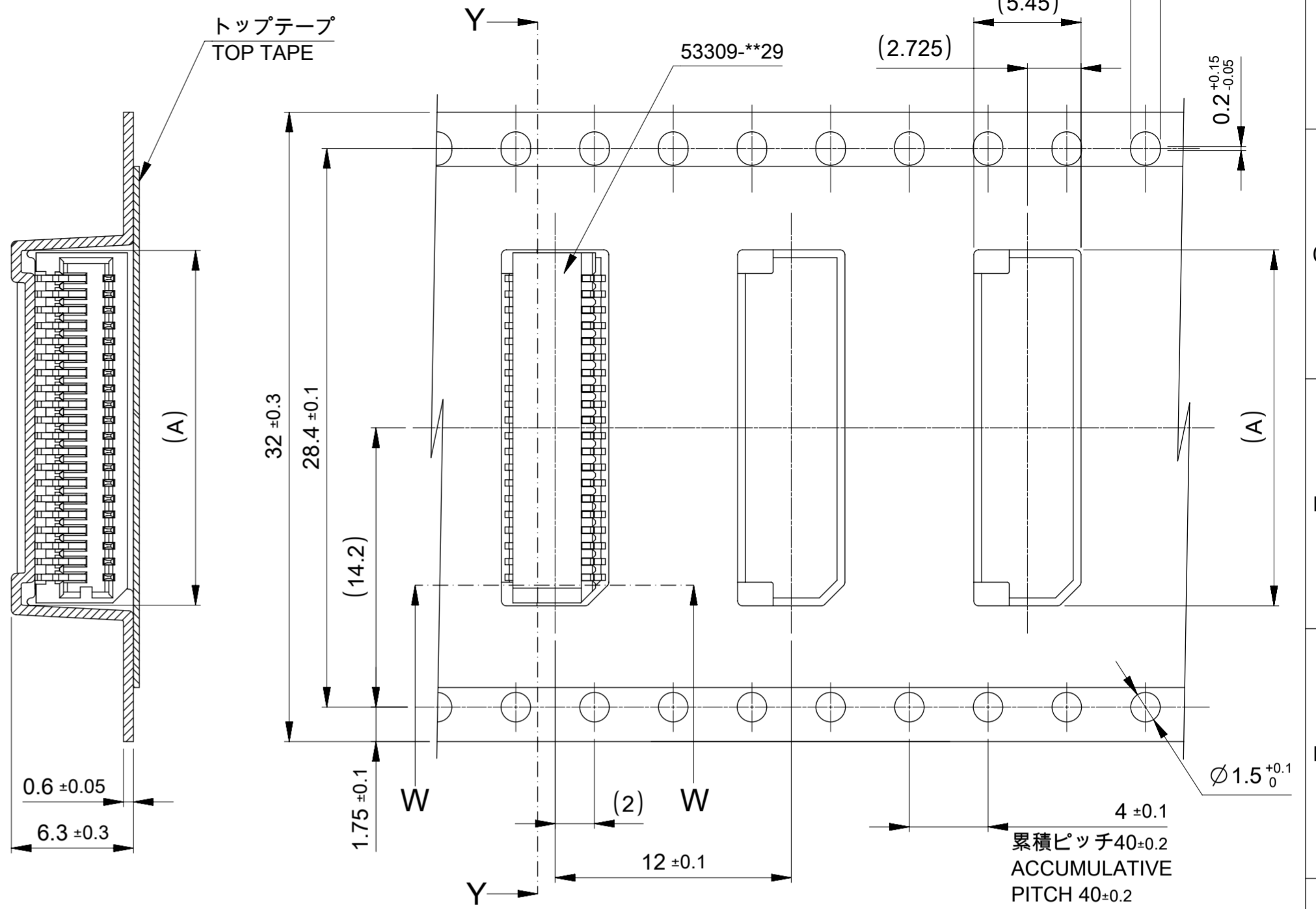
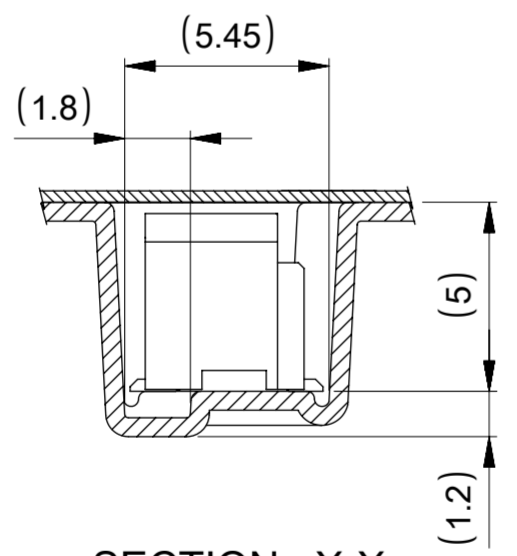
16	21.4	17.4	9.3	53309-1870	18	
			8.5	53309-1670	16	
			7.7	53309-1470	14	
			6.9	53309-1270	12	
			6.1	53309-1070	10	
キャリアテープ幅 CARRIER TAPE WIDTH		C	B	(A)	EMBOSSED TAPE PACKAGE ORDER NO	極数 CIRCUITS

THIS DRAWING CONTAINS INFORMATION THAT IS PROPRIETARY TO MOLEX ELECTRONIC TECHNOLOGIES, LLC AND SHOULD NOT BE USED WITHOUT WRITTEN PERMISSION

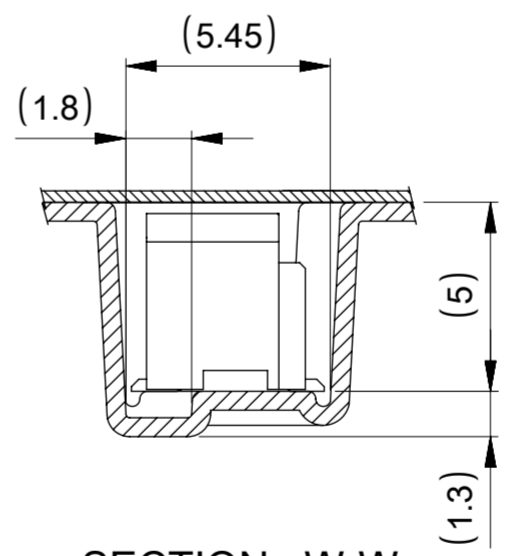
DIMENSION UNITS	SCALE	CURRENT REV DESC:	molex			
mm	NTS					
GENERAL TOLERANCES (UNLESS SPECIFIED)			0.8 MM PITCH B-TO-B CONN. PLUG (WITHOUT BOSS) EMBOSS TAPE PACKAGE			
ANGULAR TOL	±		PRODUCT CUSTOMER DRAWING			
4 PLACES	±		DOCUMENT NUMBER			
3 PLACES	±		533090000			
2 PLACES	±		DOC TYPE DOC PART REVISION			
1 PLACE	±		PSD 000 B			
0 PLACES	±		MATERIAL NUMBER CUSTOMER SHEET NUMBER			
DRAFT WHERE APPLICABLE MUST REMAIN WITHIN DIMENSIONS		THIRD ANGLE PROJECTION	DRAWING	SERIES	MATERIAL NUMBER	CUSTOMER
			A2-SIZE	53309	SEE CHART	



24mm幅キャリアテープ
24mm WIDTH CARRIER TAPE



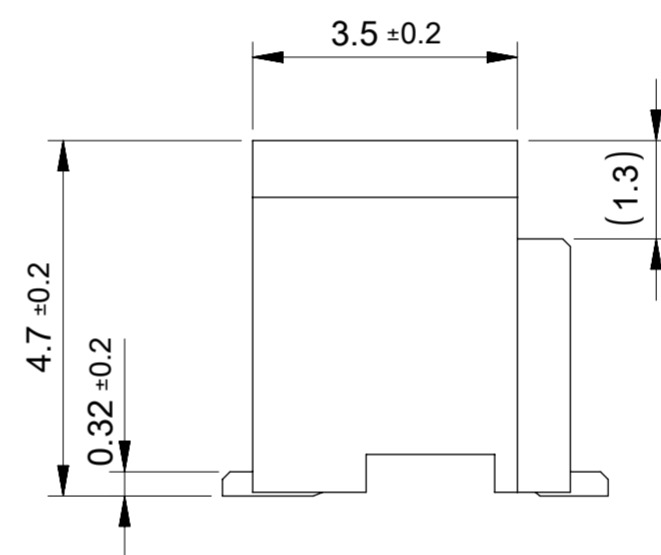
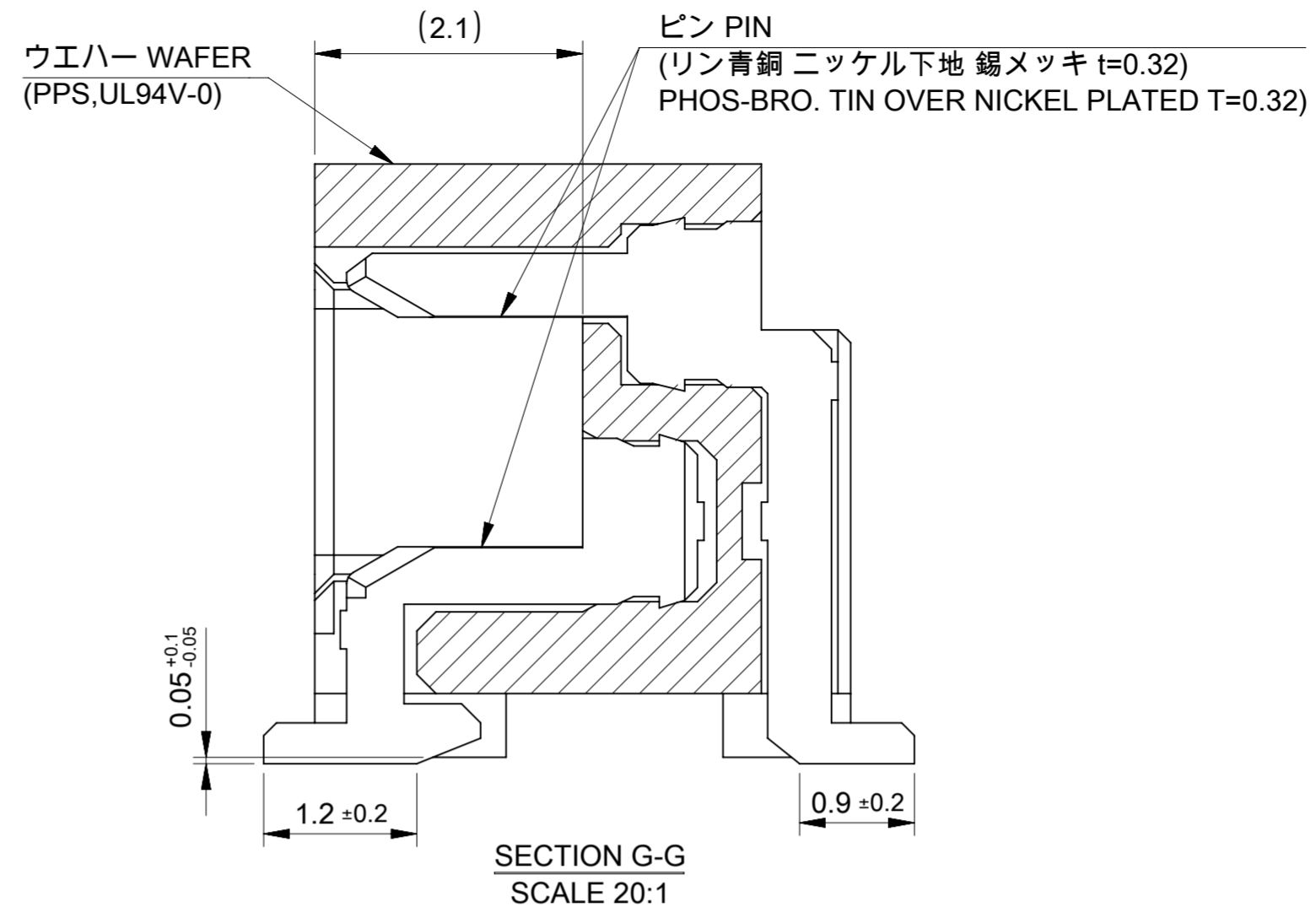
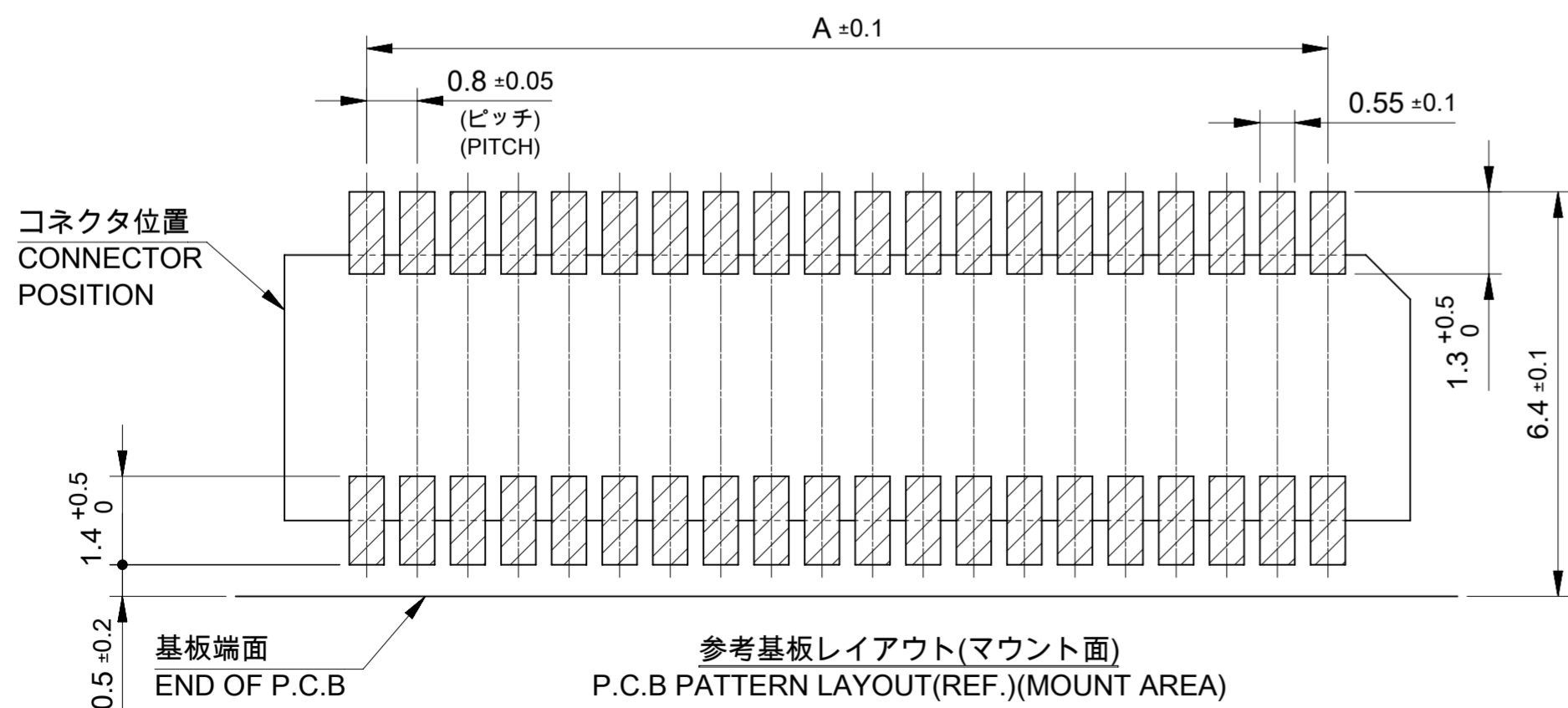
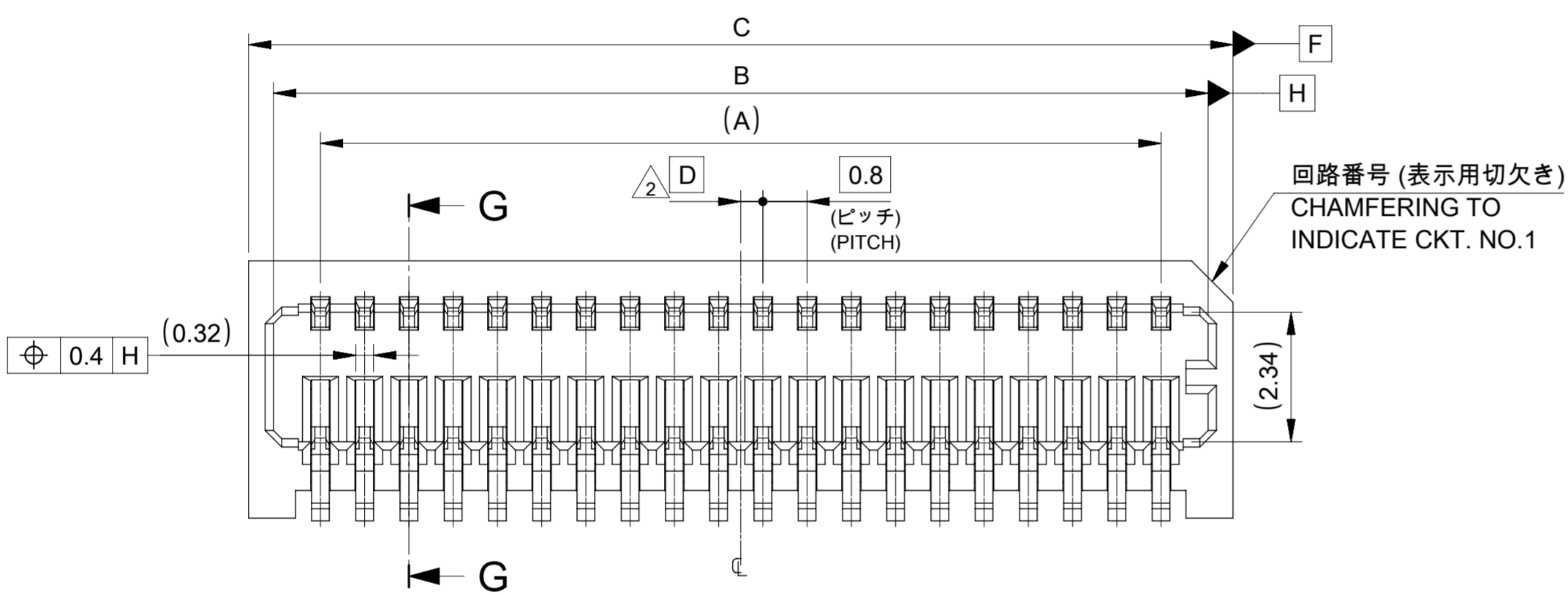
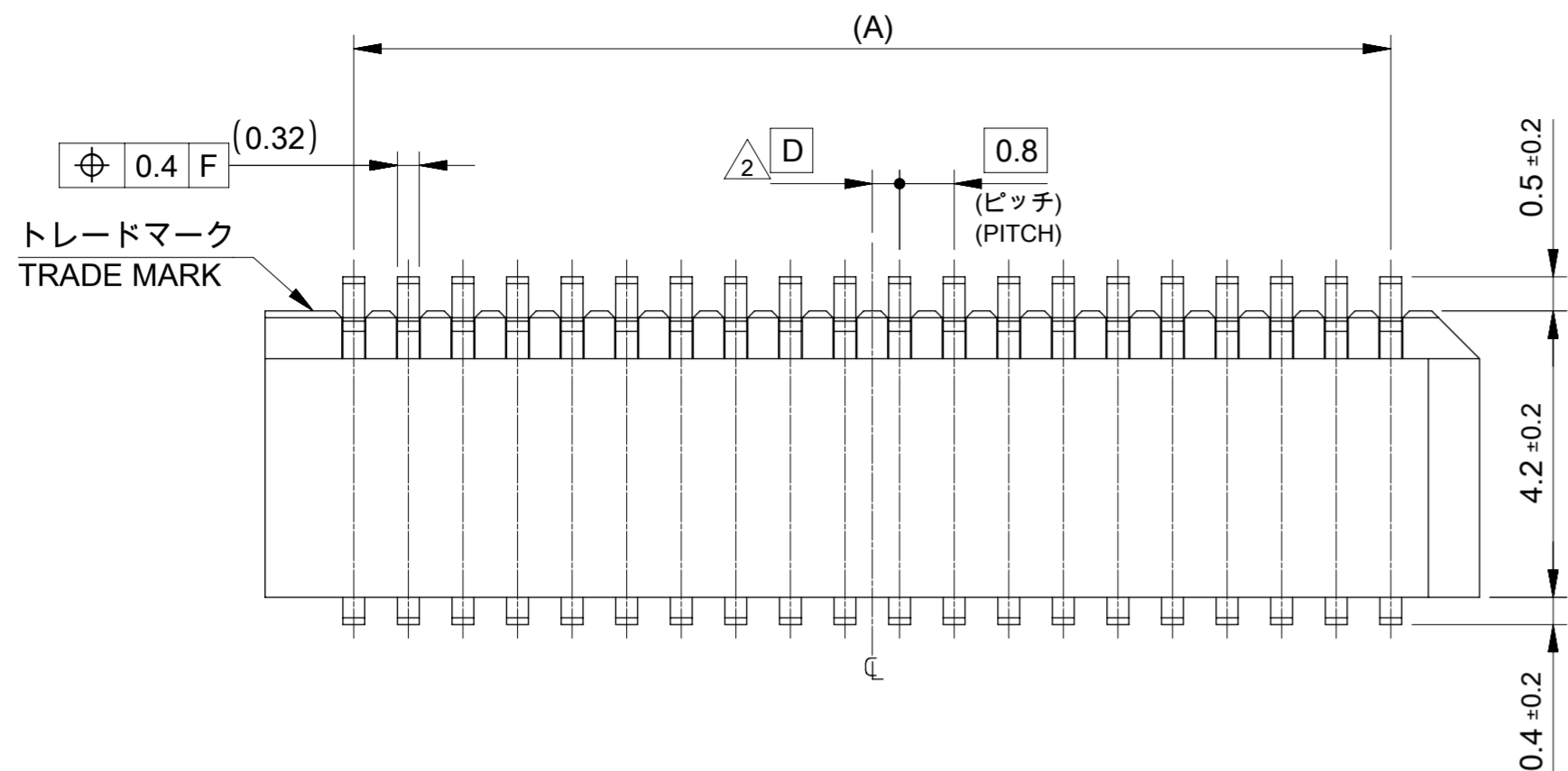
32mm幅キャリアテープ
32mm WIDTH CARRIER TAPE



32	37.4	33.4	18.1	53309-4070	40
24	29.4	25.4	16.5	53309-3670	36
			14.9	53309-3270	32
			14.1	53309-3070	30
			13.3	53309-2870	28
			12.5	53309-2670	26
			11.7	53309-2470	24
			10.9	53309-2270	22
			10.1	53309-2070	20
キャリアテープ幅 CARRIER TAPE WIDTH	C	B	(A)	EMBOSSED TAPE PACKAGE ORDER NO	極数 CIRCUIT

THIS DRAWING CONTAINS INFORMATION THAT IS PROPRIETARY TO MOLEX ELECTRONIC TECHNOLOGIES, LLC AND SHOULD NOT BE USED WITHOUT WRITTEN PERMISSION

DIMENSION UNITS	SCALE	CURRENT REV DESC:	molex			
mm	NTS					
GENERAL TOLERANCES (UNLESS SPECIFIED)			<p>0.8 MM PITCH B-TO-B CONN. PLUG (WITHOUT BOSS) EMBOSS TAPE PACKAGE</p> <p>PRODUCT CUSTOMER DRAWING</p>			
ANGULAR TOL	±					
4 PLACES	±	EC NO: 653700				
3 PLACES	±	DRWN: AHMADI2 2021/02/03				
2 PLACES	±	CHK'D: HSHIMOYAMA 2021/02/26				
1 PLACE	±	APPR: SHOSHIKAWA 2021/02/26				
0 PLACES	±	INITIAL REVISION:	DOCUMENT NUMBER	DOC TYPE	DOC PART	REVISION
		DRWN: YSATO06 2017/03/23	533090000	PSD	000	B
		APPR: TKUSUHARA01 2017/03/27				
DRAFT WHERE APPLICABLE MUST REMAIN WITHIN DIMENSIONS	THIRD ANGLE PROJECTION	DRAWING	SERIES	MATERIAL NUMBER	CUSTOMER	SHEET NUMBER
		A2-SIZE	53309	SEE CHART		3 OF 3



0.4	17.8	16.9	15.2	53309-4070	40
0.4	16.2	15.3	13.6	53309-3670	36
0.4	14.6	13.7	12.0	53309-3270	32
0.8	13.8	12.9	11.2	53309-3070	30
0.4	13.0	12.1	10.4	53309-2870	28
0.8	12.2	11.3	9.6	53309-2670	26
0.4	11.4	10.5	8.8	53309-2470	24
0.8	10.6	9.7	8.0	53309-2270	22
0.4	9.8	8.9	7.2	53309-2070	20
0.8	9.0	8.1	6.4	53309-1870	18
0.4	8.2	7.3	5.6	53309-1670	16
0.8	7.4	6.5	4.8	53309-1470	14
0.4	6.6	5.7	4.0	53309-1270	12
0.8	5.8	4.9	3.2	53309-1070	10
D	C	B	A	EMBOSSD TAPE PACKAGE ORDER NO	極数 CIRCUIT

THIS DRAWING CONTAINS INFORMATION THAT IS PROPRIETARY TO MOLEX ELECTRONIC TECHNOLOGIES, LLC AND SHOULD NOT BE USED WITHOUT WRITTEN PERMISSION

DIMENSION UNITS	SCALE	CURRENT REV DESC:	molex		
mm	10:1				
GENERAL TOLERANCES (UNLESS SPECIFIED)			8.0 MM PITCH B-TO-B CONN. PLUG (WITHOUT BOSS)		
ANGULAR TOL ±					
4 PLACES ±			PRODUCT CUSTOMER DRAWING		
3 PLACES ±					
2 PLACES ±			DOCUMENT NUMBER: 533091000		
1 PLACE ±					
0 PLACES ±			DOC TYPE: PSD		
DRAFT WHERE APPLICABLE MUST REMAIN WITHIN DIMENSIONS					
DRAFT WHERE APPLICABLE MUST REMAIN WITHIN DIMENSIONS			DOC PART: 000		
THIRD ANGLE PROJECTION					
DRAWING: A2-SIZE			REVISION: C		
SERIES: 53309					
MATERIAL NUMBER: SEE CHART			SHEET NUMBER: 1 OF 2		
CUSTOMER:					

GENERAL TOLERANCES (UNLESS SPECIFIED)	
10 ^{UNDER}	±0.2
10 ^{OVER} 30 ^{UNDER}	±0.25
30 ^{OVER}	±0.3
ANGULAR±3°	
DRAFT WHERE APPLICABLE MUST REMAIN WITHIN DIMENSIONS	



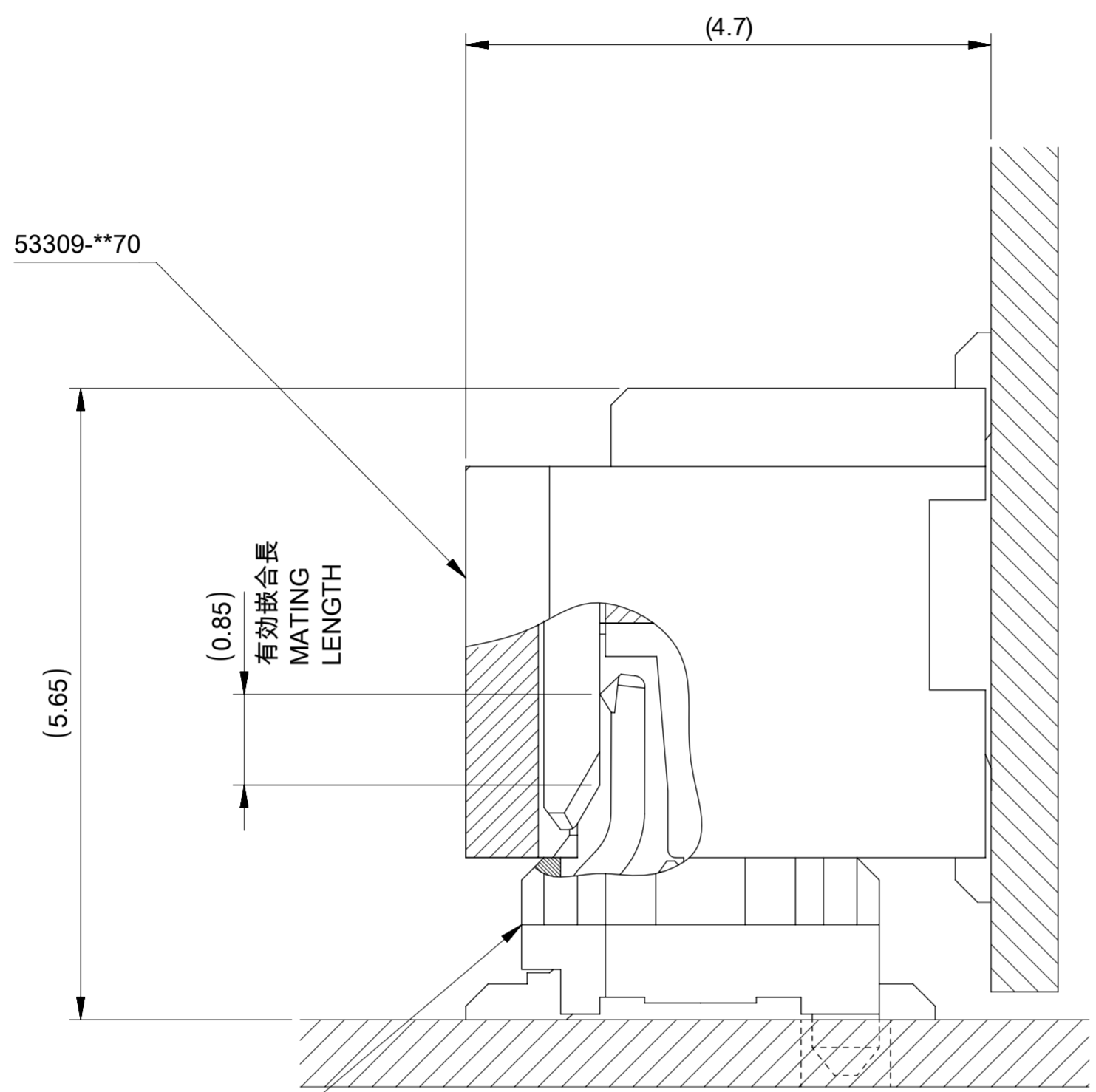
A2-SIZE

SERIES 53309

MATERIAL NUMBER SEE CHART

CUSTOMER

SHEET NUMBER 1 OF 2



NOTES :

1. 嵌合相手 : 52465シリーズ
MATE WITH : 52465 SERIES.
- △ ウェハーの ㄥ から隣接するピンの ㄥ 迄の位置を示す。
SHOW POSSITION FROM ㄥ OF WAFER TO ㄥ OF ADJACENT PINS.
3. 本製品は53309-**27 の鉛フリー品である。
THIS PRODUCT IS LEAD FREE OF 53309-**27.
4. 使用材料MATERIAL
ハウジングHOUSING : PPS GLASS FILLED, UL94V-0 (WHITE)
ターミナルTERMINAL : 燐青銅 PHOSPHOR BRONZE t=0.32
5. めっき仕様 PLATING
ターミナルTERMINAL : 錫めっき/ニッケル下地 TIN OVER NICKEL PLATED
6. テール平坦度は0.1mm MAX
TAIL COPLANALITY TO BE 0.1mm MAXIMUM.

嵌合相手 MATE WITH
52465-**70 (BOSSあり WITH BOSS)
52465-**71 (BOSS無し WITHOUT BOSS)

嵌合状態図(参考)
MATED DRAWING (REF.)

THIS DRAWING CONTAINS INFORMATION THAT IS PROPRIETARY TO MOLEX ELECTRONIC TECHNOLOGIES, LLC AND SHOULD NOT BE USED WITHOUT WRITTEN PERMISSION									
DIMENSION UNITS		SCALE		CURRENT REV DESC:				molex	
mm		20:1							
GENERAL TOLERANCES (UNLESS SPECIFIED)				ANGULAR TOL ±		EC NO: 750938		PRODUCT CUSTOMER DRAWING	
4 PLACES ±				±		DRWN: RAJAGN 2023/05/19			
3 PLACES ±				±		CHK'D: HSHIMOYAMA 2023/05/25		DOCUMENT NUMBER	
2 PLACES ±				±		APPR: YNAITO 2023/05/25			
1 PLACE ±				±		INITIAL REVISION:		533091000	
0 PLACES ±				±		DRWN: YSATO06 2017/03/23			
ANGULAR±3°				DRAFT WHERE APPLICABLE MUST REMAIN WITHIN DIMENSIONS		APPR: TKUSUHARA01 2017/03/27		PSD 000 C	
GENERAL TOLERANCES (UNLESS SPECIFIED)		ANGULAR TOL ±		THIRD ANGLE PROJECTION		DRAWING		SHEET NUMBER	
10 ^{UNDER} ±0.2		±		⊙		A2-SIZE		2 OF 2	
10 ^{OVER} 30 ^{UNDER} ±0.25		±				SERIES			
30 ^{OVER} ±0.3		±				53309			
DRAFT WHERE APPLICABLE MUST REMAIN WITHIN DIMENSIONS		DRAFT WHERE APPLICABLE MUST REMAIN WITHIN DIMENSIONS				MATERIAL NUMBER		CUSTOMER	
						SEE CHART			