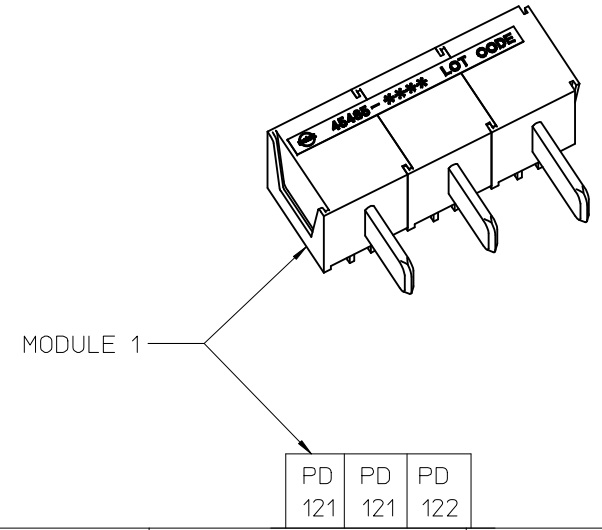
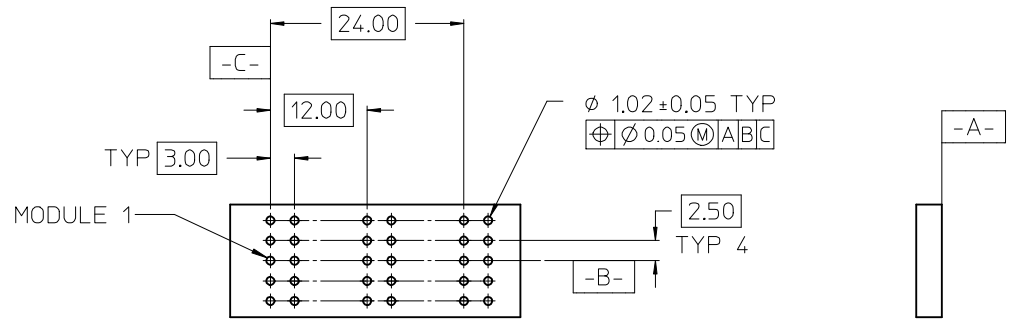
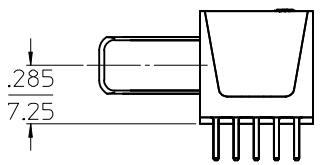
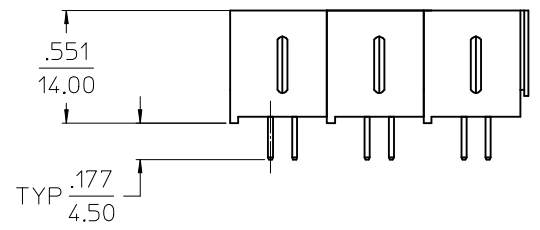
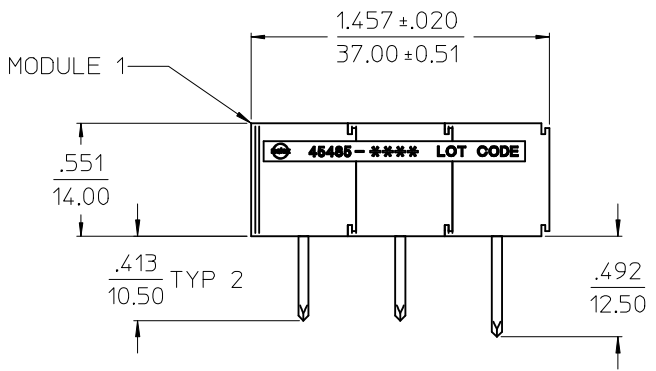


NOTES:

1. MATERIAL: LCP, GLASS FILLED, UL94V-0, BLACK.  
CONTACTS: COPPER ALLOY
2. FINISH: SELECT GOLD: 30 MI MIN.  
SELECT TIN: 100 MI MIN.  
BOTH OVER NICKEL
3. PRODUCT SPECIFICATION: PS-45424-001,
4. PACKAGING SPECIFICATION: PK-45485-001.



PCB LAYOUT: COMPONENT SIDE  
PCB THICKNESS: .125/3.18  
PCB TOLERANCE: ±.002/0.05

GEOM TOL PCB  
EC NO: UCP2005-2625  
DRWN: ADRA1N02005/07/07  
CH'KD: KSAMIEC 2005/07/08  
APPR: APATEL 2005/07/13

QUALITY SYMBOLS

	GENERAL TOLERANCES (UNLESS SPECIFIED)	
	mm	INCH
4 PLACES	± ---	± ---
3 PLACES	± ---	± .010
2 PLACES	± 0.25	± .015
1 PLACE	± 0.38	± ---
ANGULAR ±1/2°		
DRAFT WHERE APPLICABLE		
MUST REMAIN WITHIN DIMENSIONS		

SCALE	DESIGN UNITS
1:1	METRIC
DIMENSION STYLE	
IN/MM	
DRAWN BY	DATE
SAMIEC	2003/03/26
CHECKED BY	DATE
MARGULIS	2003/03/26
APPROVED BY	DATE
MARGULIS	2003/03/26

THIRD ANGLE PROJECTION		REVISE ON CAD ONLY	
TITLE			
POWER DOCK ASSEMBLY POWER RIGHT ANGLE SOLDER TAIL			
molex MOLEX INCORPORATED			
MATERIAL NO.	DOCUMENT NO.	SHEET NO.	
45485-0005	SD-45485-005	1 OF 1	
THIS DRAWING CONTAINS INFORMATION THAT IS PROPRIETARY TO MOLEX INCORPORATED AND SHOULD NOT BE USED WITHOUT WRITTEN PERMISSION			