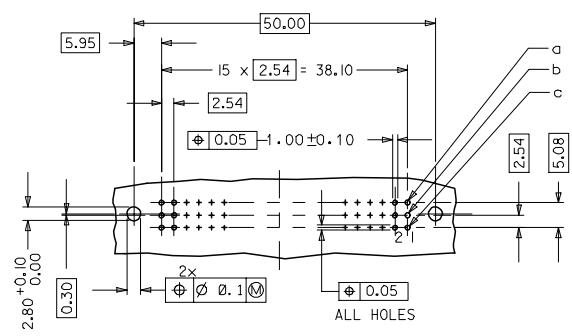
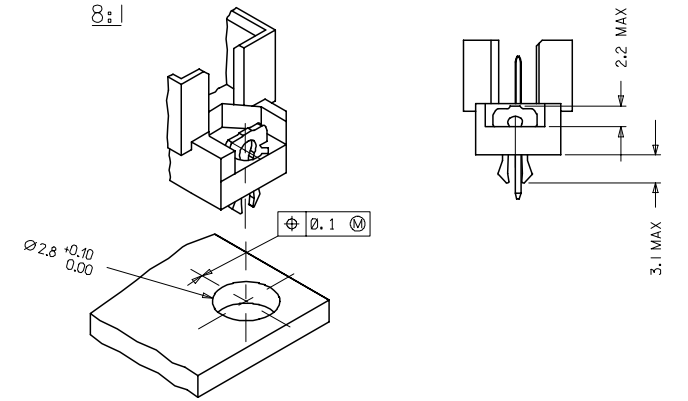


RECOMMENDED PCB LAYOUT  
COMPONENT SIDE



WITH MOUNTING CLIPS



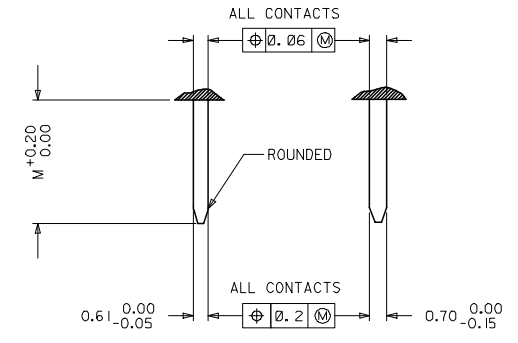
- NOTES:
- 1) MATERIALS: THERMOPLASTIC POLYESTER, GLASS FILLED, UL94V-0, COLOUR: PEBBLE GREY RAL 7032  
TERMINAL - BRASS  
MOUNTING CLIP: STEEL
  - 2) FINISH: TERMINAL:-  
CONTACT AREA  
PERFORMANCE LEVEL : SELECTIVE GOLD (Au), THICKNESS = 0.40 MICROMETER  
OVER NICKEL, THICKNESS = 1.50 MICROMETER  
TERMINATION AREA:  
SELECTIVE TIN, THICKNESS = 2.5 MICROMETER  
OVER NICKEL, THICKNESS = 1.50 MICROMETER OVERALL
  - 3) MOUNTING CLIP:-  
TIN (Sn), THICKNESS = 5-10 MICROMETER,  
OVER NICKEL (Ni), THICKNESS = 2.5 MICROMETER
  - 4) FOR NON MOUNTING CLIP OPTION, CONNECTOR TO BE SECURED WITH  
RIVETS: 2 TUBULAR RIVETS 2.5 x 0.3 ... DIN 7340  
SCREWS: 2 CHEESEHEAD SCREWS M2.5 x ... DIN 84 AND 2 HEXAGONAL NUTS M2.5 DIN 934
  - 5) MATERIAL NUMBER, BATCH CODE, UL AND CSA MARKING  
TO BE PRINTED ON THE CONNECTOR
  - 6) CUT FACE OF TIP WITHOUT PLATING PERMITTED
  - 7) PRODUCT SPECIFICATION PS : 36511-001

RoHS COMPLIANT

<b>ENTER DESCRIPTION</b> ELC.MC.12007-05/14 DRAWINGS CHECKED BY APPROVED BY	2007/06/27 2007/06/27 2007/06/27	<b>QUALITY SYMBOLS</b> ▽=0 ▽=0	<b>GENERAL TOLERANCES (UNLESS SPECIFIED)</b>		<b>DIMENSION STYLE</b> MM ONLY		SCALE 2:1	DESIGN UNITS METRIC	THIRD ANGLE PROJECTION
			4 PLACES ± 0.15 ± 0.15	INCH ± 0.005 ± 0.005	DRAWN BY SS	DATE 1999/09/24	TITLE ASSEMBLY, DIN 41612 R/2 MALE 48 POS SOLDER L = 2.9		
			3 PLACES ± 0.05 ± 0.05	INCH ± 0.002 ± 0.002	CHECKED BY G.J.LOWE	DATE 1999/09/24	MOLEX INCORPORATED		
			2 PLACES ± 0.1 ± 0.1	INCH ± 0.005 ± 0.005	APPROVED BY G.J.LOWE	DATE 1999/09/24	MATERIAL NO. SEE SHEET 2	DOCUMENT NO. SD-36512-011	
DRAFT WHERE APPLICABLE MUST REMAIN WITHIN DIMENSIONS		ANGULAR ± 2°		MATERIAL NO. SEE SHEET 2		DOCUMENT NO. SD-36512-011		SHEET NO. 1 OF 2	

20	19	18	17	16	15	14	13	12	11	10	9	8	7	6	5	4	3	2	1
MATERIAL No.	MOLEX ENG No.	PERF LEVEL	PLATING	CONTACT SEQUENCE/ROW	DIM "L" MM	MOUNTING CLIP	FMLB												
36512-0196	MM-B1901-R480	REFER NOTE.2	Au + Ni	1.2.3...16 a+b+c	2.9	NO	NO												

DETAILY      DETAILX



PRE MATING CONTACTS	5.4
NORMAL CONTACTS	4.8
	M

RoHS COMPLIANT

<b>ENTER DESCRIPTION</b> ELC INC. 12/07-05/14 2007/06/21 DRWINGS 2007/06/21 CHKOPRASAD 2007/06/21 APPROPRASAD 2007/06/21 A	<b>QUALITY SYMBOLS</b> ▽=0 ▽=0	<b>GENERAL TOLERANCES (UNLESS SPECIFIED)</b>		<b>DIMENSION STYLE</b> MM ONLY	<b>SCALE</b> 2:1	<b>DESIGN UNITS</b> METRIC	THIRD ANGLE PROJECTION
		4 PLACES ± --- ± --- 3 PLACES ± 0.05 ± --- 2 PLACES ± 0.1 ± --- 1 PLACE ± 0.15 ± ---	.mm    .INCH	DRAWN BY    DATE SS            1999/09/24	TITLE ASSEMBLY, DIN 41612 R/2 MALE 48 POS SOLDER L = 2.9		
		ANGULAR ± 2 °	DRAFT WHERE APPLICABLE MUST REMAIN WITHIN DIMENSIONS	CHECKED BY    DATE GJLOWE        1999/09/24	APPROVED BY    DATE GJLOWE        1999/09/24		
		MATERIAL NO. SEE CHART	DOCUMENT NO. SD-36512-011	SHEET NO. 2 OF 2			