

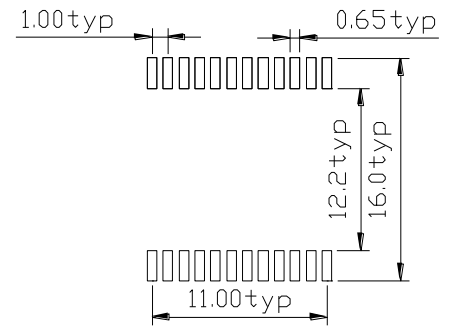
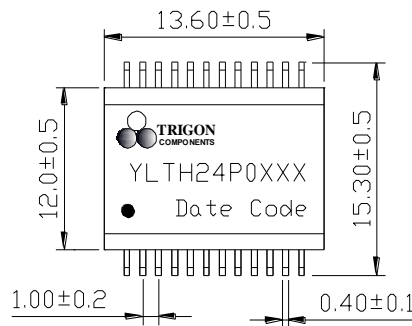
# YLTH24P0 Series

10G Base-T SMD Single Port Magnetics Modules

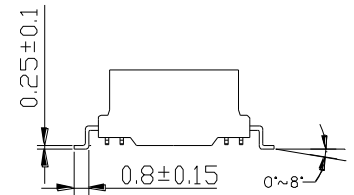
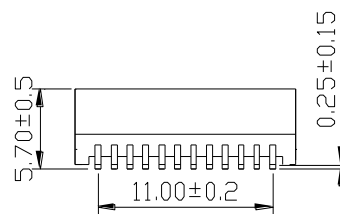
**TRIGON**  
COMPONENTS



## Mechanical Dimensions



SUGGESTED PAD LAYOUT:



## FEATURES

- Surface Mount
- Cost Effective
- Optimum Performance
- Industrial Standard Footprint
- Optional Pin-Outs
- Cable Interface For Isolation
- Low Common Mode Emissions
- RoHS Compliant
- Meets IEEE802.3an Standard For 10G Base-T

## APPLICATIONS

- Designed For Ethernet 10G Base-T, Full Single Port Application
- Display Control
- 4K/8K TV
- Video-Conference Facilities
- IVC (Industrial View Camera)

## ORDERING CODE

**YLT H 24P0XXX T**  
(1) (2) (3) (4)

- (1) LAN Transformer
- (2) High Speed Over One Gigabit
- (3) Series code
- (4) Package  
T= Tape & Reel

IC Manufactures Reference Application:

Aquantia:  
-AQR411C

Valens:  
VS010, VS020, VS100, VS200, VS210, VS2000, VS2310

# YLTH24P0 Series

10G Base-T SMD Single Port Magnetics Modules

**TRIGON**  
COMPONENTS

## Electrical Specifications @ 25°C, Operating Temperature 0°C~70°C

Part Number	OCL (uH Min)	Insertion Loss (dB Max)	Return Loss (dB Max)	Returnn Loss (dB Max)	Cross Talk (dB Typ)	CMRR (dB Typ)	PoE Rating	Hipot (Vrms)
	100KHz, 1Vrms	1-400MHz / 400-500MHz	1-40MHz	40-250MHz *Z Out=100 OHM±1%	1-500MHz	1-500MHz	Watt	For 1 Minute
YLTH24P01T	120	-2.0 / 3.0	-19	-19+10log(f/40)	-25	-25	NON-PoE	1500
YLTH24P02T	120	-2.0 / 3.0	-19	-19+10log(f/40)	-25	-25	NON-PoE	1500
YLTH24P02-1PT	120@14mA	-2.0 / 3.0	-19	-19+10log(f/40)	-25	-25	4PPoW-75W	1500
YLTH24P03PT	120@14mA	-2.0 / 3.0	-19	-19+10log(f/40)	-25	-25	4PPoW-90W	1500
YLTH24P03-2PT	120@21mA	-2.0 / 3.0	-19	-19+10log(f/40)	-25	-25	4PPoE-120W	1500
YLTH24P05PT	120@14mA	-2.0 / 3.0	-19	-19+10log(f/40)	-25	-25	4PPoW-90W	1500

\*These Transformers with Operating Temperature At -40°C~+85°C, Are Available Upon Request.

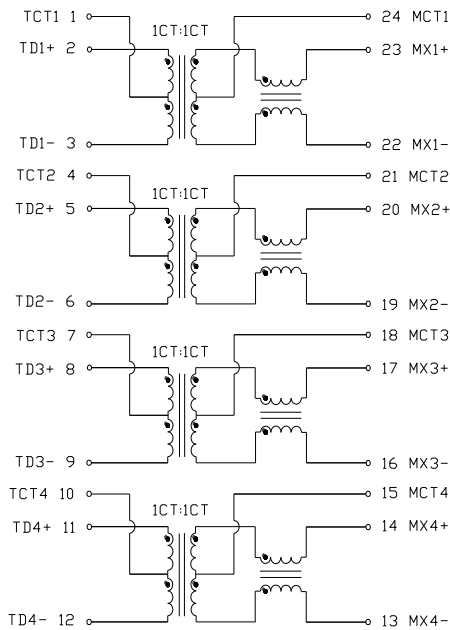
# YLTH24P0 Series

10G Base-T SMD Single Port Magnetics Modules

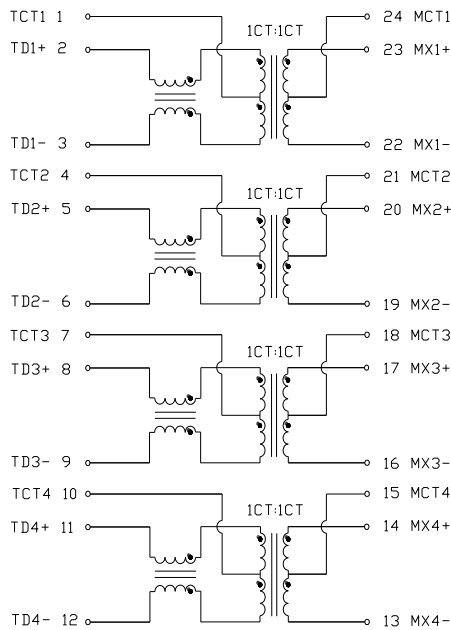
**TRIGON**  
COMPONENTS

## Schematic

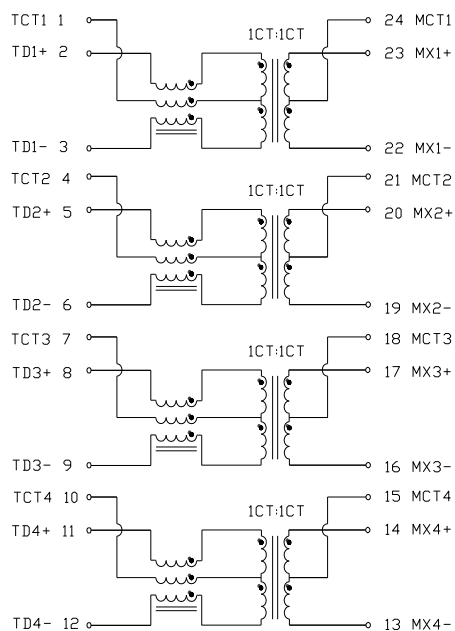
YLTH24P01T



YLTH24P05PT



YLTH24P03PT/YLTH24P03-2PT



YLTH24P02T/YLTH24P02-1PT

