



soberton inc.

# WATERPROOF SPEAKER UNIT

Acoustic Product Specification

Product Number: WSP-4012Y



Release | Revision: A/2018

## CONTENTS

This document contains the technical specifications for waterproof speaker.

### Page 1

Speaker Specification

### Page 2

Measuring Circuit

Typical Frequency Response Curve

### Page 3

Dimensions

## Speaker Specification

Item	Specification	Testing Condition
Dimensions	40.2 x 28.2 x H11.8 mm	
Voice Coil Impedance	8Ω±5%	At 1.5KHz 1V
Resonant Frequency	650±20%Hz	At 1.0V
Output S.P.L.	78±2dB at 0.8, 1.0, 1.2, 1.5, 2.0 KHz in average	At 1.0m /1.0W
Frequency Response	f0~12KHz	-10dB
Rated Input Power	1.0 W	
Max Input Power	2.0 W	
Distortion	≤ 7 % Max	
Operation	Must be normal	Program source 1.0W
Noise	Must be normal	Sine wave 2.83V
Heat Test	Meet items 8 & 9 after test	55±2°C 96 hours
Humidity Test	Meet items 8 & 9 after test	40±2°C 90~95%RH 16 hours
Load Test	Meet items 8 & 9 after test	1.0 W 100 hours
Magnet	Φ12.5 x 2.0mm NdFeB	
Net Weight	13g	
Polarity	When a positive DC current is applied to the terminal marked(+), the diaphragm moves forward.	



soberton inc.

# WATERPROOF SPEAKER UNIT

Acoustic Product Specification

Product Number: WSP-4012Y



Release | Revision: A/2018

## CONTENTS

This document contains the technical specifications for waterproof speaker.

### Page 1

Speaker Specification

### Page 2

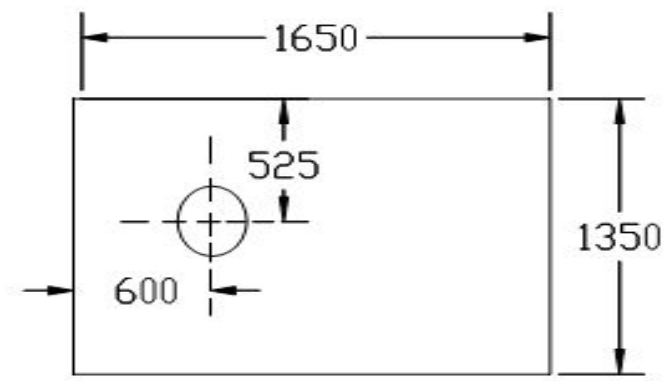
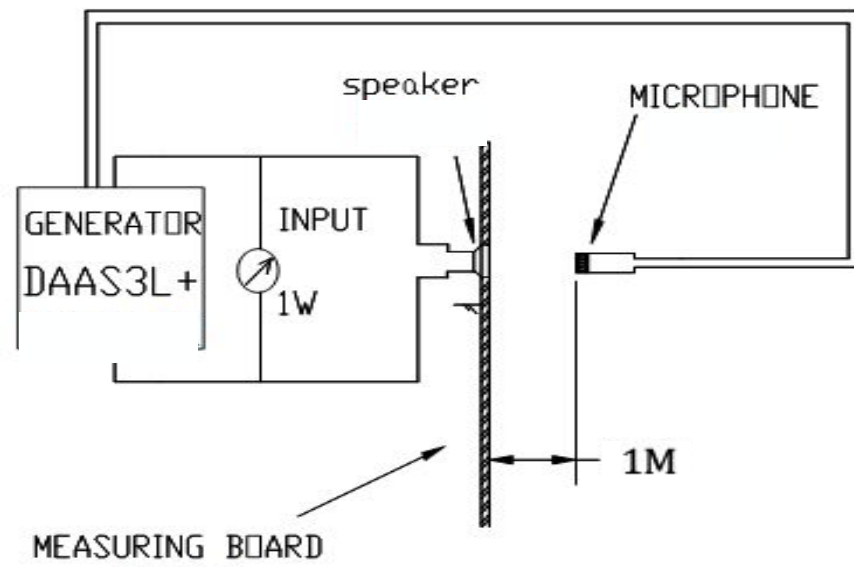
Measuring Circuit

Typical Frequency Response Curve

### Page 3

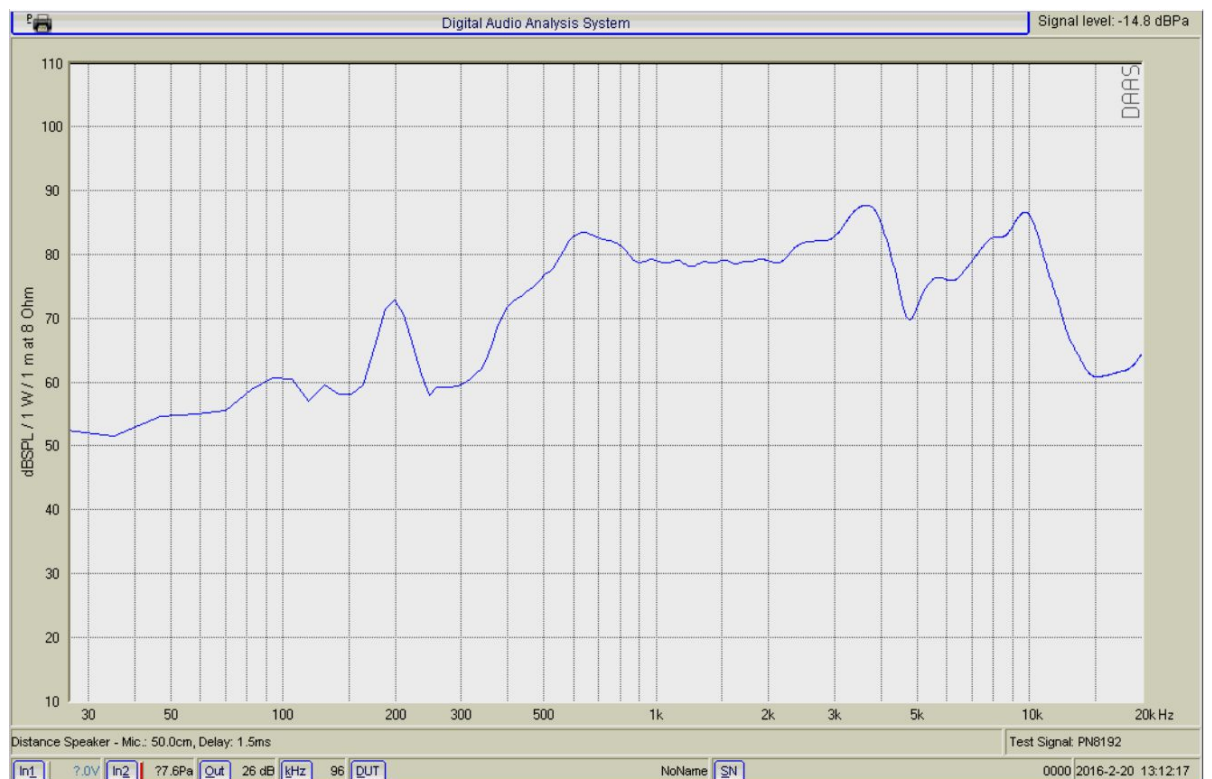
Dimensions

## Measuring Circuit



## MEASUREMENT

## Typical Frequency Response Curve





soberton inc.

# WATERPROOF SPEAKER UNIT

Acoustic Product Specification

Product Number: WSP-4012Y



Release | Revision: A/2018

## CONTENTS

This document contains the technical specifications for waterproof speaker.

### Page 1

Speaker Specification

### Page 2

Measuring Circuit

Typical Frequency Response Curve

### Page 3

Dimensions

## Dimensions

Tolerance:  $\pm 0.2\text{mm}$

