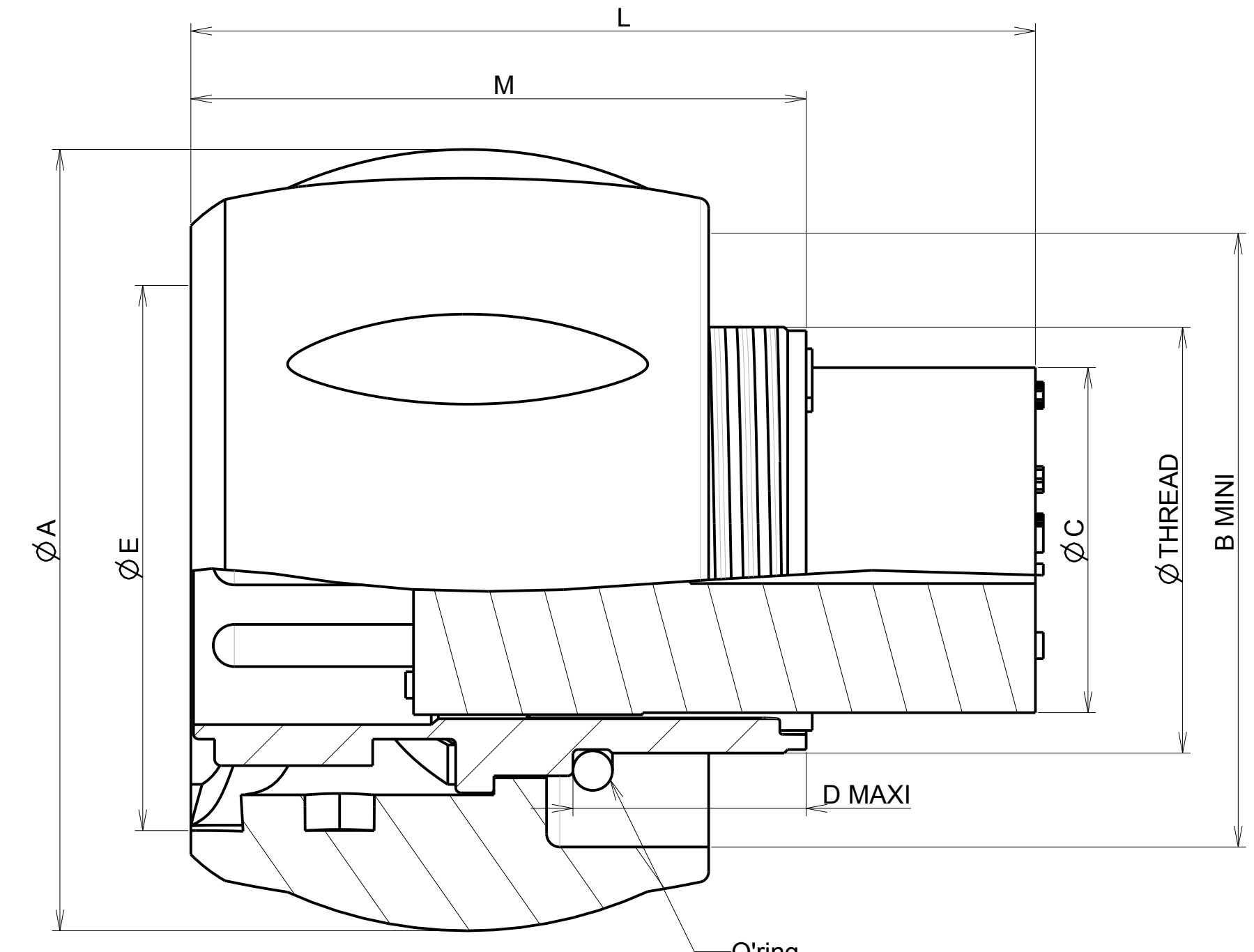


b : 1 : RL



**MATERIAL :**

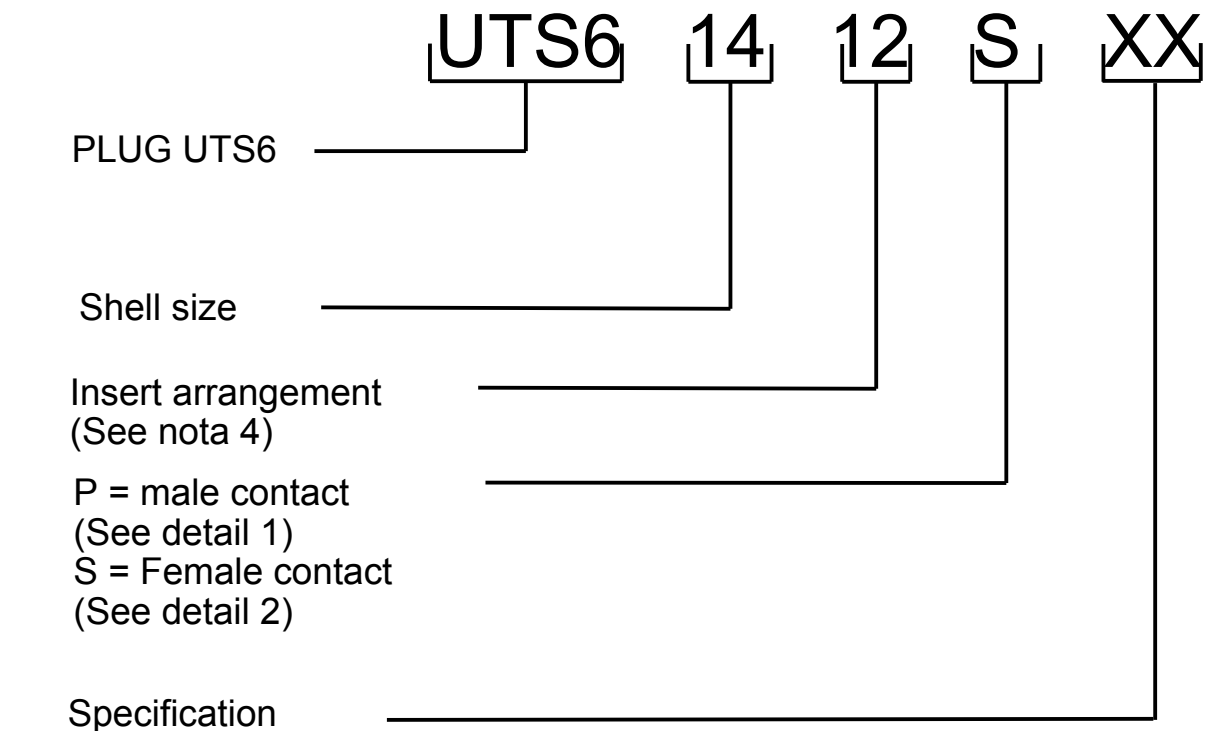
Coupling Nut: Polyamid UL94 V-0  
 Inset: Polyamid UL94 V0  
 Shell : Polyamid UL94 V-0  
 Coupling spring : Stainless steel  
 O'seal : Nitril

**PERFORMANCE CHARACTERISTICS :**

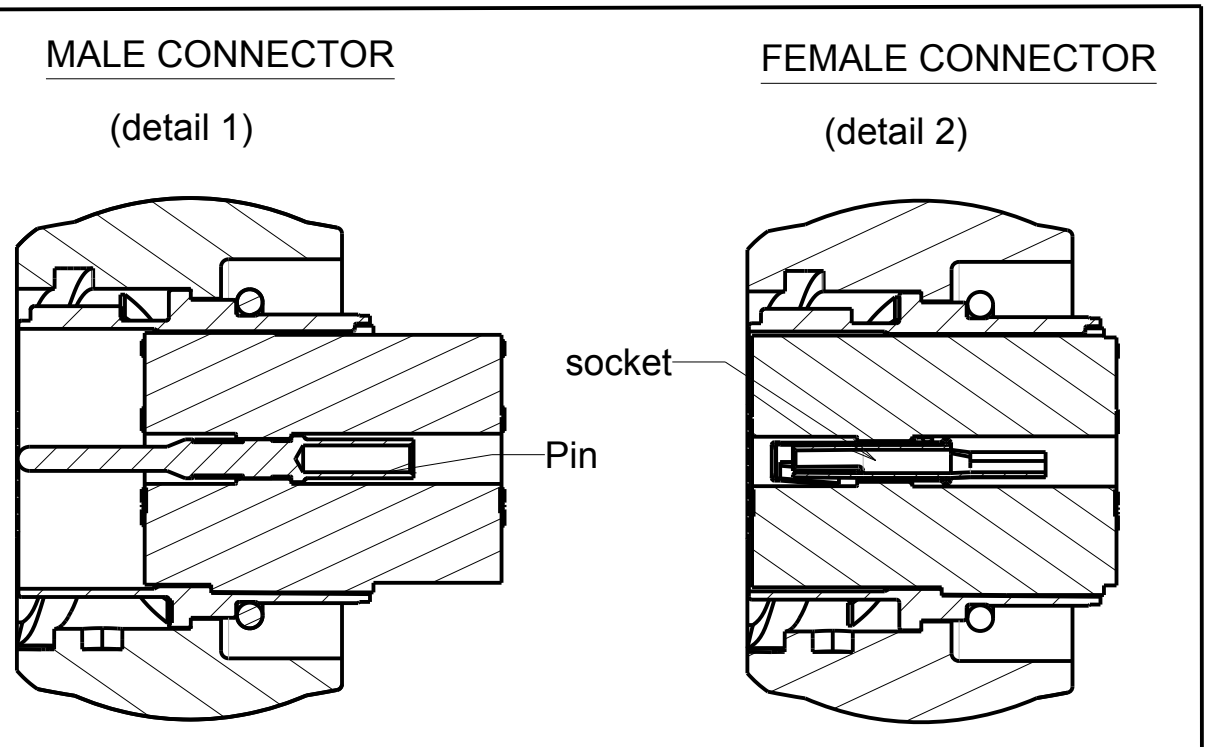
Operating temperature: -40°C up to 105°C  
 Insulation resistance: 5000 MΩ min  
 Test potential: 2000 Vrms for #16 layout and 1500Vrms for #20 layout  
 Corrosion salt spray: 500 hours  
 Durability: 250 matings and unmatings  
 Sealing in mated conditions:  
 -IP68 1 bar during 1 week : immersion under 10 m of water.  
 (IEC 60529)  
 -IP69K : exposure to high pressure water of cleaning  
 equipement (DIN 40050)

**NOTES :**

- 1-Contact to be ordered separately : refer to TRIM TRIO catalog
- 2-Insert arrangements: refer to : C007-UTS1-A (Female insulator)  
 UTO-CONTACT-L-C02 (Female insulator)  
 UTOW-CONTACT-L-C02 (Female insulator)  
  
 C008-UTS1-A (Male insulator)  
 UTO-CONTACT-L-C01 (Male insulator)  
 UTOW-CONTACT-L-C01 (Male insulator)



SHELL SIZE	LAYOUT	Ø A	L MAX		M MINI	Ø C	THREAD	Ø B MINI	D MAXI	Ø E
			MALE	FEMELLE						
10	SEE NOTE 2	26.20	33	25.30	23.35	10.1	9/16-24 UNEF CLASS 2A	20.4	8.1	15.65
12	SEE NOTE 2	29.70	33	25.30	23.35	13.1	11/16-24 UNEF CLASS 2A	23.1	8.9	19.3
14	SEE NOTE 2	34.60	33	25.30	23.35	16.4	13/16-20 UNEF CLASS 2A	26.20	8.9	22.5
18	SEE NOTE 2	42	33	25.30	23.35	21.65	1/16-18 UNEF CLASS 2A	33.30	8.9	29



**CUSTOMER DRAWING**

b	16/02/2011	New drawing adding of size 18		MOD N°
ISS	DATE	Latest modification - by: J.Feurprier		
Designed by: RAGAINEM		Date: 12/06/2011	CUSTOMER DRAWING	
TITLE		UTS PLUG WITHOUT BACKSHELL UTS CONNECTOR		
Scale	2/1	General linear Tolerances: ± 0.2	NPRDS / PROJECT UTS	
		<a href="http://WWW.SOURIAU.COM">WWW.SOURIAU.COM</a>		This document is the property of SOURIAU It must not be reproduced or communicated without permission
FORMAT	A2	SOURIAU DRG N° C029-UTS1-A		SHEET 1/1

NOT EXPORT CONTROLLED