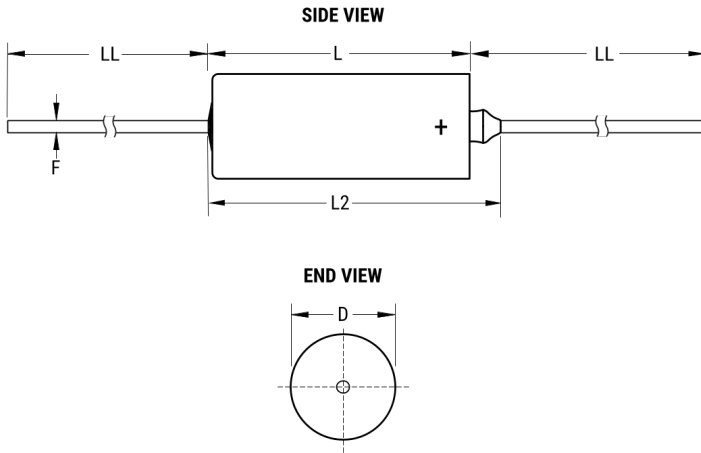


T140D107K035AS7200

Aliases (T140D107K035AS7443, T140D107K035ASTR)

T140, Tantalum, MnO₂ Tantalum, Commercial Grade, 100 uF, 10%, 35 VDC



Click [here](#) for the 3D model.

Dimensions

D	8.92mm +/-0.25mm
L	19.96mm +/-0.79mm
L2	23.42mm
LL	38.1mm +/-6.35mm
F	0.64mm +/-0.05mm

Packaging Specifications

Packaging	T&R, 305mm, Class III, B = 73mm
Packaging Quantity	400

General Information

Series	T140
Dielectric	MnO ₂ Tantalum
Style	Axial Hermetic
Description	Axial, Solid Tantalum, Hermetically Sealed, Military (Non-ER), Polar
Features	Extended Capacitance, Polar
RoHS	No
Prop 65	⚠ WARNING: Cancer and reproductive harm - http://www.p65warnings.ca.gov .
SCIP Number	be146961-2c72-4b45-804a-c62bf7a8b23e
Termination	Lead (SnPb)
Lead	Wire Leads
AEC-Q200	No
Construction	Hermetic
Notes	Dimensions Include Insulating Sleeve. When supplied on T&R or AMMO, lead length is determined by taping specification.

Specifications

Capacitance	100 uF
Capacitance Tolerance	10%
Voltage DC	35 VDC (85C), 28 VDC (125C Surge), 0.35 VDC (125C Reverse)
Temperature Range	-55/+125°C
Rated Temperature	85°C
Dissipation Factor	8%
Leakage Current	20 uA (25°C)