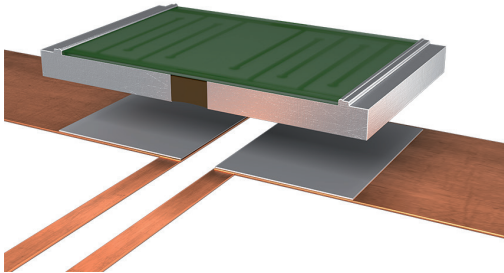


ISA-PLAN® // PRECISION RESISTORS

SMT-PW // Size 2817



Features

- 3 W permanent power at 130 °C
- Constant current up to 27 A (4 mΩm)
- Excellent long-term stability
- High pulse power rating
- Mounting: Reflow-, and IR-soldering
- *Detail specification ESCC 4001/027*
- SnPb tinned terminals

Applications

- Aerospace



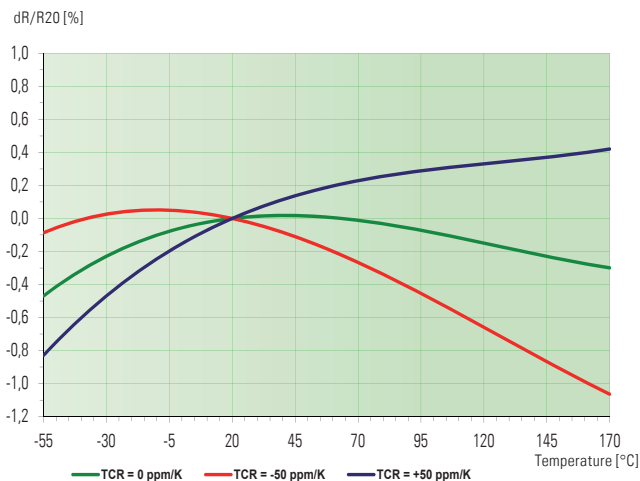
Technical data

Resistance values	Ωm	0.004 to 2 *	
Tolerance	%	0.5 / 1 *	
Temperature coefficient	ppm/K	<10 mΩm	≥10 mΩm
-55 °C to +22 °C		-140, +0	-100, +0
+22 °C to +170 °C		±100	±60
+22 °C to +60 °C		±100	±50
Applicable temperature range	°C	-55 to +170	
Power rating	W	3	
Stability (nominal load) deviation after 2000h, acc. to ESCC Generic Specification		±0.2% (T _K =130 °C)	

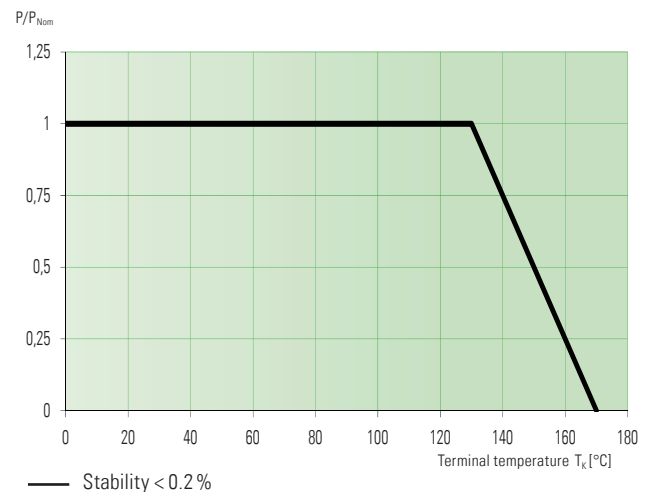
* For detailed information see table on page 2

T_K = terminal temperature

Temperature dependence of the electrical resistance of MANGANIN® resistors at +22 °C to +60 °C



Power derating curve





SMT-PW // Size 2817

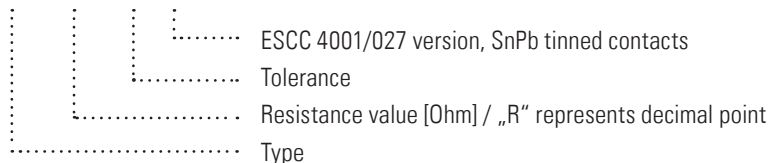
Available standard resistance values and tolerances *

Ordering code	ESCC component number	Ordering code	ESCC component number
SMT-R004-1.0-PW	400102706R004F	SMT-R150-1.0-PW	400102703R150F
SMT-R005-0.5-PW	400102706R005D	SMT-R180-0.5-PW	400102703R180D
SMT-R005-1.0-PW	400102706R005F	SMT-R180-1.0-PW	400102703R180F
SMT-R008-0.5-PW	400102706R008D	SMT-R200-0.5-PW	400102703R200D
SMT-R010-0.5-PW	400102703R010D	SMT-R220-0.5-PW	400102703R220D
SMT-R010-1.0-PW	400102703R010F	SMT-R220-1.0-PW	400102703R220F
SMT-R015-0.5-PW	400102703R015D	SMT-R270-0.5-PW	400102703R270D
SMT-R018-0.5-PW	400102703R018D	SMT-R270-1.0-PW	400102703R270F
SMT-R020-0.5-PW	400102703R020D	SMT-R330-0.5-PW	400102703R330D
SMT-R020-1.0-PW	400102703R020F	SMT-R330-1.0-PW	400102703R330F
SMT-R022-0.5-PW	400102703R022D	SMT-R390-1.0-PW	400102703R390F
SMT-R022-1.0-PW	400102703R022F	SMT-R470-0.5-PW	400102703R470D
SMT-R025-1.0-PW	400102703R025F	SMT-R470-1.0-PW	400102703R470F
SMT-R027-0.5-PW	400102703R027D	SMT-R500-0.5-PW	400102703R500D
SMT-R030-0.5-PW	400102703R030D	SMT-R560-1.0-PW	400102703R560F
SMT-R033-1.0-PW	400102703R033F	SMT-R680-0.5-PW	400102703R680D
SMT-R039-0.5-PW	400102703R039D	SMT-R820-1.0-PW	400102703R820F
SMT-R039-1.0-PW	400102703R039F	SMT-1R00-0.5-PW	4001027031R00D
SMT-R040-1.0-PW	400102703R040F	SMT-1R00-1.0-PW	4001027031R00F
SMT-R047-0.5-PW	400102703R047D	SMT-2R00-0.5-PW	4001027032R00D
SMT-R047-1.0-PW	400102703R047F	SMT-2R00-1.0-PW	4001027032R00F
SMT-R050-0.5-PW	400102703R050D		
SMT-R050-1.0-PW	400102703R050F		
SMT-R056-0.5-PW	400102703R056D		
SMT-R060-0.5-PW	400102703R060D		
SMT-R068-1.0-PW	400102703R068F		
SMT-R082-0.5-PW	400102703R082D		
SMT-R100-0.5-PW	400102703R100D		
SMT-R100-1.0-PW	400102703R100F		
SMT-R120-1.0-PW	400102703R120F		

* other resistance values on request

Ordering code

SMT - R010 - 1.0 - PW





SMT-PW // Size 2817

Recommended solder profile

Reflow- and IR-soldering				
Temperature	°C	260	255	217
Time	sec	peak	40	90

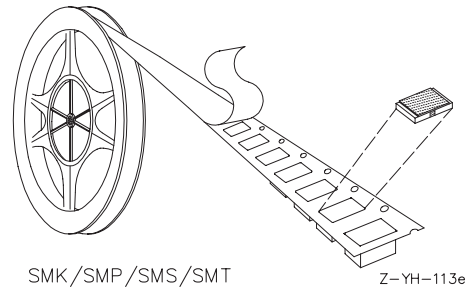
Packaging information

Specification	DIN EN 60286-3			
Tape width	mm	12		
Reel size	inch	13		

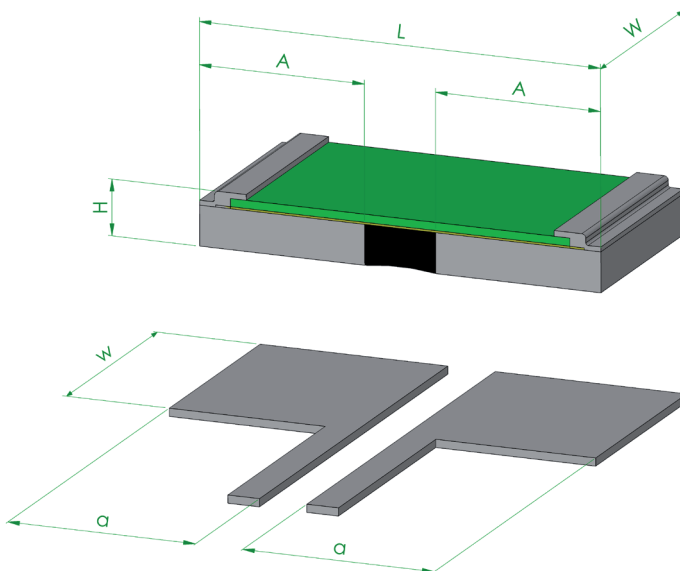
Form of delivery

Tape	pcs	up to 500		
Tape and reel	pcs	>500		

Slight deformations during soldering do not affect technical properties of the component.



Mechanical dimensions and pcb-layout proposal (Reflow-soldering) [mm] // Z-YE-1019a



type	L	W	H	A
SMT	7.1 ±0.2	4.2 ±0.1	0.8 ±0.2	3.1

solder pad type:	l	w	a
SMT	7.4	4.6	3.4

Disclaimer // All products, product specifications and data are subject to change without notice.

The product specifications do not expand or otherwise modify Isabellenhütte's terms and conditions of sale, including but not limited to, the warranty expressed therein. Isabellenhütte makes no warranty, representation or guarantee other than as set forth in its terms and conditions of sale.

Information provided in datasheets and/or specifications may vary from actual results in different applications. Any statements made by Isabellenhütte regarding the suitability of products for certain types of applications are based on its knowledge of typical requirements that are often placed on its products. It is the customer's responsibility to validate that a particular product with the properties described in the product specification is suitable for use in the application intended.

No license, express or implied, or otherwise, to any intellectual property rights is granted by this document. Any and all liability arising out of the application or use of any product shall be as set forth in Isabellenhütte's terms and conditions of sale.

