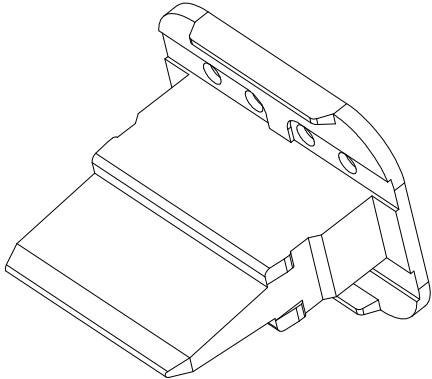
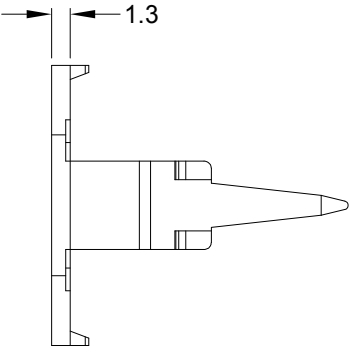
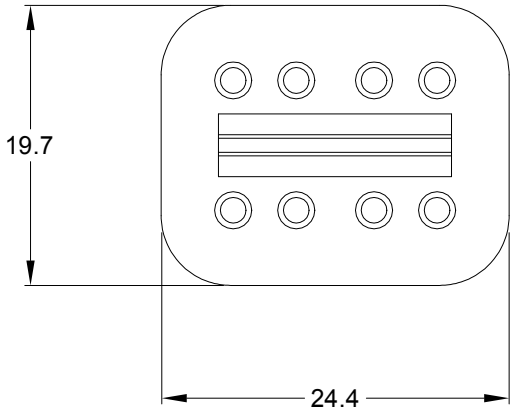
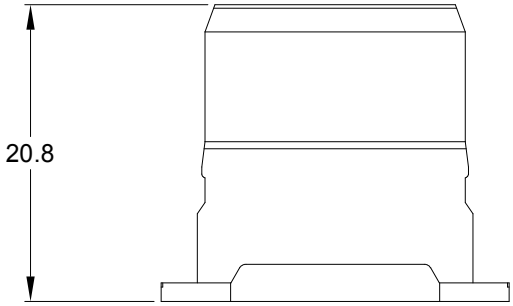


REVISIONS					
REV	ECO	DESCRIPTION	DATE	BY	APPR
A3	--	RELEASE NEW DWG FORMAT	18/SEP/13	DRP	
A4	--	UPDATE DRAWING	10/MAY/19	JOE	TOMMY



NOTES: UNLESS OTHERWISE SPECIFIED

- 1. MATERIAL: THERMOPLASTIC; COLOR: GREEN
- 2. RoHS COMPLIANT
- 3. CAVITIES: 8
- 4. KEYED: N/A
- 5. USE WITH CONNECTORS AT06-08S*
(* = MODIFICATIONS AND/OR COLORS)
- 6. ALL DIMENSIONS ARE FOR REFERENCE USE ONLY.

QUANTITY	AW8S	PART NUMBER	DESCRIPTION	ITEM
MATERIALS LIST				
UNLESS OTHERWISE SPECIFIED 1) All dimensions are in metric(mm). 2) Tolerances are as follows: 1 PL DEC ±0.30 2 PL DEC ±0.15 3 PL DEC ±0.08 Fractions ±1/64 Angles ±1° 3) Note reference =		SIGNATURES DRAWN: JOE CHECKED: ORION ENGINEER: APPROVAL: TOMMY	DATE 10/MAY/19 10/MAY/19 10/MAY/19	<div style="text-align: center;"> <h1>Amphenol</h1> <p>Sine Systems - www.amphenol-sine.com 44724 Morley Drive Clinton Township, MI 48036</p> </div>
MATERIAL SPECIFICATIONS:		CUSTOMER:		S-WEDGELOCK, 8 POSITION, AT SERIES
PROCESS SPECIFICATIONS:		THIS DRAWING IS SUPPLIED FOR INFORMATION ONLY. DESIGN FEATURES, SPECIFICATIONS AND PERFORMANCE DATA SHOWN HEREON ARE THE PROPERTY OF THE AMPHENOL CORPORATION. NO RIGHTS OF REPRODUCTION ARE IMPLIED. ALL DIMENSIONS ARE SUBJECT TO NORMAL MANUFACTURING VARIATIONS.		
NEXT ASSY:				
		SIZE A	TYPE C-	DWG NO: AW8S
		SCALE: NONE	REVISION A4	
		SHEET 1 OF 1		