

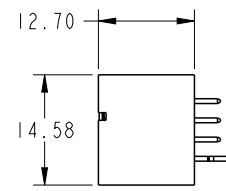
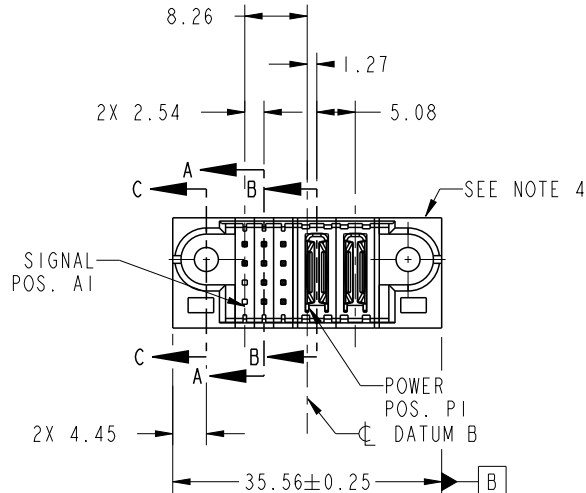
1

2

3

4

PRODUCT NO. 51952-224-- NOTE ③	ROWS DCBA	SIGNAL			POWER		E2
		E1	1	2	3	P1	



CODE	DIM "M" MATING LENGTH	CONTACT TYPE
PA	[N/A]	POWER
H	[5.59]	SIGNAL
E	[6.86]	SIGNAL
HA	[N/A]	HOLD-DOWN
X	OMITTED	OMITTED



Copyright FCI.

spec ref	See Notes			dr	Luo Weller	2012/08/02	projection 	MM 	size	A4	scale	1:1	
tolerance std	TOLERANCES UNLESS OTHERWISE SPECIFIED			eng	Luo Weller	2012/08/08			ecn no	-			
See Notes				chr	-	-							
surface	linear	0.X	±0.50	appr	Pei-Ming Zheng	2012/08/08	product family	PwrBlade	rel level	Released			
		0.XX	±0.25						www.fci.com	cat. no.	&model_name	Product - Customer Drw	sheet 1 of 4
		0.XXX	±0.10										
	angular	0°	±2°										

Prod File - REV C - 2009-06-09

2

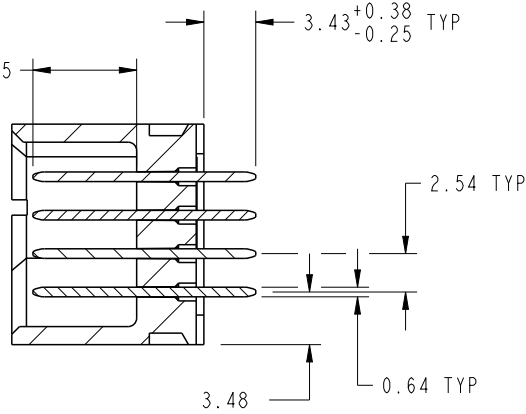
3

4

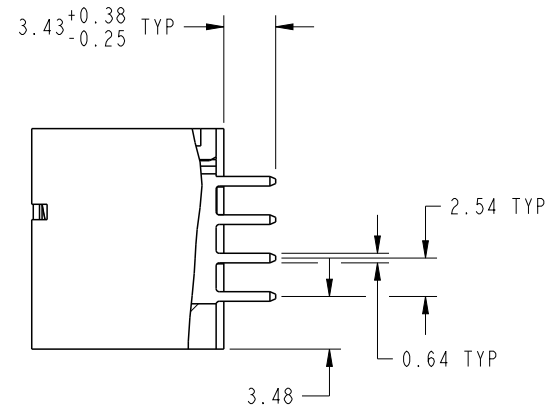
PRODUCT NUMBER

51952-224--
NOTE 3

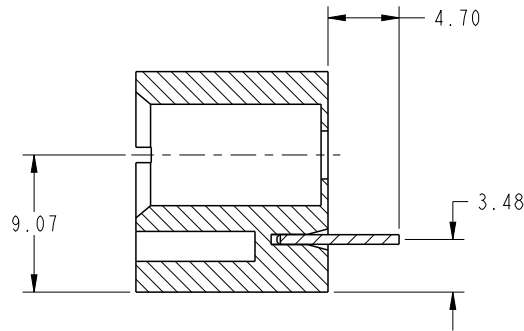
DIM "M" ±0.25



SECTION A-A
SCALE 2:1



SECTION B-B
SCALE 2:1



SECTION C-C
SCALE 2:1

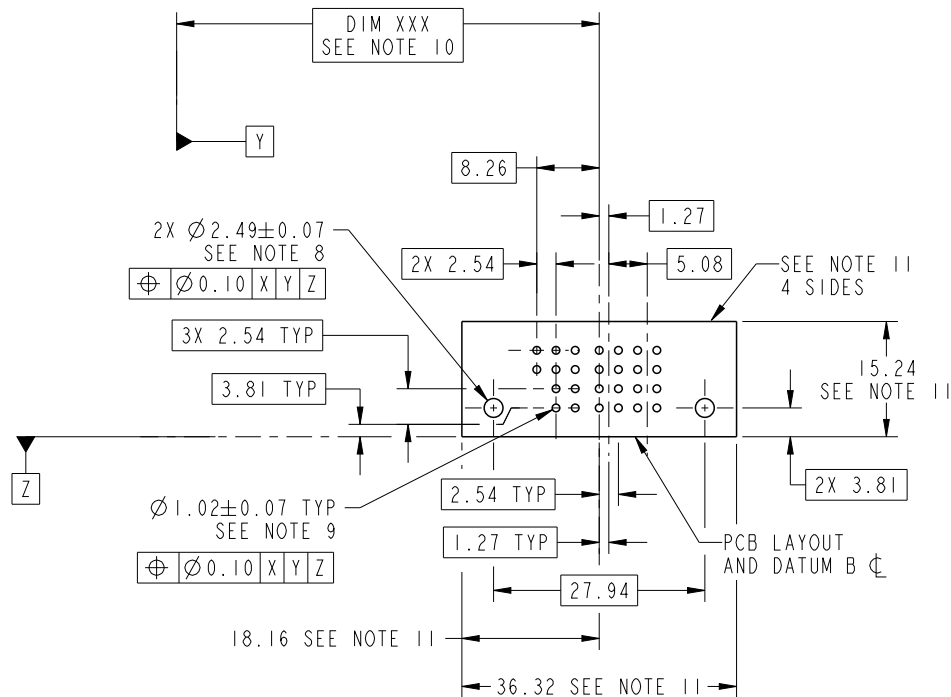
dr	Luo Weller	2012/08/02	projection 	MM 	size	A4	scale	1:1
eng	Luo Weller	2012/08/08			ecn no	-		
chr	-	-			product family	PwrBlade	rel level	Released
appr	Pei-Ming Zheng	2012/08/08			title 12S + 2DCP VERTICAL SOLDER HEADER	dwg no 51952-224	rev A	
www.fci.com		cat. no.	&model_name	Product - Customer Drw	sheet 2 of 4			



Copyright FCI.

PRODUCT NUMBER

51952-224__
NOTE 3



RECOMMENDED PCB LAYOUT

dr	Luo Weller	2012/08/02	projection 	MM 	size	A4	scale	1:1
eng	Luo Weller	2012/08/08			ecn no	-		
chr	-	-			rel level	Released		
appr	Pei-Ming Zheng	2012/08/08	product family	PwrBlade	rev	A		
	title	12S + 2DCP VERTICAL SOLDER HEADER		dwg no	51952-224			
www.fci.com	cat. no.	&model_name	Product - Customer Drw		sheet 3 of 4			

PRODUCT NUMBER

51952-224__
NOTE 3

NOTES:

1. DIMENSIONS AND TOLERANCES ARE IN ACCORDANCE WITH ASME Y14.5M, 1994 UNLESS OTHERWISE SPECIFIED.

CONNECTOR NOTES:

- ② HOUSING MATERIAL: UL 94 V-0 GLASS FILLED HIGH-TEMP THERMOPLASTIC
POWER CONTACT MATERIAL: COPPER ALLOY
SIGNAL PIN MATERIAL: COPPER ALLOY
 - 3. SEE ITEM 1 & 2 IN PRINT 10064183 FOR PLATING SPEC OF 51952-224 AND 51952-224LF RESPECTIVELY.
 - ④ MANUFACTURER'S NAME, DATE CODE AND OPTIONAL P/N TO APPEAR ON THIS SURFACE. THE MARK CAN BE OMITTED IF THERE IS NOT ENOUGH SPACE ON THIS SURFACE.
 - 5. PRODUCT SPECIFICATION GS-12-149.
APPLICATION SPECIFICATION BUS-20-067.
 - 6. PACKAGED IN TRAYS.
- PCB NOTES:
- 7. ALL HOLE DIAMETERS ARE FINISHED HOLE SIZE.
 - 8. MOUNTING HOLES, WHERE APPLICABLE, ARE UNPLATED.

⑨ $\varnothing 1.151 \pm 0.025$ DRILLED HOLES PLATED WITH 0.008 MIN SnPb OR Sn OVER .001 [0.03] TO 0.08 Cu PLATING TO ACHIEVE $\varnothing 1.02 \pm 0.07$ HOLE.

⑩ "DIM XXX" TO BE DETERMINED BY THE CUSTOMER.

⑪ CONNECTOR KEEP-OUT ZONE.

dr	Luo Weller	2012/08/02	projection 	MM 	size	A4	scale	1:1		
eng	Luo Weller	2012/08/08			ecn no	-				
chr	-	-			product family	PwrBlade	rel level	Released		
appr	Pei-Ming Zheng	2012/08/08			title	12S + 2DCP VERTICAL SOLDER HEADER	dwg no	51952-224	rev	A
www.fci.com		cat. no.	&model_name	Product - Customer Drw		sheet 4 of 4				



Copyright FCI.