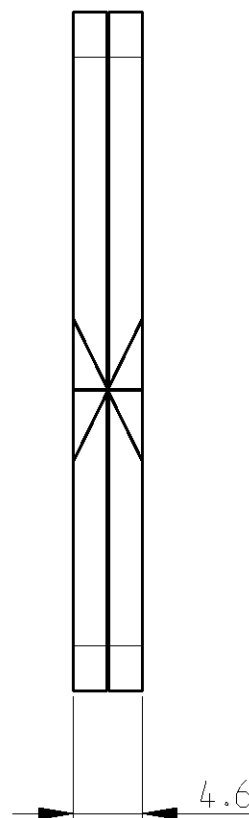
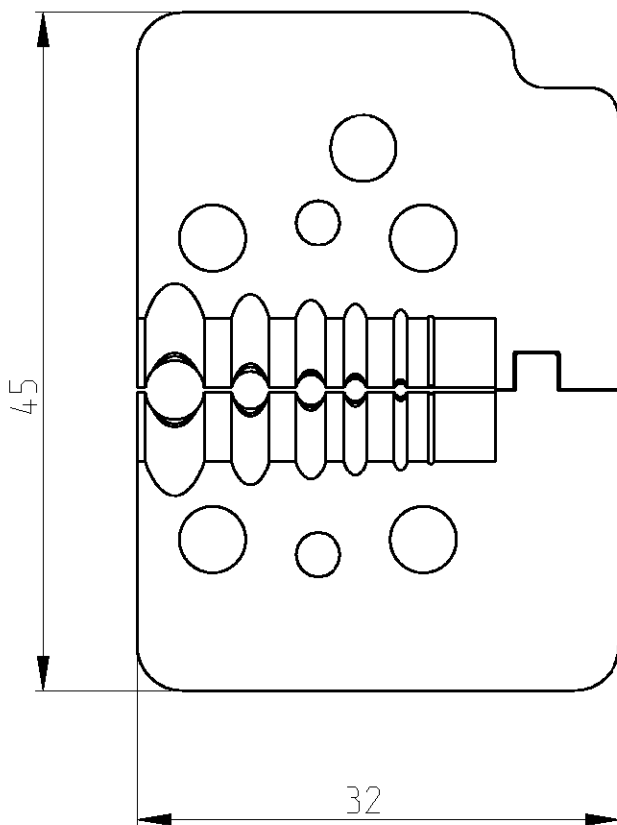


LOC	DIST	REVISIONS					
		P	LTR	DESCRIPTION	DATE	DWN	APVD
AI	-		A	EGCO-0152-04	02JUN2004	witt	-

STRIPPING BLADES FOR HAND TOOL 1-1579002-2
Stripping wire range 0,14 - 6,0 mm²


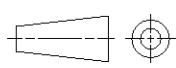


2003

RELEASED FOR PUBLICATION

THIS DRAWING IS UNPUBLISHED.

© COPYRIGHT 2003 BY TYCO ELECTRONICS CORPORATION. ALL RIGHTS RESERVED.

DIMENSIONS:		DWN	02JUN2004	MATERIAL	-	FINISH	-	
mm		Ch.Witt	-	 tyco Electronics AMP GmbH D - 64625 Bensheim				
TOLERANCES UNLESS OTHERWISE SPECIFIED:		CHK	-					
0 PLC	±	APVD	-	NAME STRIPPING BLADES Abisoliermesser				
1 PLC	±	PRODUCT SPEC	-					
2 PLC	±	APPLICATION SPEC	-	SIZE	CAGE CODE	DRAWING NO	RESTRICTED TO	
3 PLC	±	WEIGHT	-	A 4	00779	©=3-1579005-7	-	
4 PLC	±	CUSTOMER DRAWING					SCALE	2:1
ANGLES	±°						SHEET	1 OF 1
							REV	A