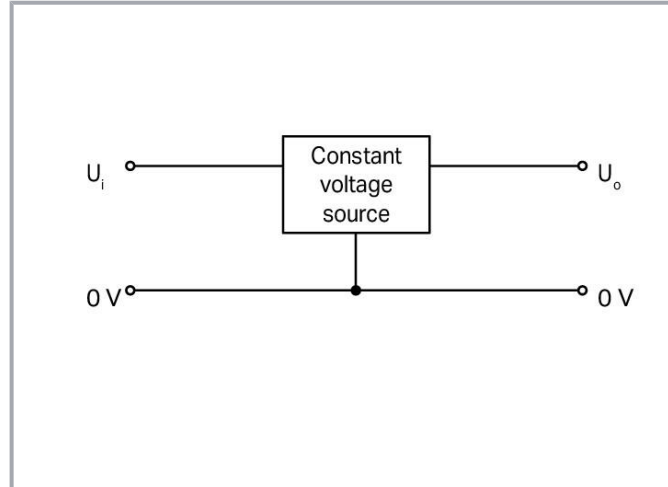
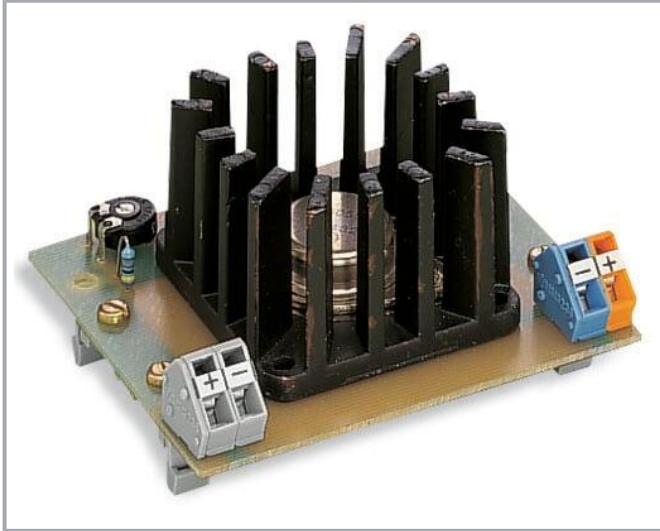


## Data sheet | Item number: 289-907

Constant voltage source; 27 ... 35 VDC input voltage; 24 VDC output voltage; 3 A output current; with mounting feet



[www.wago.com/289-907](http://www.wago.com/289-907)



## Data

### Technical data

#### Input

Input voltage range	DC 27 ... 35 V
Nominal mains frequency range	0 Hz

#### Output

Nominal output voltage $U_{o \text{ nom}}$	DC 24 V
Output voltage range	$\pm 10 \%$
Nominal output current $I_{o \text{ nom}}$	3 A

#### Safety and protection

Protection type	IP00; per EN 60529
Pollution degree	2
Series operation	No

Subject to changes. Please also observe the further product documentation!

WAGO GmbH & Co. KG  
Hansastr. 27  
32423 Minden  
Phone: +49571 887-0 | Fax: +49571 887-169  
Email: [info.de@wago.com](mailto:info.de@wago.com) | Web: [www.wago.com](http://www.wago.com)

Do you have any questions about our products?  
We are always happy to take your call at +49 (571) 887-44222.



## Connection data

Connection technology	CAGE CLAMP®
WAGO connector	WAGO 236 Series
Solid conductor	0.08 ... 2.5 mm <sup>2</sup> / 28 ... 12 AWG
Fine-stranded conductor	0.08 ... 2.5 mm <sup>2</sup> / 28 ... 12 AWG
Strip length	5 ... 6 mm / 0.2 ... 0.24 inches
Note (conductor cross-section)	12 AWG: THHN, THWN

## Physical data

Width	78.5 mm / 3.091 inches
Height from upper-edge of DIN-rail	39 mm / 1.535 inches
Depth	66 mm / 2.598 inches

## Mechanical Data

Mounting type	DIN-35 rail
---------------	-------------

## Material Data

Fire load	0.054 MJ
Weight	170.7 g

## Environmental requirements

Ambient temperature (operation)	-25 ... +40 °C
---------------------------------	----------------

## Standards and specifications

Conformity marking	CE
--------------------	----

## Commercial data

Product Group	6 (INTERFACE ELECTRONIC)
eCl@ss 10.0	27-04-07-01
eCl@ss 9.0	27-04-07-01
ETIM 8.0	EC002540
ETIM 7.0	EC002540
PU (SPU)	10 (1) pcs
Packaging type	box
Country of origin	DE

Subject to changes. Please also observe the further product documentation!




GTIN	4050821157557
Customs tariff number	85044083900

## Environmental Product Compliance

CAS-No.	7439-92-1 79-94-7
REACH Candidate List Substance	2,2',6,6'-tetrabromo-4,4'-isopropylidenediphenol Lead
RoHS Compliance Status	Compliant,With Exemption
RoHS Exemption	6(c) 7(a) 7(c)-I 7(c)-II
SCIP notification number (Austria)	2dfe8c6c-8af9-4667-a2b2-239ac06daa6b
SCIP notification number (Belgium)	69dc9620-5adc-4bdf-86c3-4af1dc991829
SCIP notification number (Bulgaria)	9c65da16-107c-41cc-881c-b963a0beea2e
SCIP notification number (Czech Republic)	9cbd42be-360e-48c8-a2ba-a89cedc26980
SCIP notification number (Denmark)	92ee9086-8727-4ea1-b8f9-918e3b1e8d58
SCIP notification number (Finland)	75ff3c3a-9d5f-4bbb-ab89-916596539fa2
SCIP notification number (France)	9b2d5da7-eb0d-4968-9c3d-92664fc3eef5
SCIP notification number (Germany)	11ca3c5f-1f86-4a07-bd96-6b1f65ffb59
SCIP notification number (Hungary)	688585c9-b954-46d0-ab5b-58de8d2e0c22
SCIP notification number (Italy)	c448831e-a0ea-4567-ae8a-571e7eb30085
SCIP notification number (Netherlands)	54aad77c-75f6-437a-b357-9aeee094730e
SCIP notification number (Poland)	a55a37df-225d-4646-9609-c36ca14dd34d
SCIP notification number (Romania)	811c5318-3fd1-4222-9ec7-7a2eb0d1cf8c
SCIP notification number (Sweden)	c47744d8-ac4a-418f-a858-6df75f86d0b2

## Approvals / Certificates

### General approvals

Logo	Approval	Additional Approval Text	Certificate name
	EAC Brjansker Zertifizierungsstelle	TP TC 020/2011	EAC_Certificate_RU_C- DE.AM02.B.00115_19

## Optional accessories

### Marking accessories

Subject to changes. Please also observe the further product documentation!

WAGO GmbH & Co. KG  
Hansastr. 27  
32423 Minden  
Phone: +49571 887-0 | Fax: +49571 887-169  
Email: [info.de@wago.com](mailto:info.de@wago.com) | Web: [www.wago.com](http://www.wago.com)

Do you have any questions about our products?  
We are always happy to take your call at +49 (571) 887-44222.

Marking strip



**Item no.: 210-831**  
Marking strips; on reel; 2.3 mm wide; plain; Self-adhesive; white

[www.wago.com/210-831](http://www.wago.com/210-831)



**Item no.: 210-832**  
Marking strips; on reel; 3 mm wide; plain; Self-adhesive; white

[www.wago.com/210-832](http://www.wago.com/210-832)

Tool

Operating tool



**Item no.: 210-720**  
Operating tool; Blade: 3.5 x 0.5 mm; with a partially insulated shaft; multicoloured

[www.wago.com/210-720](http://www.wago.com/210-720)

Downloads

Documentation

Bid Text

289-907 X81 - Datei	2019 Feb 19	xml 3.2 kB	Download
289-907 doc - Datei	2015 Feb 6	doc 23.6 kB	Download

Instruction Leaflet

pdf  
1.3 MB  
Download

Additional Information

Disposal and Recycling Electrical and electronic equipment, Batteries, Packaging	V 1.1.0 2022 Aug 18	pdf 2.2 MB	Download
---	------------------------	---------------	----------

CAD/CAE-Data

CAE data

WSCAD Universe 289-907	URL	Download
EPLAN Data Portal 289-907	URL	Download

Environmental Product Compliance

Subject to changes. Please also observe the further product documentation!



### Compliance Search

Environmental Product Compliance 289-907

URL

Download

Constant voltage source; 27 ... 35 VDC input voltage; 24 VDC output voltage; 3 A output current; with mounting feet

---

### Installation Notes

Subject to changes. Please also observe the further product documentation!

---

WAGO GmbH & Co. KG

Hansastr. 27

32423 Minden

Phone: +49571 887-0 | Fax: +49571 887-169

Email: [info.de@wago.com](mailto:info.de@wago.com) | Web: [www.wago.com](http://www.wago.com)

Do you have any questions about our products?

We are always happy to take your call at +49 (571) 887-44222.