

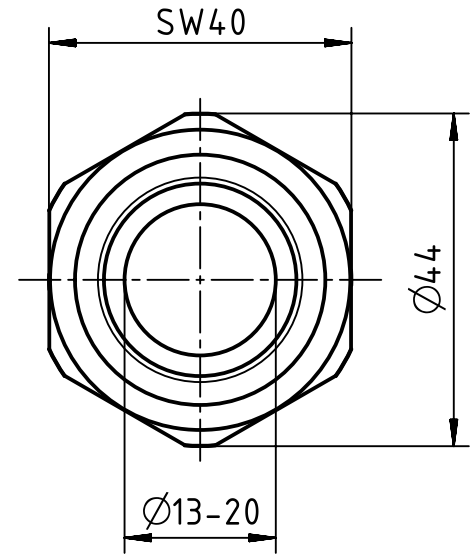
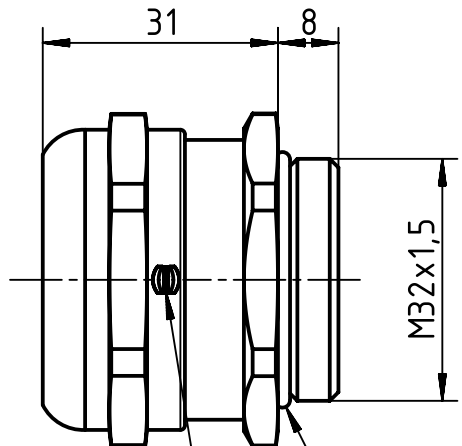
1 2 3 4 5 6

A

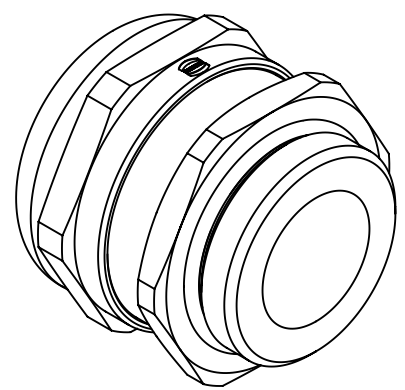
B


C

D



O-Ring included
Position of the Logo may vary



	All rights reserved		Created by LONGL		Inspected by DINGB		Standardisation TIEMANNA		Date 2016-03-04		State Final Release	
	Department EL PD - DE		Title Han CGM-M M32x1,5 D.13-20mm		Number 19 00 000 5094		Doc-Key / ECM-Nr. 100091067/UGD/004/B 500000100783		Rev. B		Page 1/1	
HARTING Electric GmbH & Co. KG D-32339 Espelkamp			All Dimensions in mm Original Size DIN A4		Scale 1:1		Free size tol.		Ref. Sub.			