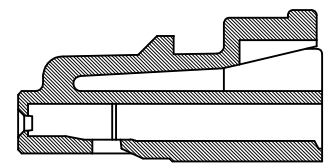
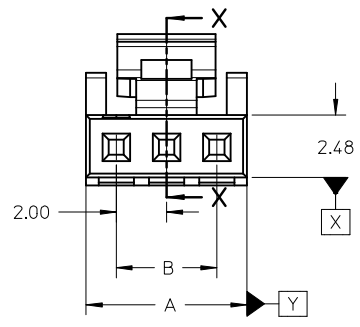
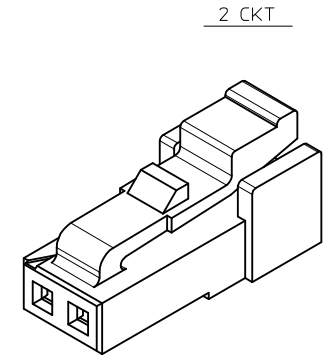
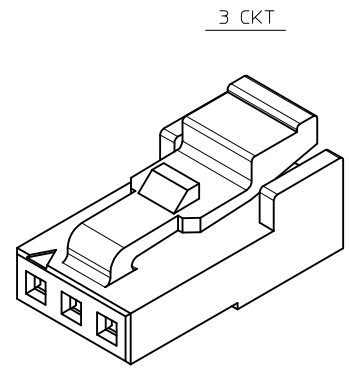
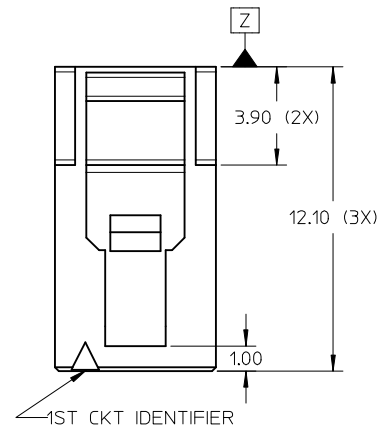
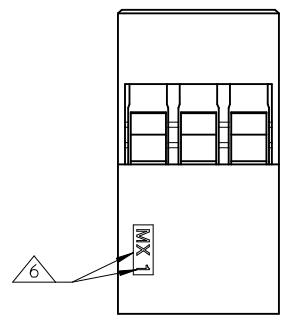
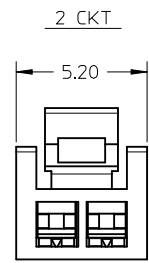
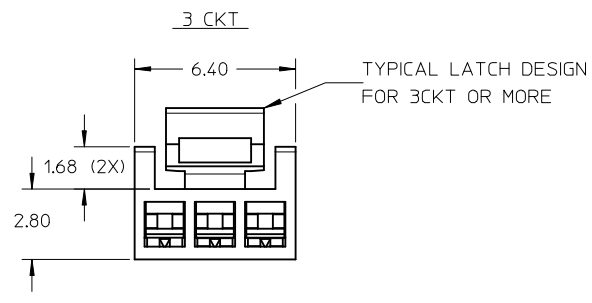


10 9 8 7 6 5 4 3 2 1

MATERIAL NO.	CKT SIZE	DIM A	DIM B
1511000002	2	4.40	2.00
1511000003	3	6.40	4.00
1511000004	4	8.40	6.00
1511000005	5	10.40	8.00
1511000006	6	12.40	10.00
1511000007	7	14.40	12.00
1511000008	8	16.40	14.00
1511000009	9	18.40	16.00
1511000010	10	20.40	18.00



SECTION X-X



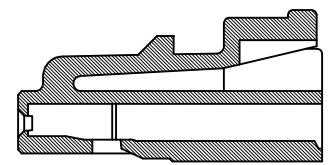
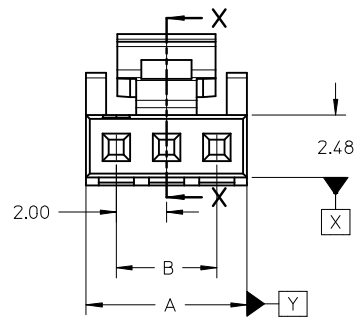
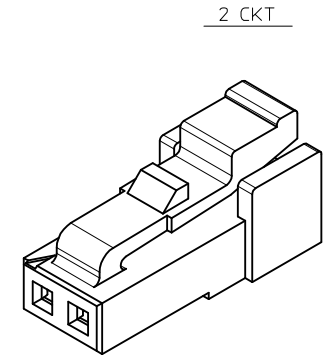
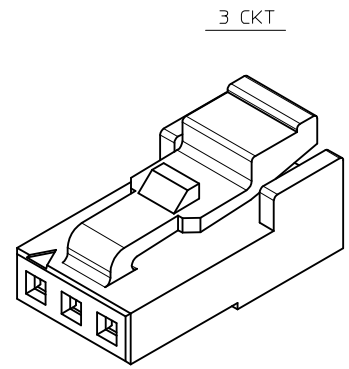
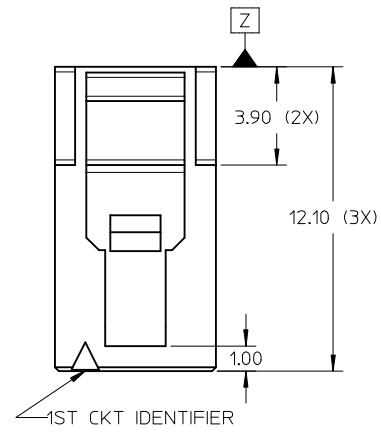
- NOTES:
1. MATERIAL: NON GLASS FILLED THERMOPLASTIC, BLACK, UL94V-0.
  2. PRODUCT SPECIFICATIONS: PS-151062-0001.
  3. PACKAGING: TRAY.  
PACKAGING SPECIFICATION: PK-151100-0001.
  4. HOUSING TO BE ASSEMBLED WITH MOLEX FEMALE CRIMP TERMINAL: 50394-\*\*\*\*.
  5. HOUSING TO BE MATED WITH MOLEX PCB HEADER AND CRIMP HEADER SERIES: 151062, 151063, 151064, 151065, 151098
  6. MANUFACTURER ID AND CAVITY NO. IS LOCATED APPROXIMATELY AS SHOWN.

REV	DESCRIPTION	QUALITY SYMBOLS	GENERAL TOLERANCES (UNLESS SPECIFIED)		DIMENSION STYLE		SCALE	DESIGN UNITS	THIRD ANGLE PROJECTION	
			mm	INCH	MM ONLY	NTS	METRIC			
A	ERROR CORRECTION	$\nabla_{\text{F}}=0$ $\nabla_{\text{E}}=0$ $\nabla_{\text{A}}=0$	4 PLACES	± ---	± ---	DRAWN BY	DATE	<b>SALES DRAWING</b> <b>CRIMP RECEPTACLE HOUSING</b> <b>SINGLE ROW MILLIGRID</b> 	DOCUMENT NO. <b>SD-151100-0001</b>	SHEET NO. 1 OF 1
	EC NO: S2016-0665		3 PLACES	± ---	± ---	FCS00	2015/01/07			
	DRWN:FCS00		2 PLACES	± 0.20	± ---	CHECKED BY	DATE			
	CH'KD:CGOH		1 PLACE	± ---	± ---	FCS00	2015/01/07			
	APPR:KHLIM		0 PLACE	± ---	± ---	APPROVED BY	DATE			
			ANGULAR ± 3 °		KHLIM	2015/07/02	SEE TABLE			
			DRAFT WHERE APPLICABLE MUST REMAIN WITHIN DIMENSIONS		MATERIAL NO.		SEE TABLE			
					SIZE <b>A3</b>		THIS DRAWING CONTAINS INFORMATION THAT IS PROPRIETARY TO MOLEX INCORPORATED AND SHOULD NOT BE USED WITHOUT WRITTEN PERMISSION			

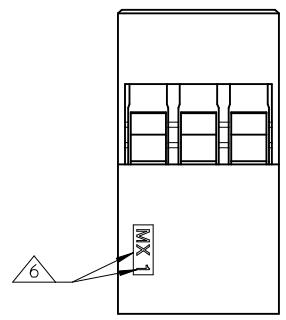
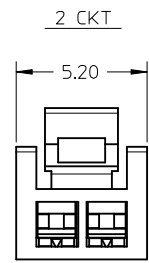
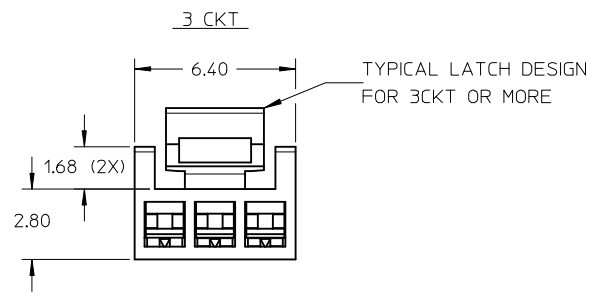
9 8 7 6 5 4 3 2 1

10 9 8 7 6 5 4 3 2 1

MATERIAL NO.	CKT SIZE	DIM A	DIM B
1511000002	2	4.40	2.00
1511000003	3	6.40	4.00
1511000004	4	8.40	6.00
1511000005	5	10.40	8.00
1511000006	6	12.40	10.00
1511000007	7	14.40	12.00
1511000008	8	16.40	14.00
1511000009	9	18.40	16.00
1511000010	10	20.40	18.00



SECTION X-X



- NOTES:
1. MATERIAL: NON GLASS FILLED THERMOPLASTIC, BLACK, UL94V-0.
  2. PRODUCT SPECIFICATIONS: PS-151062-0001.
  3. PACKAGING: TRAY.  
PACKAGING SPECIFICATION: PK-151100-0001.
  4. HOUSING TO BE ASSEMBLED WITH MOLEX FEMALE CRIMP TERMINAL: 50394-\*\*\*\*.
  5. HOUSING TO BE MATED WITH MOLEX PCB HEADER AND CRIMP HEADER SERIES: 151062, 151063, 151064, 151065, 151098
  6. MANUFACTURER ID AND CAVITY NO. IS LOCATED APPROXIMATELY AS SHOWN.

REV	DESCRIPTION	QUALITY SYMBOLS	GENERAL TOLERANCES (UNLESS SPECIFIED)		DIMENSION STYLE		SCALE	DESIGN UNITS	THIRD ANGLE PROJECTION	
			mm	INCH	MM ONLY	NTS				METRIC
A	ERROR CORRECTION	$\nabla_{\text{F}}=0$ $\nabla_{\text{E}}=0$ $\nabla_{\text{A}}=0$	4 PLACES	± ---	± ---	DRAWN BY	DATE	<b>SALES DRAWING</b> <b>CRIMP RECEPTACLE HOUSING</b> <b>SINGLE ROW MILLIGRID</b> 	SHEET NO. 1 OF 1	
	EC NO: S2016-0665		3 PLACES	± ---	± ---	FCS00	2015/01/07			
	DRWN:FCS00		2 PLACES	± 0.20	± ---	CHECKED BY	DATE			
	CH'KD:CGOH		1 PLACE	± ---	± ---	FCS00	2015/01/07			
	APPR:KHLIM		0 PLACE	± ---	± ---	APPROVED BY	DATE			
			ANGULAR ± 3 °		KHLIM	2015/07/02	MATERIAL NO.	DOCUMENT NO.		
			DRAFT WHERE APPLICABLE MUST REMAIN WITHIN DIMENSIONS		SEE TABLE		SD-151100-0001			
			THIS DRAWING CONTAINS INFORMATION THAT IS PROPRIETARY TO MOLEX INCORPORATED AND SHOULD NOT BE USED WITHOUT WRITTEN PERMISSION							

9 8 7 6 5 4 3 2 1