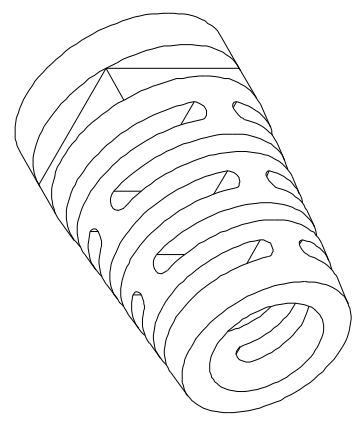
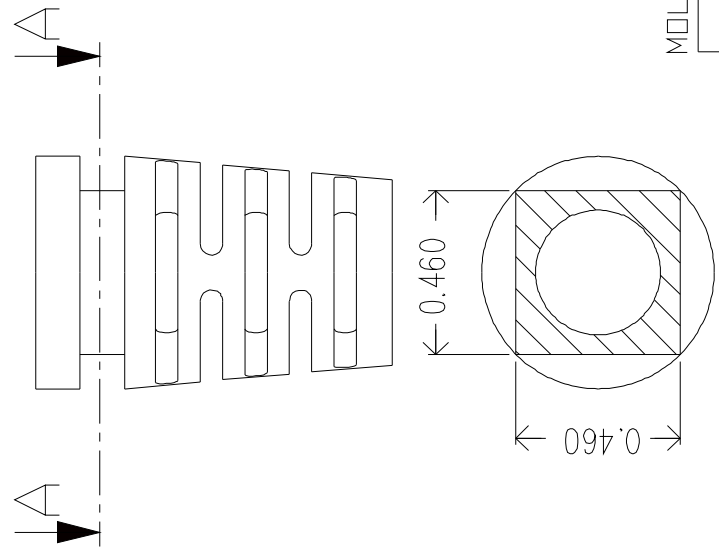
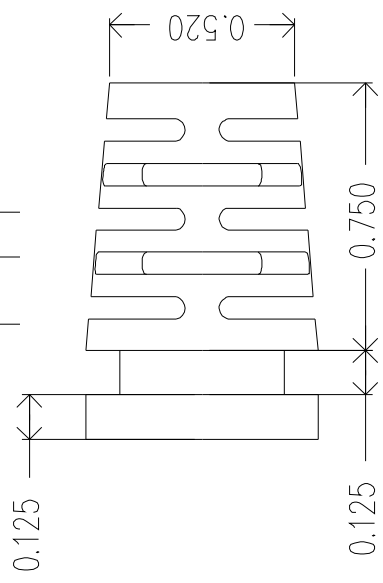
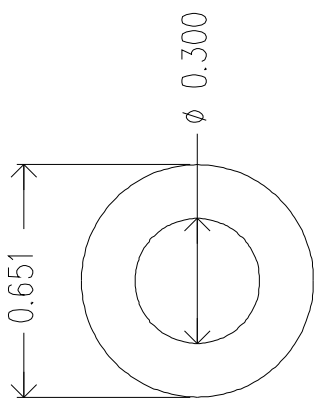


REVISIONS		DATE	APPROVED
ZONE	REV.		



MOLD MATERIAL: ISC P/N: 5000214, PVC, M1472, Black, RoHS

DRAWN	NAME	DATE	ISC Engineering
R FIERRO	R FIERRO	04/16/04	4351 Schaefer Ave, Chino, CA 91710
CHECKED			Ph: 909-596-3315 Fax: 909-596-3335
ENG APPR			www.iscengineering.com
MFG APPR			www.overmoldtooling.com
O.A.			Standard Strain Relief
COMMENTS:			1461080-300-E-460X460-651-0
			SIZE DWG. NO. 1467118
			SCALE:2:1
			WEIGHT:
			SHEET 1 OF 1

DIMENSIONS ARE IN INCHES	
FRACTIONAL ±	BEND ±
ANGULAR: MACH ±	TWO PLACE DECIMAL ±
THREE PLACE DECIMAL ±	
MATERIAL	---
FINISH	---
USED ON	
APPLICATION	DO NOT SCALE DRAWING

A-A
 Dimensions are subject to change.
 PROPRIETARY AND CONFIDENTIAL
 THE INFORMATION CONTAINED IN THIS
 DRAWING IS THE SOLE PROPERTY OF
 ISC ENGINEERING. ANY REPRODUCTION IN
 PART OR AS A WHOLE WITHOUT THE WRITTEN
 PERMISSION OF ISC ENGINEERING IS
 PROHIBITED.

