

Sensor/actuator cable - SAC-2P-SUSMS/10,0-PUR - 1410756


Please be informed that the data shown in this PDF Document is generated from our Online Catalog. Please find the complete data in the user's documentation. Our General Terms of Use for Downloads are valid (<http://phoenixcontact.com/download>)



Sensor/actuator cable, 2-position, PUR halogen-free, black-gray RAL 7021, Plug straight Superseal Clip locking, on free cable end, cable length: 10 m

RoHS

Key Commercial Data

| | |
|--------------|---|
| Packing unit | 1 pc |
| GTIN |  4 046356 924450 |
| GTIN | 4046356924450 |

Technical data

Dimensions

| | |
|-----------------|------|
| Length of cable | 10 m |
|-----------------|------|

Ambient conditions

| | |
|---------------------------------|------------------------------|
| Ambient temperature (operation) | -20 °C ... 85 °C (Superseal) |
| Degree of protection | IP67 |

General

| | |
|------------------------------|--------------|
| Rated current at 40°C | 8 A |
| Rated voltage | 24 V AC |
| | 24 V DC |
| Number of positions | 2 |
| Color handle area | black |
| Insulation resistance | ≥ 100 MΩ |
| Coding | A - standard |
| Status display | No |
| Protective circuit/component | unwired |

Material

| | |
|--|----|
| Flammability rating according to UL 94 | HB |
|--|----|

Sensor/actuator cable - SAC-2P-SUSMS/10,0-PUR - 1410756

Technical data

Material

| | |
|--------------------------|---------------|
| Contact material | CuZn |
| Contact surface material | Nickel-plated |
| Contact carrier material | PA 6.6 |
| Material of grip body | PA |
| Material, knurls | not available |
| Sealing material | Silicon |

Standards and Regulations

| | |
|--|----|
| Flammability rating according to UL 94 | HB |
|--|----|

Cable

| | |
|---|---------------------------------------|
| Cable type | PUR halogen-free black |
| Cable type (abbreviation) | PUR |
| Cable abbreviation | Li9Y11Y |
| UL AWM style | 20549 / 10493 (80°C/300 V) |
| Conductor cross section | 2x 0.75 mm ² (Signal line) |
| AWG signal line | 18 |
| Conductor structure signal line | 42x 0.15 mm |
| Core diameter including insulation | 1.69 mm ±0.05 mm (Signal line) |
| Thickness, insulation | ≥ 0.21 mm |
| Wire colors | brown, blue |
| Overall twist | 2 wires, twisted |
| External sheath, color | black-gray RAL 7021 |
| Outer sheath thickness | ≥ 0.38 mm |
| External cable diameter D | 4.8 mm ±0.15 mm |
| Minimum bending radius, fixed installation | 5 x D |
| Minimum bending radius, flexible installation | 10 x D |
| Number of bending cycles | 4000000 |
| Bending radius | 48 mm |
| Traversing path | 10 m |
| Traversing rate | 3 m/s |
| Acceleration | 10 m/s ² |
| Cable weight | 33 kg/km |
| Outer sheath, material | PUR |
| Material conductor insulation | PP |
| Conductor material | Bare Cu litz wires |
| Insulation resistance | ≥ 1 GΩ*km (at 20 °C) |
| Conductor resistance | ≤ 26 Ω/km (at 20 °C) |
| Nominal voltage, cable | ≤ 300 V AC |
| Test voltage, cable | ≥ 3000 V AC (Spark test) |
| Special properties | flexible |
| | Flexible cable conduit capable |

Sensor/actuator cable - SAC-2P-SUSMS/10,0-PUR - 1410756

Technical data

Cable

| | |
|---------------------------------|--|
| Flame resistance | according to UL 758/1581 (horizontal) |
| | in accordance with UL 758/1581 FT2 |
| | according to DIN EN 60332-2-2 |
| Halogen-free | in accordance with DIN VDE 0472 part 815 |
| | in accordance with DIN EN 50267-2-1 |
| Resistance to oil | According to DIN EN 60811-2-1, 168 h at 100°C |
| | According to UL 758, 168 h at 60°C |
| Other resistance | hydrolysis and microbe resistant |
| | partly UV-resistant in accordance with DIN EN ISO 4892-2-A |
| | Low adhesion |
| | abrasion-resistant |
| Ambient temperature (operation) | -40 °C ... 80 °C (cable, fixed installation) |
| | -25 °C ... 80 °C (cable, flexible installation) |

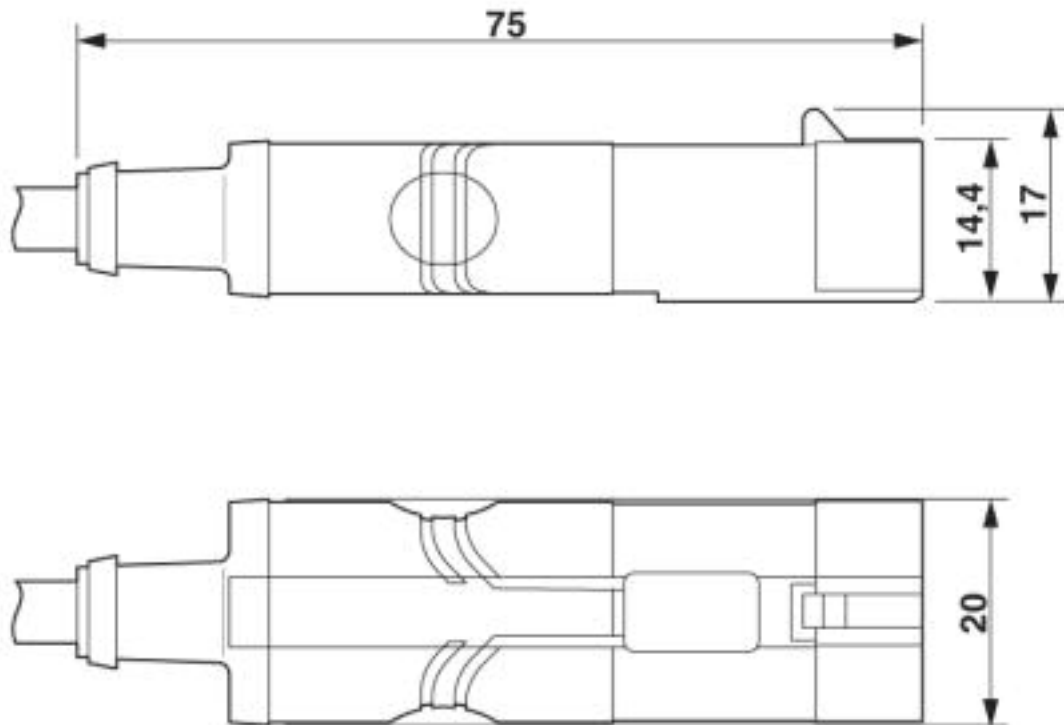
Environmental Product Compliance

| | |
|------------|---|
| China RoHS | Environmentally friendly use period: unlimited = EFUP-e |
| | No hazardous substances above threshold values |

Drawings

Sensor/actuator cable - SAC-2P-SUSMS/10,0-PUR - 1410756

Dimensional drawing



Superseal, plug, view from above and side

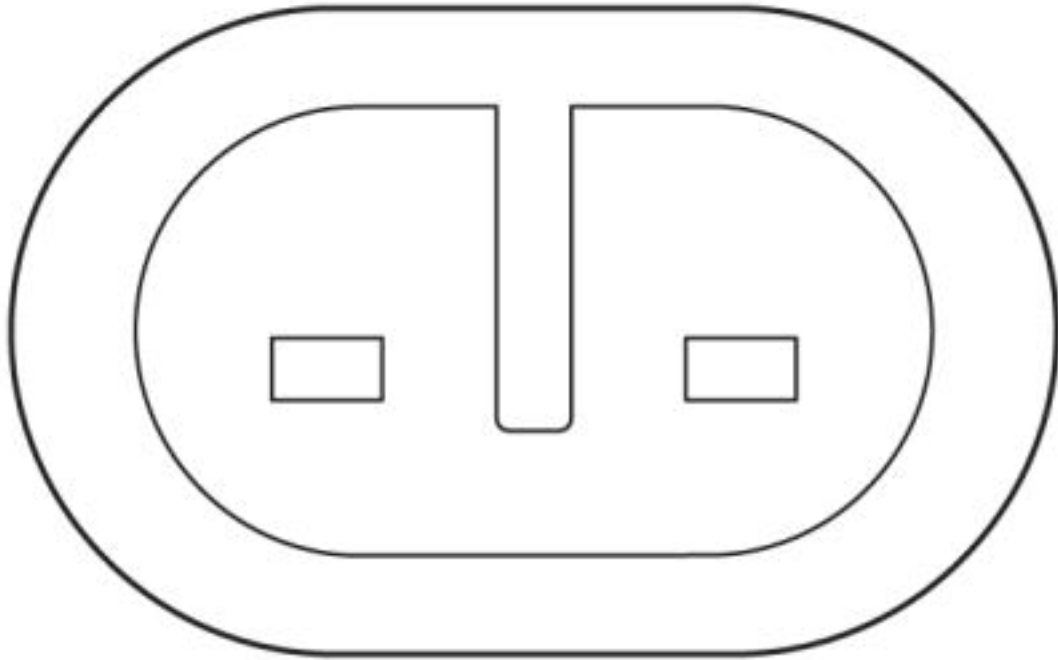
Circuit diagram



Contact assignment of the super seal plug

Sensor/actuator cable - SAC-2P-SUSMS/10,0-PUR - 1410756

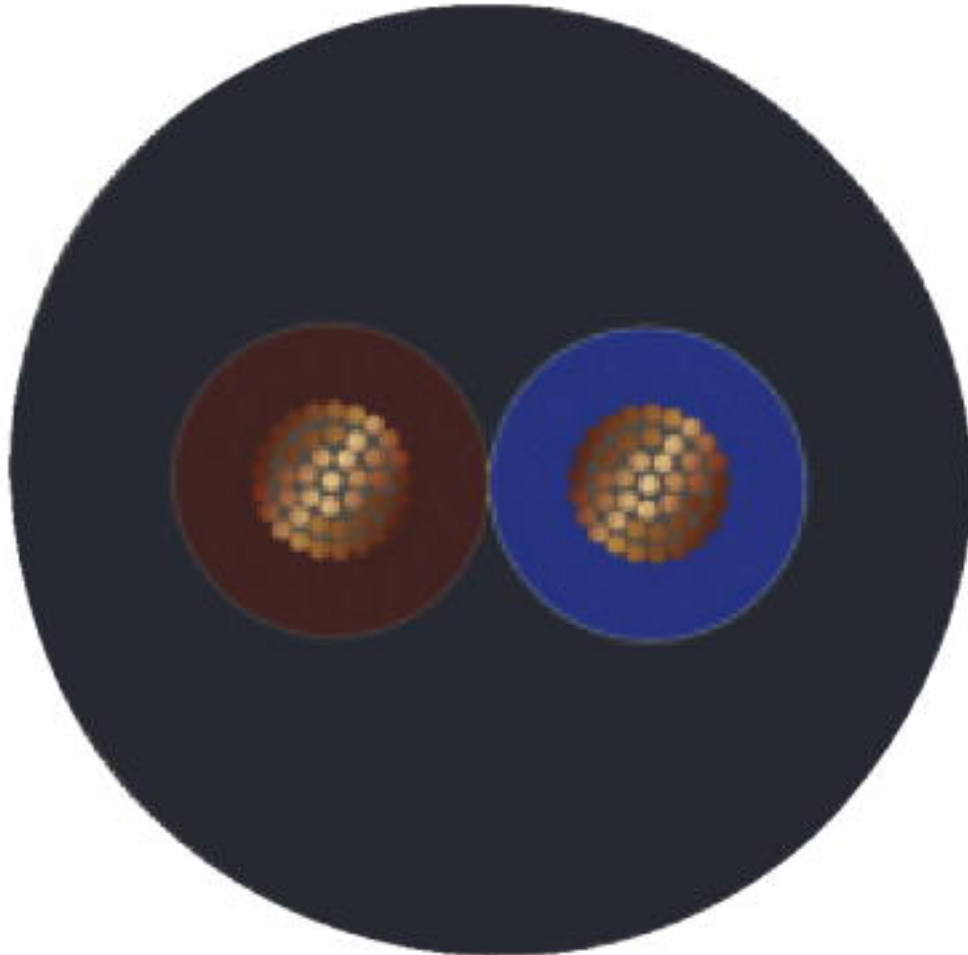
Schematic diagram



Super seal plug pin assignment, 2-pos.

Sensor/actuator cable - SAC-2P-SUSMS/10,0-PUR - 1410756

Cable cross section



PUR halogen-free black [PUR]

Phoenix Contact 2019 © - all rights reserved
<http://www.phoenixcontact.com>

PHOENIX CONTACT GmbH & Co. KG
Flachsmarktstr. 8
32825 Blomberg
Germany
Tel. +49 5235 300
Fax +49 5235 3 41200
<http://www.phoenixcontact.com>