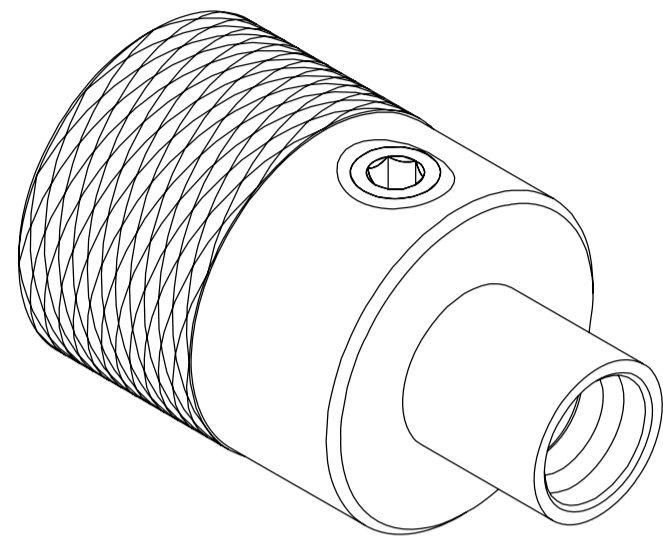
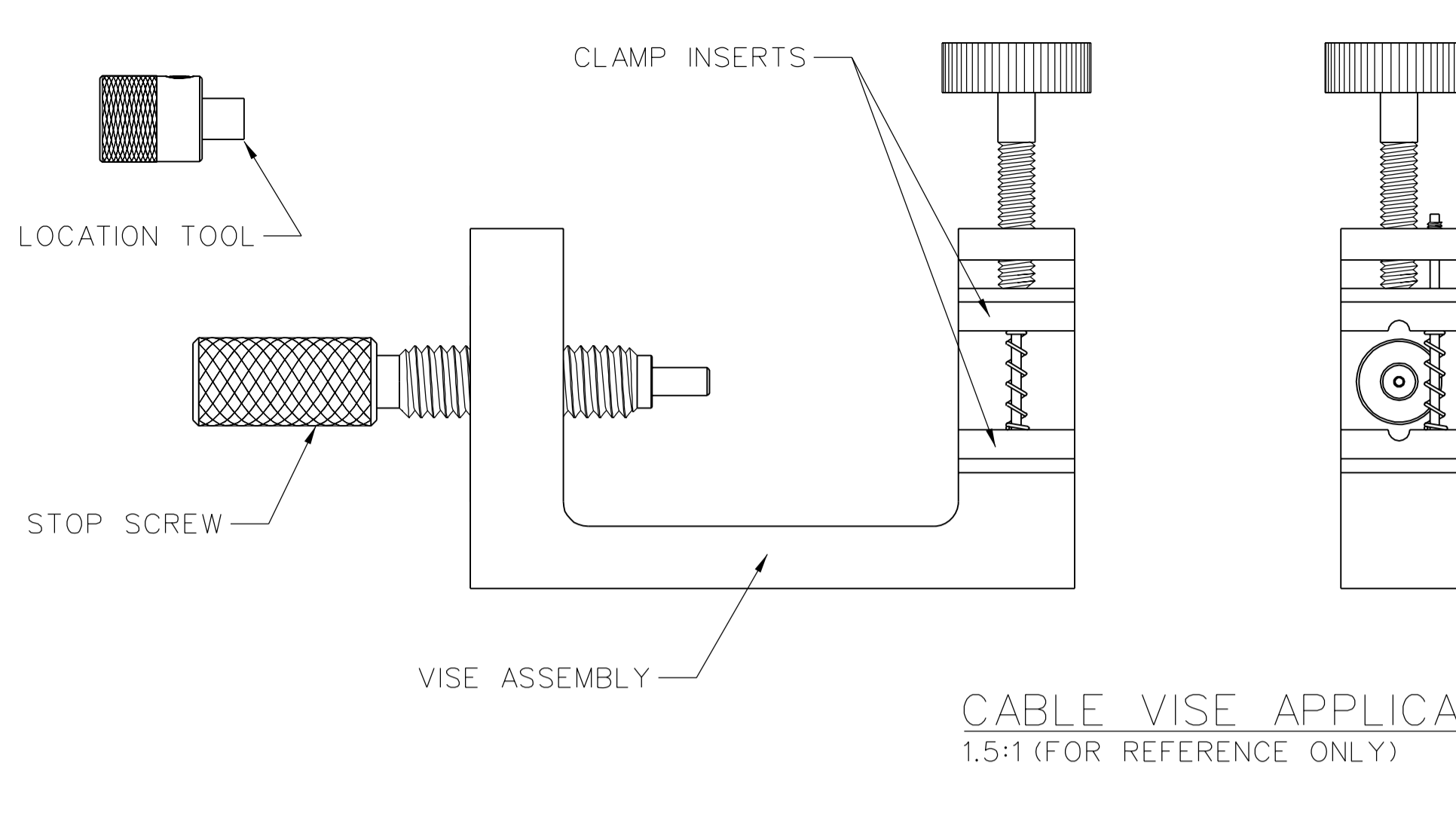


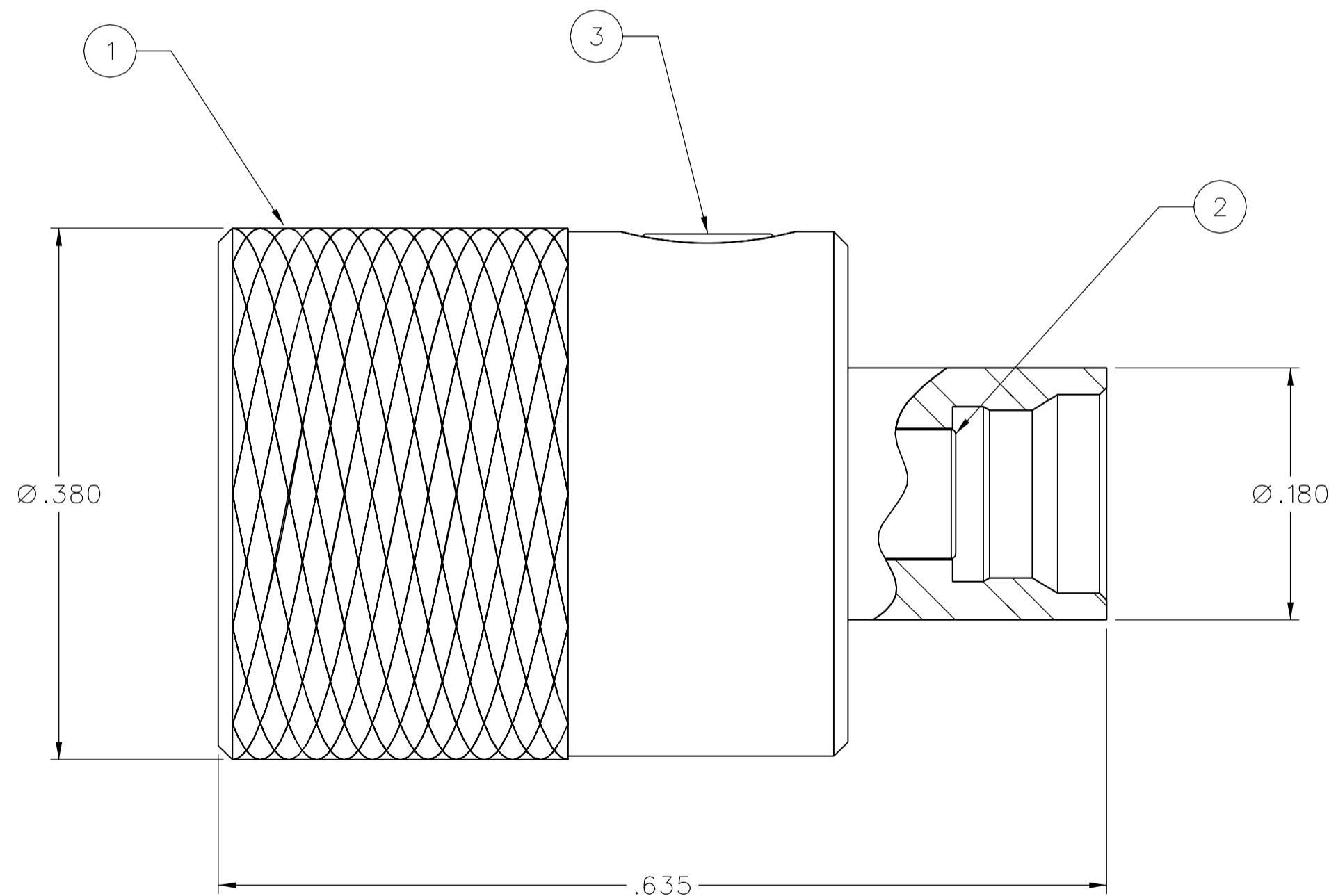
PART NUMBER	ITEM ① BODY	ITEM ② PIN	ITEM ③ SET SCREW
140-0000-903	STAINLESS STEEL PASSIVATED	STAINLESS STEEL PASSIVATED	STAINLESS STEEL



5:1



CABLE VISE APPLICATION  
1.5:1 (FOR REFERENCE ONLY)



DRAWING NO. C - 127-0000-903	
0	REVISIONS
ENGINEERING RELEASE	
1	5-29-07 PAT JKU PDW JCN 5-30-07 ECN 51051

CUSTOMER DRAWING

THIS DRAWING TO BE INTERPRETED  
PER ASME Y 14.5M - 1994

"μSTATION"

COMPANY CONFIDENTIAL

TOLERANCE UNLESS OTHERWISE SPECIFIED		DRAWN BY PAT	DATE 4-30-07
DECIMALS	mm	CHECKED BY JRK	DATE 5-29-07
.XX	_____	APPROVED BY PDW	DATE 5-29-07
.XXX REF	_____	RELEASE DATE	5-30-07
MATL	_____	U/M	INCH
FINISH	_____	SCALE	10:1



Cinch Connectivity Solutions  
P.O. Box 1732  
Waseca, MN 56093  
1-800-247-8256

TITLE  
SMP CABLED CONNECTOR  
CONTACT/INSULATOR  
LOCATION TOOL

SHEET  
2 OF 2

DRAWING NO.  
C - 127-0000-903