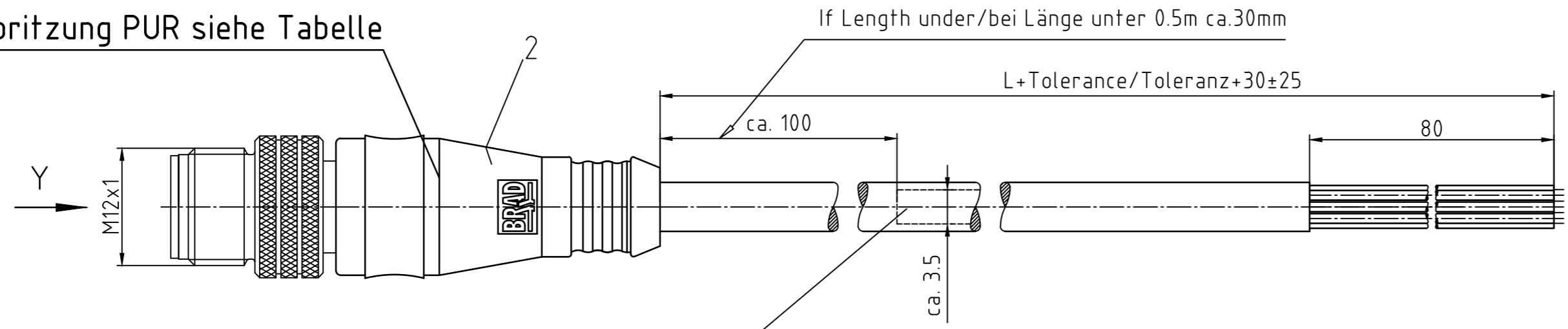
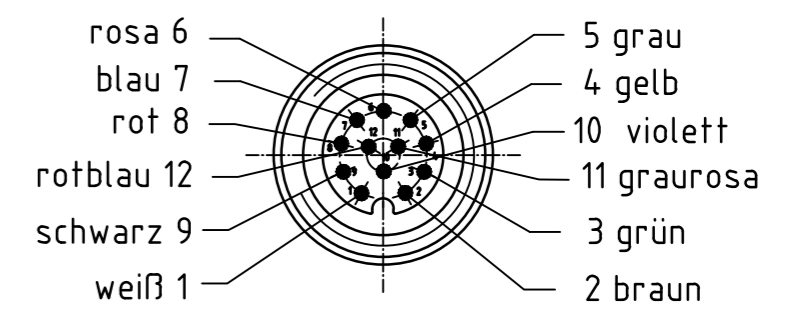


Overmold PUR see Table  
Umspritzung PUR siehe Tabelle



View/Ansicht Y  
Male Cable Connector/  
Kabelstecker  
12-Pol



Cable printing:  
Kabelbedruckung: Woodhead Connectivity GmbH 80C006H45MXXX X..

Prod. Date as defined in  
Fertigungsdatum gemäß  
WN 00001 aufdrucken

|   |   |                         |   |
|---|---|-------------------------|---|
| Allgemeine Kennwerte<br>General Characteristics |   | Norm<br>Standard        |   |
| Polzahl<br>Kontaktanordnung                     | Number of contacts<br>Contact configuration | IEC 947-5-2             | 12  |
| Bemessungsspannung                              | Rated Voltage                               | IEC 664                 | 30V AC / DC                                     |
| Verschmutzungsgrad                              | Pollution Degree                            | IEC 664                 | 3   |
| Betriebstrom                                    | Current carrying capacity                   | IEC 512-3<br>Test 5 b   | 1,5A  |
| Durchgangswiderstand                            | Contact Resistance                          | IEC 512-2<br>Test 2 a   | < 5mOhm   |
| Bemessungsstoßspannung                          | Rated Impulse<br>Withstand Voltage          | IEC 664                 | 0,8 kV  |
| Prüfspannung                                    | Test Voltage                                | IEC 60512-2<br>Test 4 A | 0,5 kV / 60 sec                                 |
| Isolationswiderstand                            | Insulation Resistance                       | IEC 512-2<br>Test 3 A   | > 10 GOhm                                       |
| IP-Schutzart                                    | IP Degree of Protection                     | IEC 529                 | IP 67   |
| Stiftdurchmesser                                | Pin Diameter                                |                         | 0,6 mm  |
| Werkstoffe                                      | Kontakte                                    | Materials               | Contacts  |
|   | Kontaktfläche                               |                         | Contacts Plating                                |
|   | Kontaktträger                               |                         | Dielectric Material                             |
|   | Gehäuse (Umspritzung)                       |                         | Housing (Overmold)                              |
|   | Dichtung (O-Ring)                           |                         | Gaskets (O-Ring)                                |
| Schraubhülse                                    | Screw Sleeve                                |                         | CuZn (brass) mit<br>Ni-Oberfläche Nickel Plated |
| Anschlussart                                    |   | Termination             | Crimp   |
| Brennbarkeit                                    | Kontaktträger                               | Flammfähigkeit          | Inserts   |
|   | Gehäuse (Umspritzung)                       |                         | Housing (Overmold)                              |
|   | Leitung / Kabel                             |                         | Cable   |
|   |   | UL 94                   | HB<br>HB  |
|   |   |                         | DIN EN265-2-1/UL1581-VW1-Page 95A               |
| Mechanische Lebensdauer                         |   | Mechanical Operation    | 100 Steckzyklen/Mating Cycles                   |
| Temperaturbereich                               |   | Temperature Range       | IEC 60668-1<br>-25°C / +90°C                    |

| SAP-Nummer | Engineering Nr.: | Umspritzungsfarbe | Länge  |
|------------|------------------|-------------------|--------|
| SAP-Number |                  | Overmold Color    | Length |
| 1200655045 | 80C006H45M020    | black             | 2M     |
| 1200655047 | 80C006H45M050    | black             | 5M     |

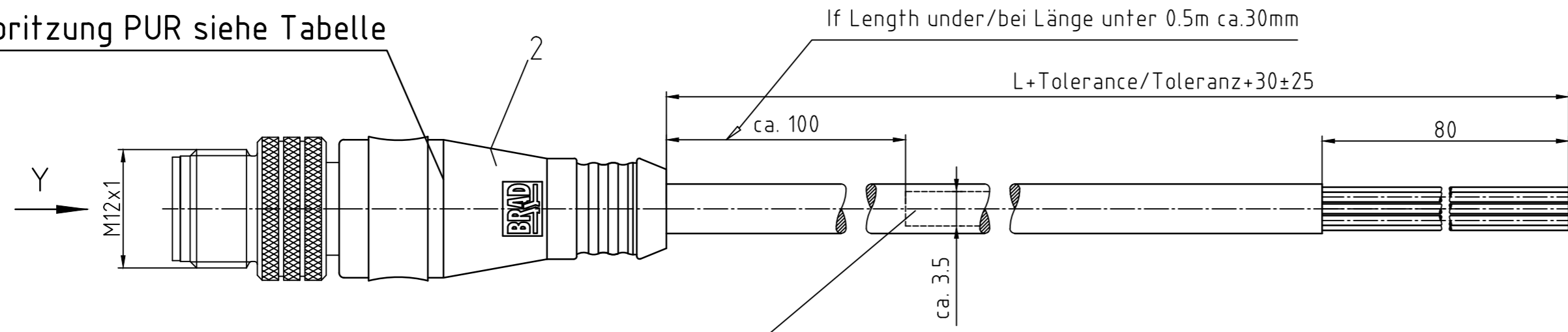
| Toleranzen Maß L: sichtbare Kabellänge<br>bei M8 , M12 und M12U |              |
|---|--------------|
| von 0 bis 0.6 m:  | ±10 mm       |
| über 0.6 bis 1 m:   | +30 / -10 mm |
| über 1 bis 5 m:   | ±25 mm       |
| über 5 bis 20 m:  | ±30 mm       |
| über 20 m:  | ±50 mm       |

|  |   |
|--|---|
| BU/ BLUE<br>WH/WHITE<br>GN/ GREEN<br>GY/ GREY<br>PK/ PINK<br>YE/ YELLOW<br>RD/ RED<br>BK/ BLACK<br>VT/ VIOLET<br>BN/ BROWN | bl/blau<br>ws/weiß<br>gn/ grün<br>gr/ grau<br>rs/ rosa<br>ge/ gelb<br>rt/ rot<br>sw/schwarz<br>vi/ violett<br>bn/ braun |
|--|---|

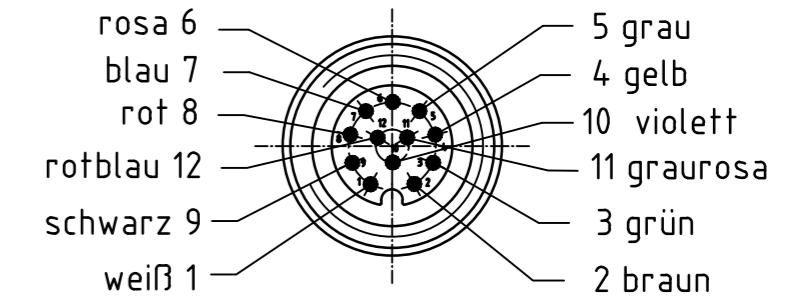
|   |                 |  |   |   |              |   |
|---|-----------------|--|---|---|--------------|---|
| DESCRIPTION<br>EC NO: IPG2014-2010<br>DRWN: RSCHIEBE 2014/05/21<br>CHKD: APOHL<br>APPR: CBURGER | QUALITY SYMBOLS | GENERAL TOLERANCES (UNLESS SPECIFIED)  | DIMENSION STYLE   | SCALE   | DESIGN UNITS | FIRST ANGLE PROJECTION<br><br><b>CSE M12 12P AC MA STR<br/>PUR XM SE BK BRA AU</b><br>----<br><b>MOLEX INCORPORATED</b><br>SD-80C006H45MXXX<br>1 OF 1 |
|   | ▼ = 0<br>▽ = 0  | mm INCH<br>4 PLACES ±--- ±---<br>3 PLACES ±--- ±---<br>2 PLACES ±0.05 ±---<br>1 PLACE ±0.1 ±---<br>ANGULAR ± --- ° | MM  | 2:1   | METRIC       |   |
|   |                 | DRAFT WHERE APPLICABLE MUST REMAIN WITHIN DIMENSIONS   | DRAWN BY DATE<br>LS 2008/07/24<br>CHECKED BY DATE<br>US 2008/11/06<br>APPROVED BY DATE<br>----                                | MATERIAL NO. DOCUMENT NO.<br>see table SD-80C006H45MXXX |              |   |
|   | A               | SIZE A2  | THIS DRAWING CONTAINS INFORMATION THAT IS PROPRIETARY TO MOLEX INCORPORATED AND SHOULD NOT BE USED WITHOUT WRITTEN PERMISSION |   |              |   |

(...) Dim. for information  
(...) Informationsmaß

Overmold PUR see Table  
Umspritzung PUR siehe Tabelle



View/Ansicht Y  
Male Cable Connector/  
Kabelstecker  
12-Pol



Cable printing:  
Kabelbedruckung: Woodhead Connectivity GmbH 80C006H45MXXX X..

Prod. Date as defined in  
Fertigungsdatum gemäß  
WN 00001 aufdrucken

|   |   |                         |   |
|---|---|-------------------------|---|
| Allgemeine Kennwerte<br>General Characteristics |   | Norm<br>Standard        |   |
| Polzahl<br>Kontaktanordnung                     | Number of contacts<br>Contact configuration | IEC 947-5-2             | 12  |
| Bemessungsspannung                              | Rated Voltage                               | IEC 664                 | 30V AC / DC                                     |
| Verschmutzungsgrad                              | Pollution Degree                            | IEC 664                 | 3   |
| Betriebstrom                                    | Current carrying capacity                   | IEC 512-3<br>Test 5 b   | 1,5A  |
| Durchgangswiderstand                            | Contact Resistance                          | IEC 512-2<br>Test 2 a   | < 5mOhm   |
| Bemessungsstoßspannung                          | Rated Impulse<br>Withstand Voltage          | IEC 664                 | 0,8 kV  |
| Prüfspannung                                    | Test Voltage                                | IEC 60512-2<br>Test 4 A | 0,5 kV / 60 sec                                 |
| Isolationswiderstand                            | Insulation Resistance                       | IEC 512-2<br>Test 3 A   | > 10 GOhm                                       |
| IP-Schutzart                                    | IP Degree of Protection                     | IEC 529                 | IP 67   |
| Stiftdurchmesser                                | Pin Diameter                                |                         | 0,6 mm  |
| Werkstoffe                                      | Kontakte                                    | Materials               | Contacts  |
|   | Kontaktfläche                               |                         | Contacts Plating                                |
|   | Kontaktträger                               |                         | Dielectric Material                             |
|   | Gehäuse (Umspritzung)                       |                         | Housing (Overmold)                              |
|   | Dichtung (O-Ring)                           |                         | Gaskets (O-Ring)                                |
| Schraubhülse                                    | Screw Sleeve                                |                         | CuZn (brass) mit<br>Ni-Oberfläche Nickel Plated |
| Anschlussart                                    |   | Termination             | Crimp   |
| Brenn-<br>barkeit                               | Kontaktträger                               | Flamm-<br>fähigkeit     | Inserts   |
|   | Gehäuse (Umspritzung)                       |                         | Housing (Overmold)                              |
|   | Leitung / Kabel                             |                         | Cable   |
|   |   | UL 94                   | HB<br>HB  |
|   |   |                         | DIN EN265-2-1/UL1581-VW1-Page 95A               |
| Mechanische Lebensdauer                         |   | Mechanical Operation    | 100 Steckzyklen/Mating Cycles                   |
| Temperaturbereich                               |   | Temperature Range       | IEC 60668-1<br>-25°C / +90°C                    |

| SAP-Nummer | Engineering Nr.: | Umspritzungsfarbe | Länge  |
|------------|------------------|-------------------|--------|
| SAP-Number |                  | Overmold Color    | Length |
| 1200655045 | 80C006H45M020    | black             | 2M     |
| 1200655047 | 80C006H45M050    | black             | 5M     |

| Toleranzen Maß L: sichtbare Kabellänge<br>bei M8 , M12 und M12U |              |
|---|--------------|
| von 0 bis 0.6 m:  | ±10 mm       |
| über 0.6 bis 1 m:   | +30 / -10 mm |
| über 1 bis 5 m:   | ±25 mm       |
| über 5 bis 20 m:  | ±30 mm       |
| über 20 m:  | ±50 mm       |

|  |   |
|--|---|
| BU/ BLUE<br>WH/WHITE<br>GN/ GREEN<br>GY/ GREY<br>PK/ PINK<br>YE/ YELLOW<br>RD/ RED<br>BK/ BLACK<br>VT/ VIOLET<br>BN/ BROWN | bl/blau<br>ws/weiß<br>gn/ grün<br>gr/ grau<br>rs/ rosa<br>ge/ gelb<br>rt/ rot<br>sw/schwarz<br>vi/ violett<br>bn/ braun |
|--|---|

|   |                 |  |   |   |                  |   |
|---|-----------------|--|---|---|------------------|---|
| DESCRIPTION<br>EC NO: IPG2014-2010<br>DRWN: RSCHIEBE 2014/05/21<br>CHKD: APOHL<br>APPR: CBURGER | QUALITY SYMBOLS | GENERAL TOLERANCES (UNLESS SPECIFIED)  | DIMENSION STYLE   | SCALE   | DESIGN UNITS     | FIRST ANGLE PROJECTION<br><br><b>CSE M12 12P AC MA STR<br/>PUR XM SE BK BRA AU</b><br>----<br><b>MOLEX INCORPORATED</b><br>SD-80C006H45MXXX<br>1 OF 1 |
|   | ▼ = 0<br>▽ = 0  | mm INCH<br>4 PLACES ±--- ±---<br>3 PLACES ±--- ±---<br>2 PLACES ±0.05 ±---<br>1 PLACE ±0.1 ±---<br>ANGULAR ± --- ° | MM  | 2:1   | METRIC           |   |
|   |                 | DRAFT WHERE APPLICABLE MUST REMAIN WITHIN DIMENSIONS   | DRAWN BY DATE<br>LS 2008/07/24<br>CHECKED BY DATE<br>US 2008/11/06<br>APPROVED BY DATE<br>----                                | MATERIAL NO. DOCUMENT NO.<br>see table SD-80C006H45MXXX |                  |   |
|   | A               | SIZE A2  | THIS DRAWING CONTAINS INFORMATION THAT IS PROPRIETARY TO MOLEX INCORPORATED AND SHOULD NOT BE USED WITHOUT WRITTEN PERMISSION |   | SHEET NO. 1 OF 1 |   |

(...) Dim. for information  
(...) Informationsmaß