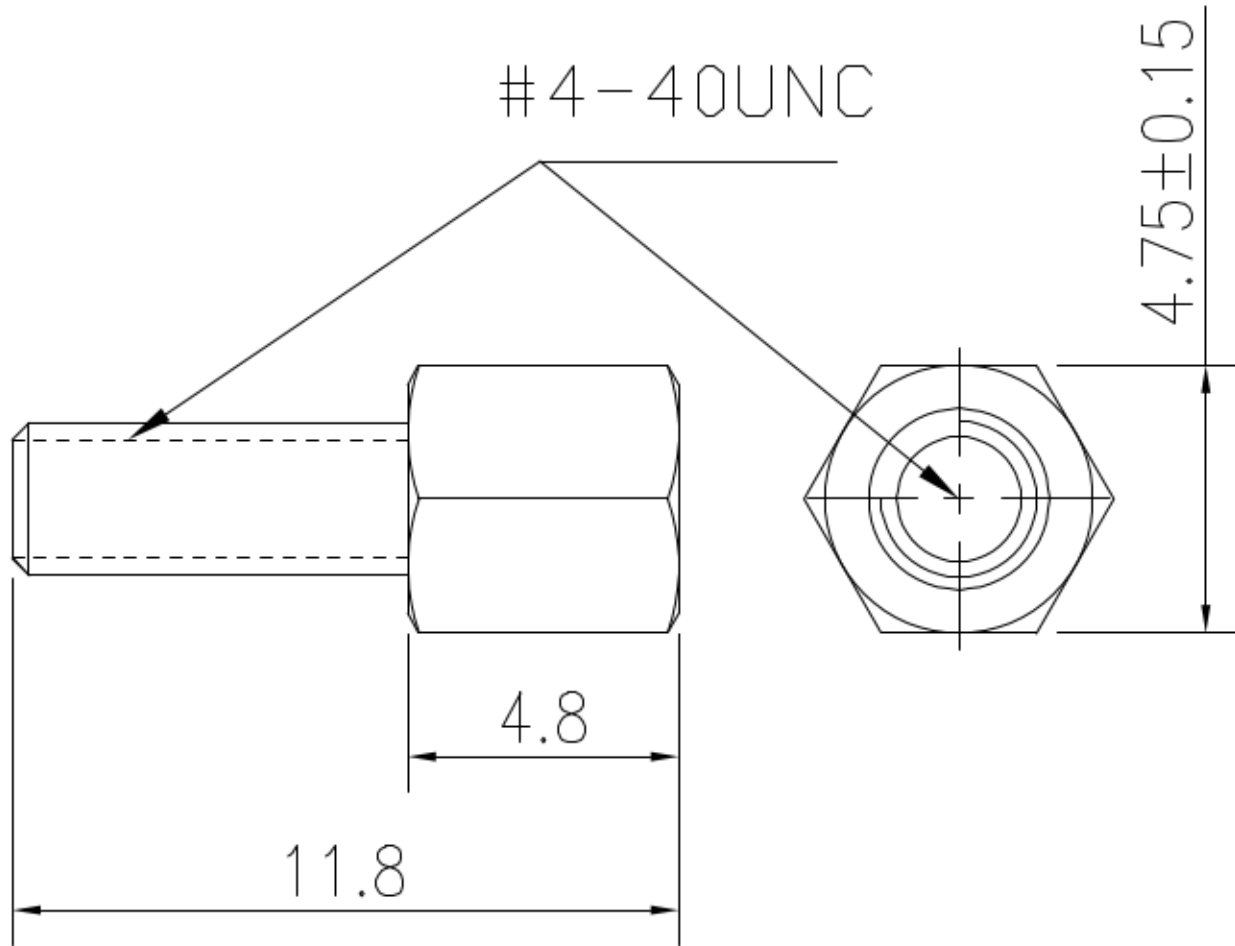


Screw

REV.	DESCRIPTION	DATE
A	RELEASE	2019.05.16

#4-40UNC



UNLESS TOLERANCE		DRAW BY		CnC Tech, LLC
GENERAL	ANGLE	DESIGN BY	CHECK BY	
X. ± 0.30	X.' ± 3.0'	CHECK BY	APPROVE BY	
.X ± 0.20	.X' ± 2.0'	SCALE	SHEET	
.XX ± 0.15	.XX' ± 1.0'	1:1	1/1	
.XXX ± 0.08	.XXX' ± 0.5'	UNIT	MM	Part No.: 10-41
				SCREW, 1000pcs/bag
DRW NO:				REV: A