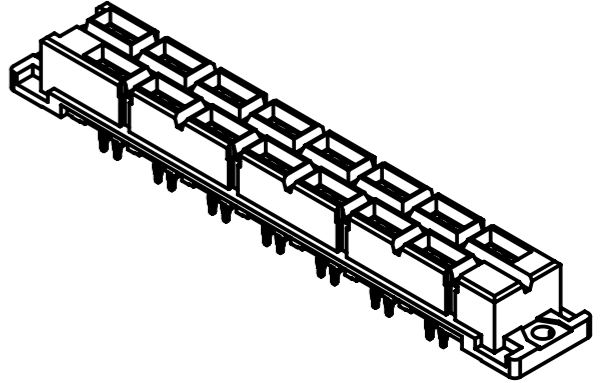
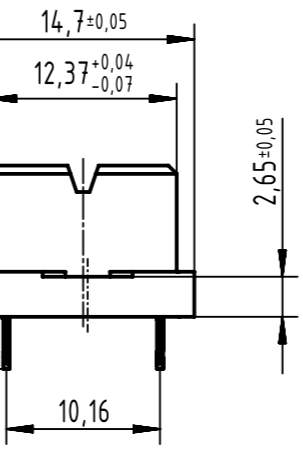


A
board drillings

A
contact arrangement

15 press-in contacts
 =position with contact
 =position without contact

B (2:1)



NFF F1/12
 contact area plating Ag

recommended configuration of plated through holes
 and further information see: DS 09062120101

 All Dimensions in mm Original Size DIN A3	Scale	Free size tol.	Ref.		
	1:1	complementary IEC 60603-2	Sub. TB 09062152856222 / 50000066924 / 2013-11-05		
 All rights reserved Department EC PD - DE	Created by	Inspected by	Standardisation	Date	State
	LEHNERT	TADJE	HOFFMANN	2014-12-03	Final Release
HARTING Electronics GmbH D-32339 Espelkamp	Title				Doc-Key / ECM-Nr. 10025354/UGD/003/B 50000082520
	DIN Power type H15 low-profile press-in 2.54 NFF				
Type		Number		Rev.	Page
TB		09062152856222		B	1/1