

MATERIALS AND FINISHES:

SMA JACK RP BULKHEAD  
IP68 CONNECTOR:

BODY, CRIMP TUBE, JAM NUT: BRASS  
PLATED GOLD

CENTER CONTACT: BRASS  
PLATED GOLD

INSULATOR: PTFE

LOCK WASHER: PHOSPHOR BRONZE  
PLATED GOLD

GASKET: SILICONE RUBBER

MHF® I LK CONNECTOR:

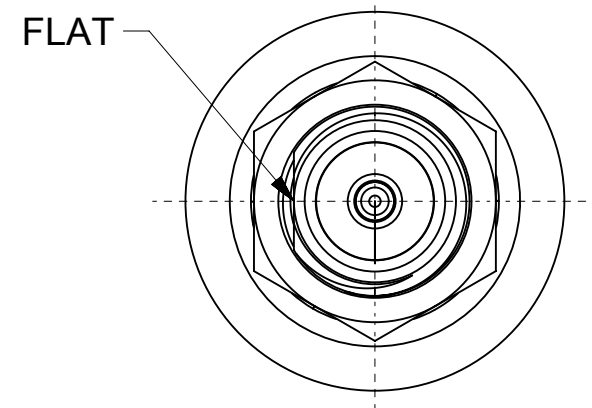
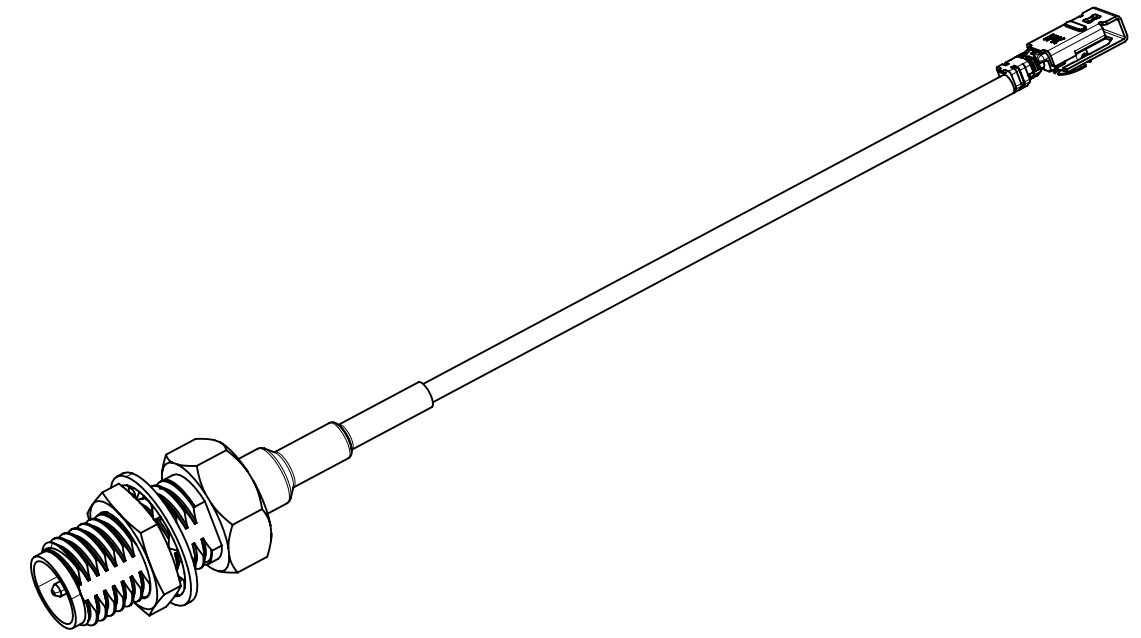
CABLE: 1.13MM CABLE

HEAT SHRINK TUBE: PE

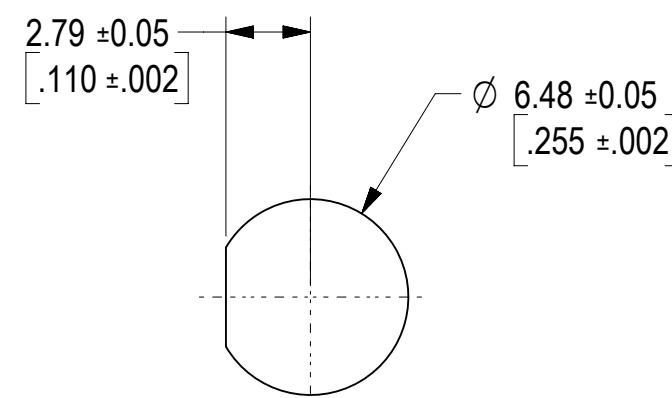
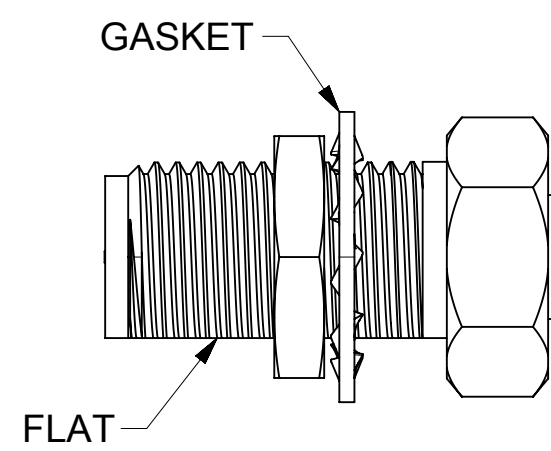
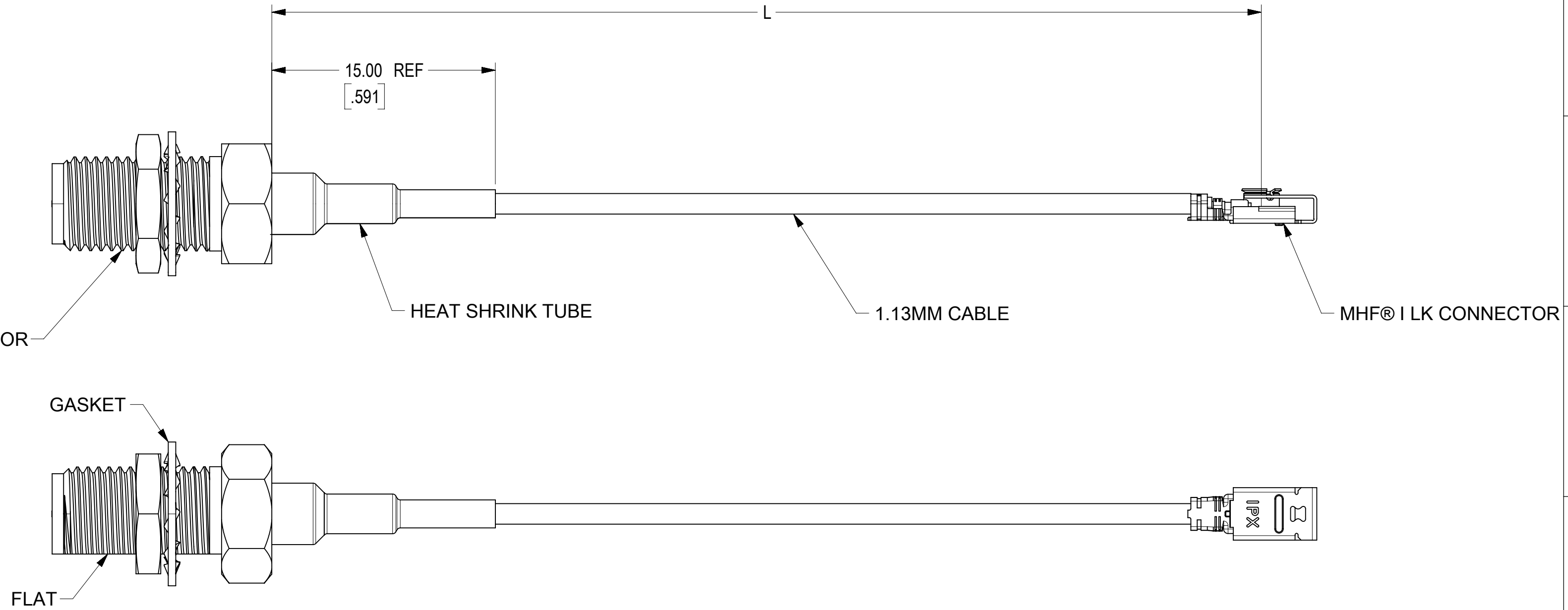
PERFORMANCE REQUIREMENTS

FREQUENCY RANGE: 0-6GHz  
IMPEDANCE: 50 Ω  
WITHSTAND VOLTAGE(AC): 350V @0.5mA  
CONTINUITY: 100% TEST  
PANEL LEAKAGE: IP68

PACKAGING BY PLASTIC BAG



SMA JACK RP BULKHEAD IP68 CONNECTOR  
73251-5041



RECOMMENDED MOUNTING HOLE

73230-6255	50.80±3.00	2.00±.118
73230-6254	101.60±6.00	4.00±.236
73230-6253	152.40±6.00	6.00±.236
73230-6252	203.20±6.00	8.00±.236
73230-6251	254.00±6.00	10.00±.236
73230-6250	305.00±6.00	12.00±.236
MOLEX PART NO.	MM	IN
	L	

FUNCTIONAL SYMBOLS	THIS DRAWING CONTAINS INFORMATION THAT IS PROPRIETARY TO MOLEX ELECTRONIC TECHNOLOGIES, LLC AND SHOULD NOT BE USED WITHOUT WRITTEN PERMISSION		
DIMENSION UNITS	SCALE	CURRENT REV DESC: ADD NEW LENGTHS	
MM/INCH	4:1	<p><b>molex</b></p> <p>CA,SMA JACK RP BULKHEAD IP68 TO MHF® ? LK WITH DIA 1.13MM CABLE,50 OHMS,EWR#: 15301-A</p>	
GENERAL TOLERANCES (UNLESS SPECIFIED)			
ANGULAR TOL ± °			
4 PLACES ±	EC NO: 745951	DRWN: MYLU07	2023/02/20
3 PLACES ±	CHK'D: YHUANG11	APPR: LCHEN03	2023/04/28
2 PLACES ±	INITIAL REVISION:	DRWN: MYLU07	2022/07/25
1 PLACE ±	APPR: LCHEN03	DRWN: MYLU07	2022/09/22
0 PLACES ±	DRAFT WHERE APPLICABLE MUST REMAIN WITHIN DIMENSIONS	THIRD ANGLE PROJECTION	DRAWING SERIES
		C-SIZE	73230
DOCUMENT NUMBER		CUSTOMER	SHEET NUMBER
732306250		GENERAL MARKET	1 OF 1