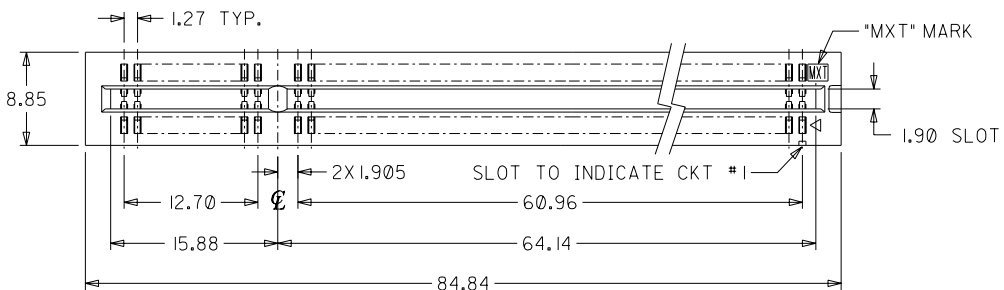
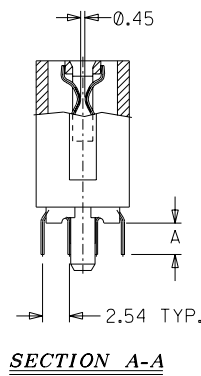
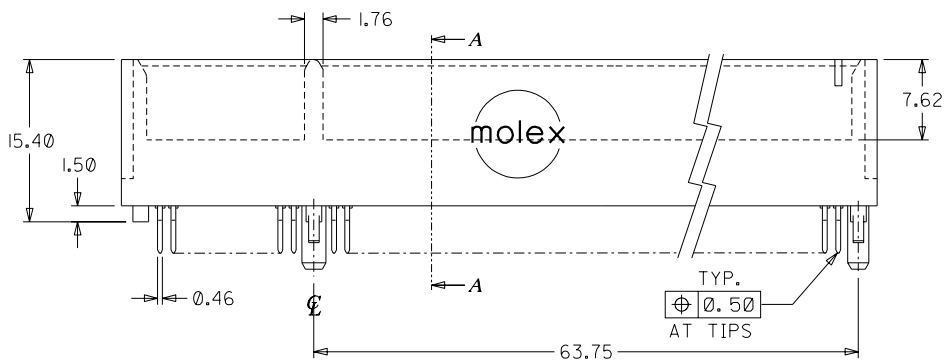


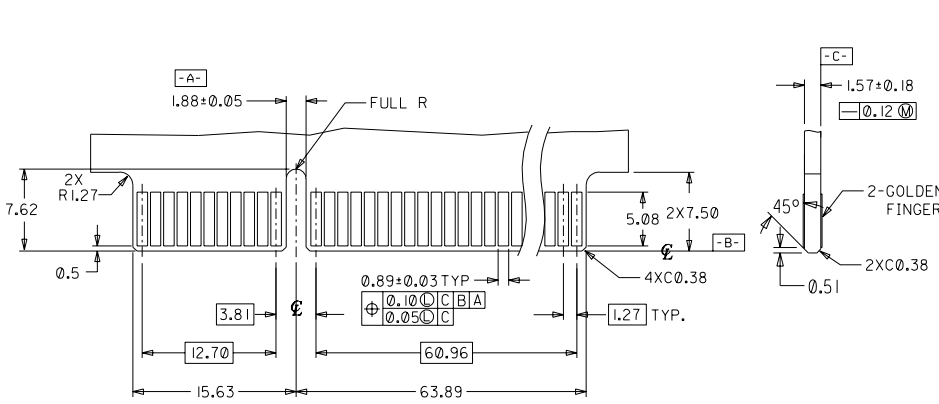
WITH TWO END CUTS



WITH ONE END CUT



SECTION A-A



RECOMMENDED MATING P.C.B EDGE CONFIGURATION

- MATERIAL :**
- HOUSING - NYLON 6-6,COLOR : WHITE
 - TERMINAL - PHOSPHOR BRONZE.
 - FINISH 0 - GOLD FLASH IN CONTACT AREA, 1.52um/60uin MIN. TIN IN SOLDER TAIL, BOTH OVER 0.76um/30uin MIN. NICKEL OVERALL.
 - 1 - 0.25um/10uin MIN. GOLD IN CONTACT AREA, 1.52um/60uin MIN. TIN IN SOLDER TAIL, BOTH OVER 0.76um/30uin MIN. NICKEL OVERALL.
 - 2 - 0.38um/15uin MIN. GOLD IN CONTACT AREA, 1.52um/60uin MIN. TIN IN SOLDER TAIL, BOTH OVER 0.76um/30uin MIN. NICKEL OVERALL.
 - 3 - 0.76um/30uin MIN. GOLD IN CONTACT AREA, 1.52um/60uin MIN. TIN IN SOLDER TAIL, BOTH OVER 0.76um/30uin MIN. NICKEL OVERALL.
 - 4 - 0.50um/20uin MIN. GOLD IN CONTACT AREA, 1.52um/60uin MIN. TIN IN SOLDER TAIL, BOTH OVER 0.76um/30uin MIN. NICKEL OVERALL.
 - 5 - GOLD FLASH OVER 1.02um/40uin MIN. Pd-NI IN CONTACT AREA, 2.54um/100uin MIN. TIN IN SOLDER TAIL, BOTH OVER 1.27 um/50uin MIN. NICKEL OVERALL.
 - 6 - GOLD FLASH OVER 0.51um/20uin MIN. Pd-NI IN CONTACT AREA, 2.54um/100uin MIN. TIN IN SOLDER TAIL, BOTH OVER 1.27 um/50uin MIN. NICKEL OVERALL.

• PRODUCT SPEC. PS 67009 APPLIES

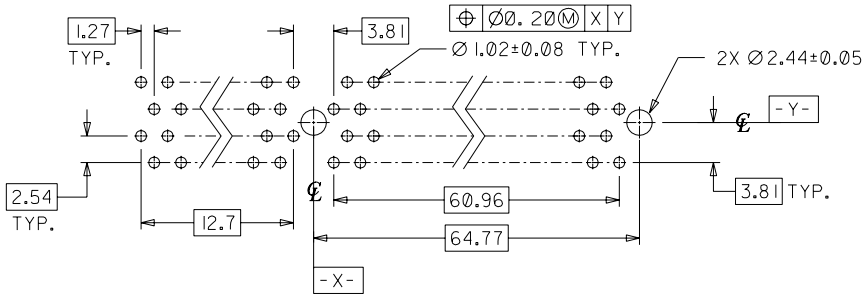
PART NO. LEGEND : 67009 - * * * *

TERMINAL MATERIAL	6 : PHOSPHOR BRONZE	7 : BRASS
TAIL LENGTH	0 : A= 3.00mm	2 : A= 2.54mm
PEG VERSION & COLOR	0 : STANDARD ; BROWN ,WITH ONE END CUT	1 : STANDARD ; WHITE ,WITH ONE END CUT
PLATING VERSION	2 : STANDARD ; BROWN ,WITH TWO END CUTS	3 : STANDARD ; WHITE ,WITH TWO END CUTS
	4	5
	6	

REF. TO ABOVE

REF. TO ABOVE

- D ADD A NEW OPTION 7 102-095 V. Lin 020712
- C REL. TO MANUFACTURING 197-304 SANDRA 970312
- B PER ECN T97-255 SANDRA 970204
- AI PER ECN T97-150 SANDRA 961120



RECOMMENDED CONNECTOR MOUNTING HOLE PATTERN