

## har-modular T-module female straight



Image is for illustration purposes only. Please refer to product description.

Part number	02 52 900 0003
Specification	har-modular T-module female straight
HARTING eCatalogue	<a href="https://b2b.harting.com/02529000003">https://b2b.harting.com/02529000003</a>

### Identification

Category	Connectors
Series	har-modular®
Identification	T module T spacer
Element	Female connector
Description of the contact	Straight

### Version

Width of the module	10.16 mm
Connection type	Motherboard to daughtercard Mezzanine

### Technical characteristics

Insulation resistance	$>10^{11} \Omega$
Limiting temperature	-55 ... +125 °C
Mating cycles	$\geq 500$
Isolation group	I ( $600 \leq CTI$ )
Hot plugging	No
Moisture Sensitivity Level (MSL)	1 acc. to ECA/IPC/JEDEC J-STD-020D

### Material properties

Material (insert)	Polyamide (PA)
Colour (insert)	Black

## Material properties

Material flammability class acc. to UL 94	V-0
---	-----

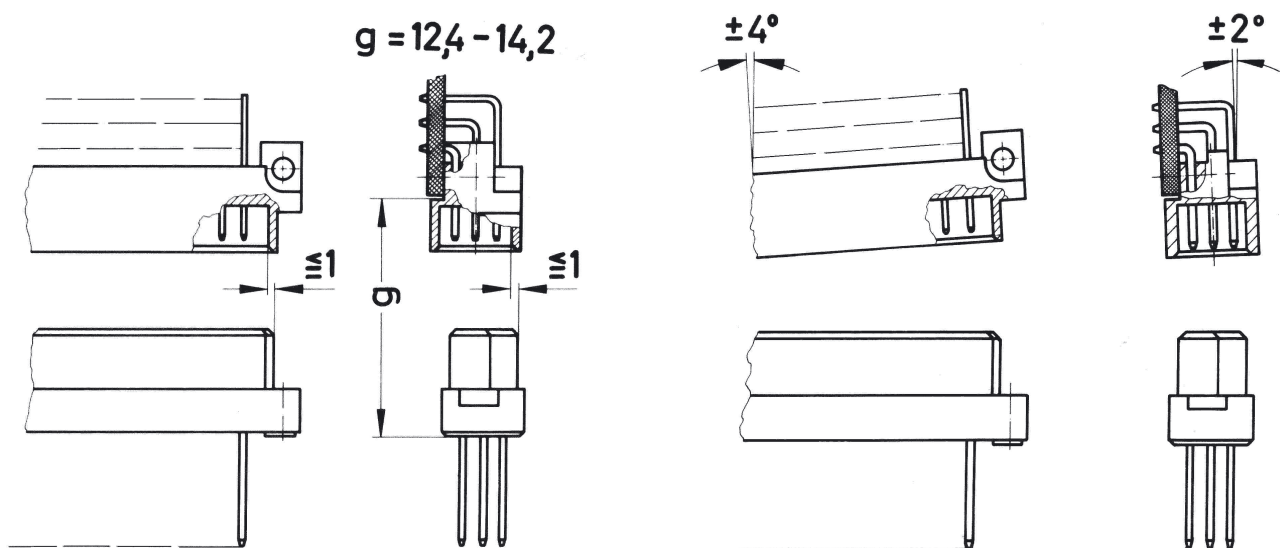
## Specifications and approvals

Railway classification	F1/I2 acc. to NFF 16-101/102
------------------------	------------------------------

## Commercial data

Packaging size	20
Net weight	1.28 g
Country of origin	Romania
European customs tariff number	85389099
eCl@ss	27460201 PCB connector (board connector)

## Mating conditions



To ensure reliable connections and prevent unnecessary damage, please refer to the application data diagrams. These recommendations are set out in IEC 60603-2. The connectors should not be coupled and decoupled under electrical load.