



## High Sensitivity Long Distance Proximity and Ambient Light Sensor With I<sup>2</sup>C Interface

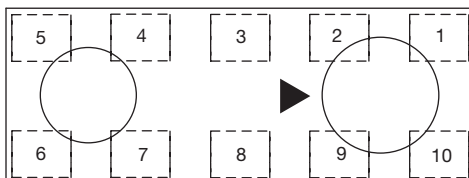


### DESCRIPTION

VCNL4100 integrates a high sensitivity long distance proximity sensor (PS), ambient light sensor (ALS), and 940 nm IRED into one small package. It incorporates photodiodes, amplifiers, and analog to digital converting circuits into a single chip using a CMOS process. The 16-bit high resolution ALS offers excellent sensing capabilities with sufficient selections to fulfill most applications whether a dark or high transparency lens design. VCNL4100 offers individual programmable high and low threshold interrupt features for the best utilization of resources and power saving on the microcontroller. For the 8-bit proximity sensing function, VCNL4100 has a built-in intelligent cancellation scheme that eliminates background light issues. The persistence feature prevents false judgment of proximity sensing due to ambient light noise.

The adoption of the patented Filtron™ technology achieves the closest ambient light spectral sensitivity to real human eye responses. VCNL4100 provides excellent temperature compensation capability for keeping the output stable under changing temperature. ALS and PS functions are easily operated via the simple command format of I<sup>2</sup>C (SMBus compatible) interface protocol. Operating voltage ranges from 2.5 V to 3.6 V.

### PIN DEFINITION



Top View

1	GND	6	LED+
2	LED_Cathode	7	NC
3	V <sub>DD</sub>	8	INT
4	NC	9	SDAT
5	LED-	10	SCLK

### FEATURES

- Package type: surface-mount
- Dimensions (L x W x H in mm): 8.0 x 3.0 x 1.8
- Integrated modules: infrared emitter (IRED), ambient light sensor (ALS), proximity sensor (PS), and signal conditioning IC
- Operates ALS and PS in parallel structure
- Filtron™ technology adoption for robust background light cancellation
- Supports low transmittance (dark) lens design
- Temperature compensation: -40 °C to +85 °C
- Low power consumption I<sup>2</sup>C (SMBus compatible) interface
- Floor life: 168 h, MSL 3, according to J-STD-020
- Output type: I<sup>2</sup>C bus (ALS / PS)
- Operation voltage: 2.5 V to 3.6 V
- Material categorization: for definitions of compliance please see [www.vishay.com/doc?99912](http://www.vishay.com/doc?99912)



### PROXIMITY FUNCTION

- Immunity to red glow (940 nm IRED)
- Intelligent background light cancellation
- Smart persistence scheme to reduce PS response time
- Proximity distance up to 1 m

### AMBIENT LIGHT FUNCTION

- Fluorescent light flicker immunity
- Spectrum close to real human eye responses
- Selectable maximum detection range (655 / 1311 / 2621 / 5243) lux with highest sensitivity 0.01 lux/step

### INTERRUPT

- Programmable interrupt function for ALS and PS with upper and lower thresholds
- Adjustable persistence to prevent false triggers for ALS and PS

### APPLICATIONS

- Presence detection to activate displays in printers, copiers, and home appliances
- Collision detection in robots and toys
- Proximity sensing and lighting control in offices, corridors and public buildings
- Vehicle occupancy detection in parking lots
- Proximity detection in lavatory appliances

**PRODUCT SUMMARY**

PART NUMBER	OPERATING RANGE (mm)	OPERATING VOLTAGE RANGE (V)	I <sup>2</sup> C BUS VOLTAGE RANGE (V)	IRE D PULSE CURRENT (mA)	AMBIENT LIGHT RANGE (lx)	AMBIENT LIGHT RESOLUTION (lx)	OUTPUT CODE	ADC RESOLUTION PROXIMITY / AMBIENT LIGHT
VCNL4100	0 to 1000	2.5 to 3.6	1.8 to 3.6	800 <sup>(1)</sup>	0.01 to 5243	0.01	16 bit, I <sup>2</sup> C	8 bit / 16 bit

**Note**

<sup>(1)</sup> Maximum allowed current for VCNL4100 internal IRED

**ORDERING INFORMATION**

ORDERING CODE	PACKAGING	VOLUME <sup>(1)</sup>	PIN NUMBER	REMARKS
VCNL4100	Tape and reel	MOQ: 2500 pcs	10	8.0 mm x 3.0 mm x 1.8 mm

**Note**

<sup>(1)</sup> MOQ: minimum order quantity

**ABSOLUTE MAXIMUM RATINGS** ( $T_{amb} = 25\text{ }^{\circ}\text{C}$ , unless otherwise specified)

PARAMETER	TEST CONDITION	SYMBOL	MIN.	MAX.	UNIT
Supply voltage		$V_{DD}$	-	5.0	V
Operation temperature range		$T_{amb}$	-40	+85	$^{\circ}\text{C}$
Storage temperature range		$T_{stg}$	-40	+100	$^{\circ}\text{C}$

**RECOMMENDED OPERATING CONDITIONS** ( $T_{amb} = 25\text{ }^{\circ}\text{C}$ , unless otherwise specified)

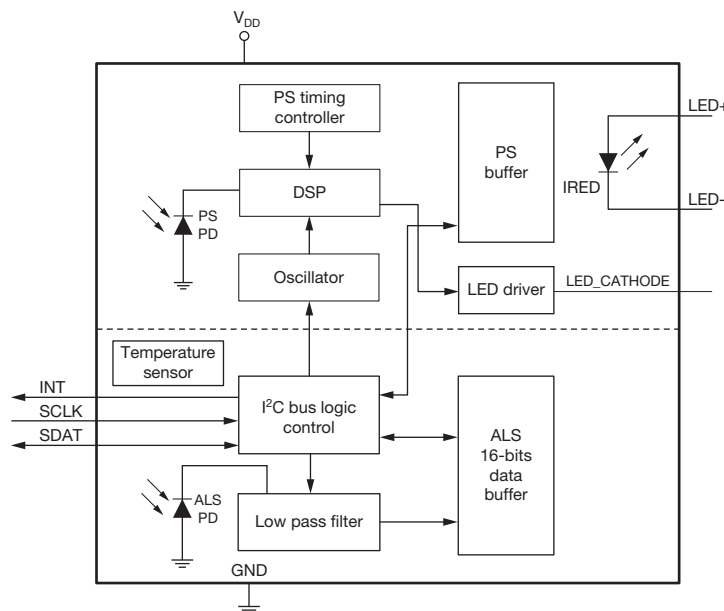
PARAMETER	TEST CONDITION	SYMBOL	MIN.	MAX.	UNIT
Supply voltage		$V_{DD}$	2.5	3.6	V
Operation temperature range		$T_{amb}$	-40	+85	$^{\circ}\text{C}$
I <sup>2</sup> C bus operating frequency		$f_{(I2CCLK)}$	10	400	kHz

**PIN DESCRIPTIONS**

PIN ASSIGNMENT	SYMBOL	TYPE	FUNCTION
1	GND	I	Ground
2	LED_CATHODE	I	IRED cathode connection
3	$V_{DD}$	I	Power supply input
4	NC	-	No connection
5	LED-	O	IRED cathode
6	LED+	I	IRED anode
7	NC	-	No connection
8	INT	O	Interrupt pin
9	SDAT	I / O (open drain)	I <sup>2</sup> C data bus data input / output
10	SCLK	I	I <sup>2</sup> C digital bus clock input



**BLOCK DIAGRAM**



BASIC CHARACTERISTICS ( $T_{amb} = 25\text{ }^{\circ}\text{C}$ , unless otherwise specified)							
PARAMETER	TEST CONDITION	SYMBOL	MIN.	TYP.	MAX.	UNIT	
Supply voltage		$V_{DD}$	2.5	-	3.6	V	
Supply voltage for IRED		$V_{IRED}$	3.8	-	5.0	V	
Supply current	Excluded LED driving	$I_{DD}$	-	195	-	$\mu\text{A}$	
Shutdown current	Light condition = dark, $V_{DD} = 3.3\text{ V}$	$I_{DD}(\text{SD})$	-	0.2	-	$\mu\text{A}$	
ALS shut down	ALS disable, PS enable	$I_{ALSSD}$	-	180	-	$\mu\text{A}$	
PS shut down	ALS enable, PS disable	$I_{PSSD}$	-	175	-	$\mu\text{A}$	
I <sup>2</sup> C signal input	Logic high	$V_{DD} = 3.3\text{ V}$	$V_{IH}$	1.5	-	-	V
	Logic low		$V_{IL}$	-	-	0.8	
	Logic high	$V_{DD} = 2.6\text{ V}$	$V_{IH}$	1.4	-	-	V
	Logic low		$V_{IL}$	-	-	0.6	
Peak sensitivity wavelength of ALS		$\lambda_p$	-	550	-	nm	
Peak sensitivity wavelength of PS		$\lambda_{pps}$	-	940	-	nm	
Full ALS counts	16-bit resolution		-	-	65 535	steps	
Full PS counts	8-bit resolution		-	-	255	steps	
Detectable intensity	Minimum	$IT = 640\text{ ms}$ , $V_{DD} = 3.3\text{ V}$ , 1 step <sup>(1)(2)</sup>		0.01	-	lx	
	Maximum	$IT = 80\text{ ms}$ , $V_{DD} = 3.3\text{ V}$ , 65 535 steps <sup>(1)(2)</sup>		5243	-		
ALS dark offset	$IT = 80\text{ ms}$ , $V_{DD} = 3.3\text{ V}$ , normal sensitivity <sup>(1)</sup>		0	-	3	steps	
Operating temperature range		$T_{amb}$	-40	-	+85	$^{\circ}\text{C}$	
IRED driving current	(3)		-	-	800	mA	

**Notes**

- (1) Light source: white LED
- (2) Maximum detection range to ambient light can be determined by ALS refresh time adjustment. Refer to table 17 "ALS Resolution and Maximum Detection Range"
- (3) Based on IRED on / off duty ratio = 1/5120, 1/640, 1/80, and 1/20. The circuitry should use an external MOSFET as shown with fig.10. Please see also the Application Note "Designing the VCNL4100 into an Application" ([www.vishay.com/doc?84361](http://www.vishay.com/doc?84361)).



I <sup>2</sup> C BUS TIMING CHARACTERISTICS (T <sub>amb</sub> = 25 °C, unless otherwise specified)						
PARAMETER	SYMBOL	STANDARD MODE		FAST MODE		UNIT
		MIN.	MAX.	MIN.	MAX.	
Clock frequency	f <sub>(SMBCLK)</sub>	10	100	10	400	kHz
Bus free time between start and stop condition	t <sub>(BUF)</sub>	4.7	-	1.3	-	µs
Hold time after (repeated) start condition; after this period, the first clock is generated	t <sub>(HDSTA)</sub>	4.0	-	0.6	-	µs
Repeated start condition setup time	t <sub>(SUSTA)</sub>	4.7	-	0.6	-	µs
Stop condition setup time	t <sub>(SUSTO)</sub>	4.0	-	0.6	-	µs
Data hold time	t <sub>(HDDAT)</sub>		3450	-	900	ns
Data setup time	t <sub>(SUDAT)</sub>	250	-	100	-	ns
I <sup>2</sup> C clock (SCK) low period	t <sub>(LOW)</sub>	4.7	-	1.3	-	µs
I <sup>2</sup> C clock (SCK) high period	t <sub>(HIGH)</sub>	4.0	-	0.6	-	µs
Detect clock / data low timeout	t <sub>(TIMEOUT)</sub>	25	35	-	-	ms
Clock / data fall time	t <sub>(F)</sub>	-	300	-	300	ns
Clock / data rise time	t <sub>(R)</sub>	-	1000	-	300	ns

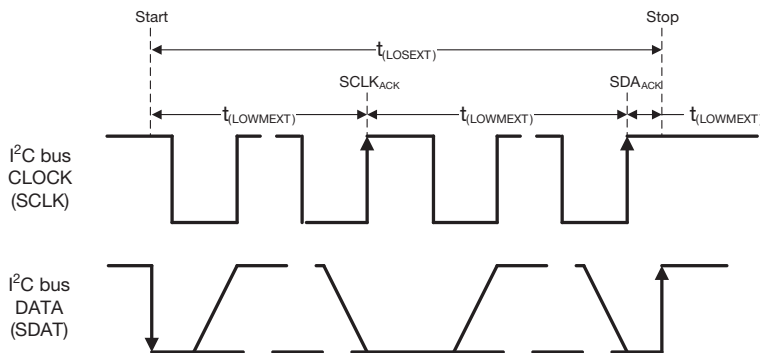
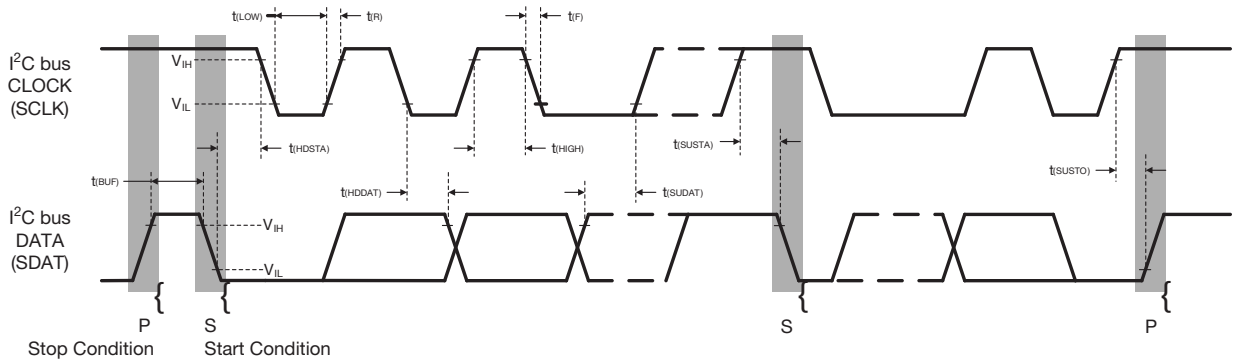


Fig. 1 - I<sup>2</sup>C Bus Timing Diagram



PARAMETER TIMING INFORMATION

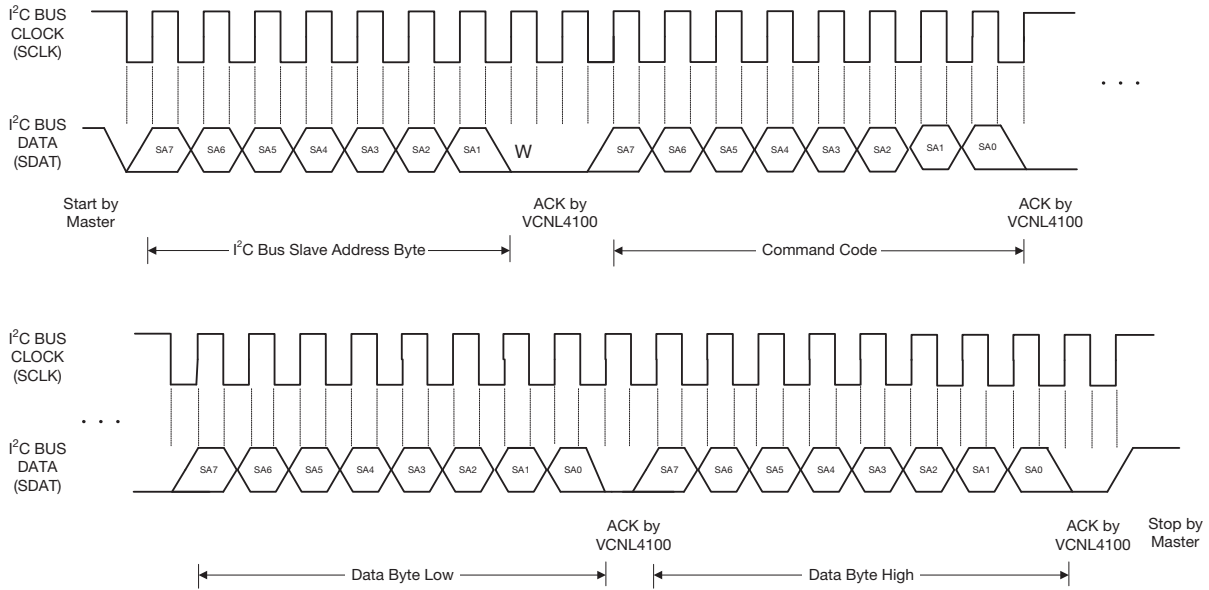


Fig. 2 - I<sup>2</sup>C Bus Timing for Sending Word Command Format

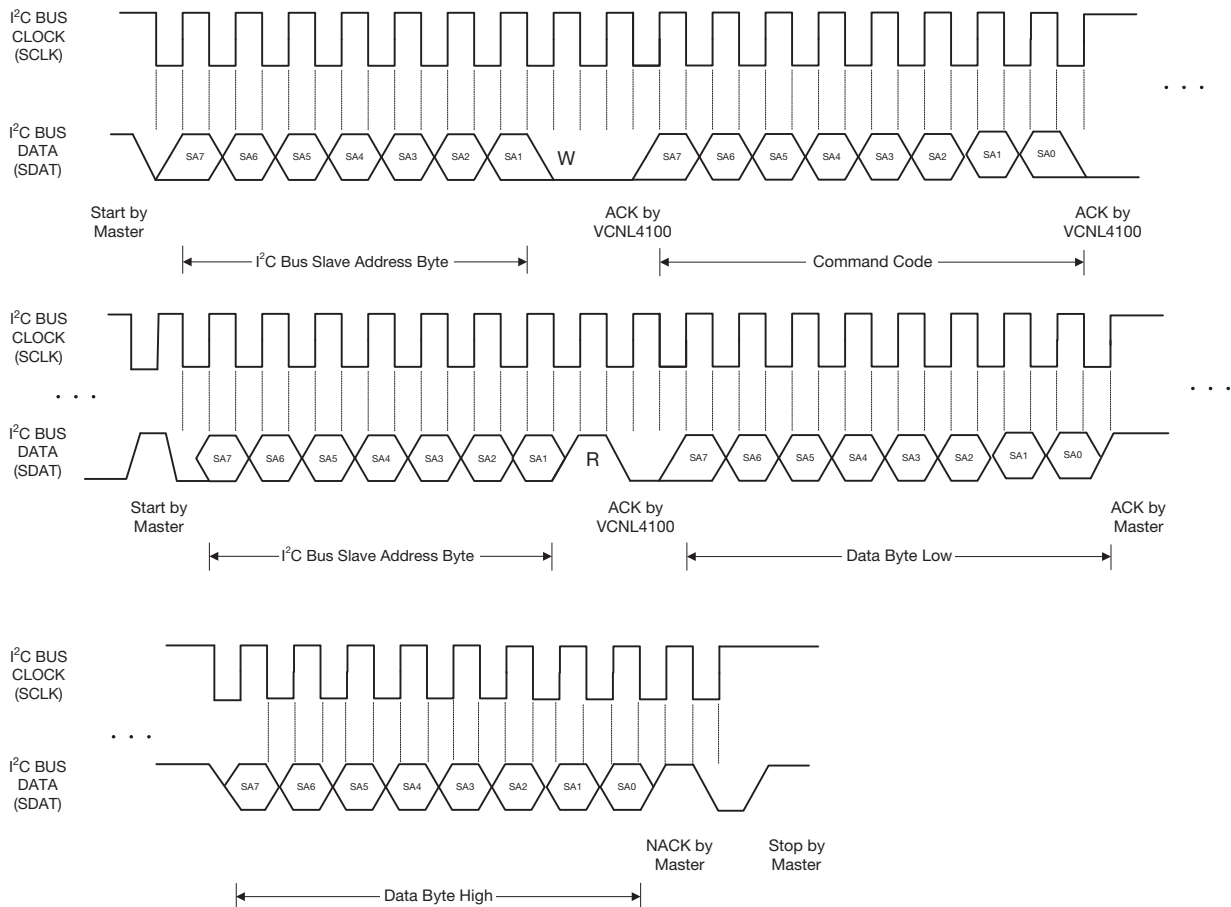


Fig. 3 - I<sup>2</sup>C Bus Timing for Receiving Word Command Format



**TYPICAL PERFORMANCE CHARACTERISTICS** ( $T_{amb} = 25\text{ }^{\circ}\text{C}$ , unless otherwise specified)

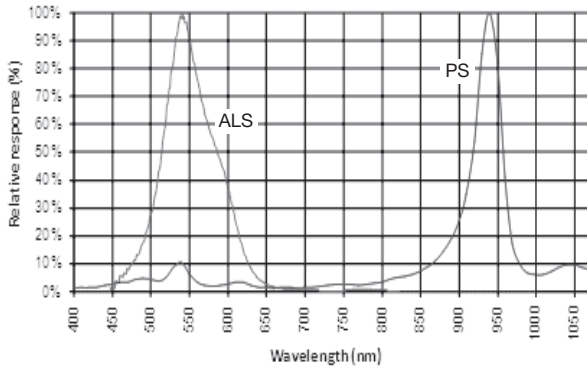


Fig. 4 - Normalized Spectral Response

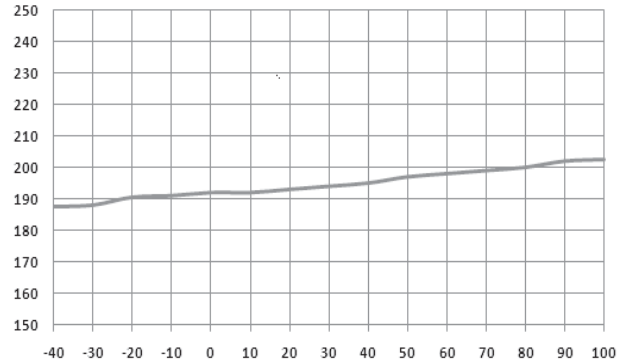


Fig. 7 -  $I_{DD}$  vs. Temperature

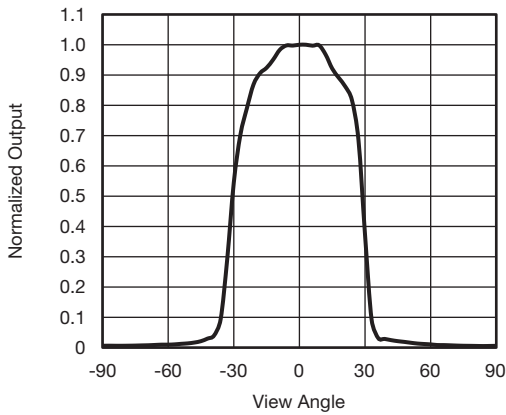


Fig. 5 - ALS Normalized Output vs. View Angle

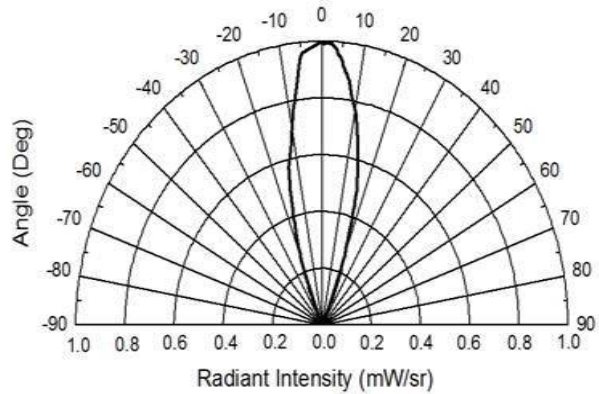


Fig. 8 - Relative Radiant Intensity vs. Angular Displacement

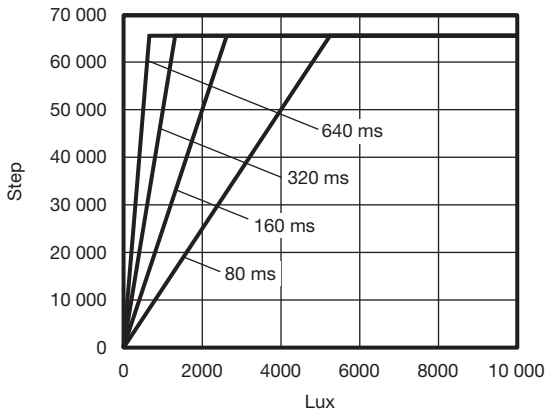


Fig. 6 - ALS Refresh Time vs. Maximum Detection Range

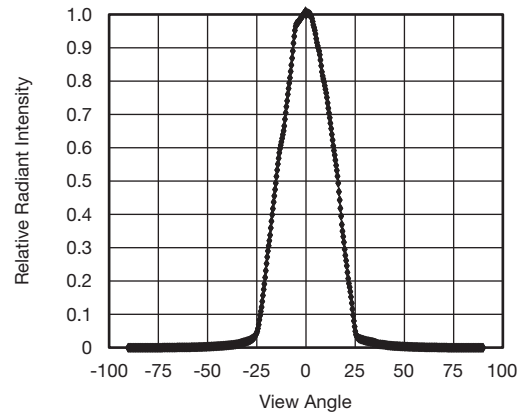


Fig. 9 - Relative Radiant Intensity vs. Angular Displacement



**APPLICATION INFORMATION**

**Pin Connection with the Host**

VCNL4100 is a cost effective solution of a long distance proximity sensor with I<sup>2</sup>C interface. The standard serial digital interface easily accesses “light intensity” by using simple calculations.

Application circuitry below shows the added MOSFET which is driven by the ASIC’s pin 2. A 22 kΩ pull-up resistor needs to be added here. The R<sub>LED</sub> defines the current through the IRED. A small 0.1 μF is sufficient at V<sub>DD</sub> for power supply noise rejection, but a 2.2 μF should be placed at V<sub>IRED</sub> to provide the energy for the IRED.

For the I<sup>2</sup>C bus design, the pull-up voltage refers to the I/O specification of the baseband due to its “open drain” design. The pull-high resistors for the I<sup>2</sup>C bus lines are recommended to be ≥ 2.2 kΩ.

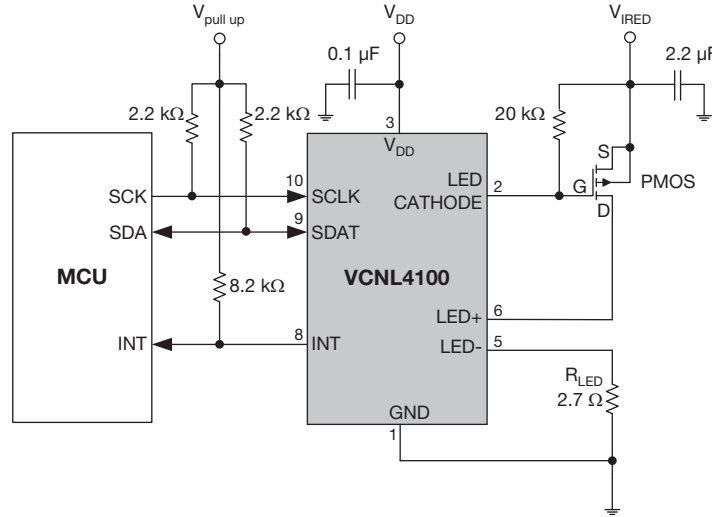


Fig. 10 - Application Diagram

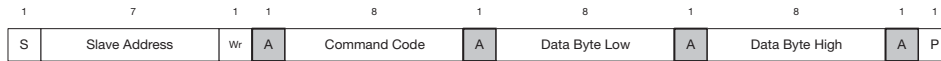
**Notes**

- V<sub>DD</sub> range: 2.5 V to 3.6 V and V<sub>IRED</sub> is recommended 5.0 V
- Power path of V<sub>DD</sub> and V<sub>IRED</sub> should be routed separately up to stable power source.
- The R<sub>LED</sub> resistor value should be evaluated within ready-made application and the current through VCNL4100-internal IRED should not exceed 800 mA.

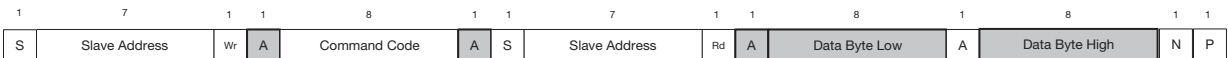
**Digital Interface**

VCNL4100 applies single 7-bit slave address 0x60 (HEX) following I<sup>2</sup>C protocol. All operations can be controlled by the command register. The simple command structure helps users easily program the operation setting and latch the light data from VCNL4100. As fig. 11 shows, VCNL4100’s I<sup>2</sup>C command format is simple for read and write operations between VCNL4100 and the host. The white sections indicate host activity and the gray sections indicate VCNL4100’s acknowledgement of the host access activity. Write word and read word protocols are suitable for accessing registers particularly for 16-bit ALS data and 8-bit PS data. Interrupt can be cleared by reading data out from register: INT\_Flag.

Send Byte → Write Command to VCNL4100



Receive Byte → Read Data from VCNL4100



S = start condition  
 P = stop condition  
 A = acknowledge  
 Shaded area = VCNL4100 acknowledge

Fig. 11 - Command Protocol Format



## Function Description

VCNL4100 applies a 16-bit high resolution ALS that provides the best ambient light sensing capability up to 0.011375 lx/step which works well under a low transmittance lens design (dark lens). A flexible interrupt function of ALS (register: ALS\_CONF) is also supported. The INT signal will not be asserted by VCNL4100 if the ALS value is not over high INT threshold window level, or lower than low INT threshold window level of ALS. As long as the ALS INT is asserted, the host can read the data from VCNL4100.

For proximity sensor function, VCNL4100 supports different kinds of mechanical design to achieve the best proximity detection performance for any color object. The basic PS function settings, such as duty ratio, integration time, interrupt, and PS enable / disable and persistence, are handled by the register: PS\_CONF1. Duty ratio controls the PS response time. Integration time represents the duration of the energy being received. The interrupt is asserted when the PS detection levels over the high threshold level setting (register: PS\_THDH) or lower than low threshold (register: PS\_THDL). If the interrupt function is enabled, the host reads the PS output data from VCNL4100 that saves host loading from periodically reading PS data. More than that, INT flag (register: INT\_Flag) indicates the behavior of INT triggered under different conditions. PS persistence (PS\_PERS) sets up the PS INT asserted conditions as long as the PS output value continually exceeds the threshold level.

Descriptions of each slave address operation are shown in table 1.

TABLE 1 - COMMAND CODE AND REGISTER DESCRIPTION				
COMMAND CODE	REGISTER NAME	R / W	DEFAULT VALUE	FUNCTION DESCRIPTION
00H_L	ALS_CONF	R / W	00H	ALS integration time, persistence, interrupt, and function enable / disable
00H_H	Reserved	R / W	00H	Reserved
01H_L	ALS_THDH_L	R / W	00H	ALS high interrupt threshold LSB byte
01H_H	ALS_THDH_M	R / W	00H	ALS high interrupt threshold MSB byte
02H_L	ALS_THDL_L	R / W	00H	ALS low interrupt threshold LSB byte
02H_H	ALS_THDL_M	R / W	00H	ALS low interrupt threshold MSB byte
03H_L	PS_CONF1	R / W	00H	PS duty ratio, integration time, persistence, and PS enable / disable
03H_H	PS_CONF2	R / W	00H	PS gain, ITB, interrupt setting
04H_L	PS_CONF3	R / W	00H	PS active forced, averaging, background light cancellation setting
04H_H	PS_SPO	R / W	00H	Set initial value to "0xA0" or "0x20"
05H_L	Reserved	R / W	00H	Reserved
05H_H	Reserved	R / W	00H	Reserved
06H_L	PS_THDL	R / W	00H	PS low interrupt threshold setting
06H_H	PS_THDH	R / W	00H	PS high interrupt threshold setting
07H_L	Reserved	R / W	00H	Reserved
07H_H	Reserved	R / W	00H	Reserved
08H_L	PS_Data	R	00H	PS output data
08H_H	Reserved	R	00H	Reserved
09H_L	ALS_Data_L	R	00H	ALS LSB output data
09H_H	ALS_Data_M	R	00H	ALS MSB output data
0AH_L	Reserved	R	00H	Reserved
0AH_H	Reserved	R	00H	Reserved
0BH_L	Reserved	R	00H	Reserved
0BH_H	INT_Flag	R	00H	ALS, PS interrupt flags





### Command Register Format

VCNL4100 provides an 8-bit command register for ALS and PS controlling independently. The description of each command format is shown in following tables.

<b>TABLE 2 - REGISTER: ALS_CONF DESCRIPTION</b>									
REGISTER NAME		COMMAND CODE: 0xH_L (0xH DATA BYTE LOW) OR 0xH_H (0xH DATA BYTE HIGH)							
Command	Bit	7	6	5	4	3	2	1	0
<b>ALS_CONF</b>		<b>COMMAND CODE: 00H_L (00H DATA BYTE LOW)</b>							
Command	Bit	Description							
ALS_IT	7 : 6	(0 : 0) = 80 ms; (0 : 1) = 160 ms; (1 : 0) = 320 ms; (1 : 1) = 640 ms ALS integration time setting, longer integration time has higher sensitivity							
Reserved	5 : 4	Default = (0 : 0), reserved							
ALS_PERS	3 : 2	(0 : 0) = 1, (0 : 1) = 2, (1 : 0) = 4, (1 : 1) = 8 ALS interrupt persistence setting							
ALS_INT_EN	1	0 = ALS interrupt disable, 1 = ALS interrupt enable							
ALS_SD	0	0 = ALS power on, 1 = ALS shut down							

<b>TABLE 3 - REGISTER: RESERVE COMMAND DESCRIPTION</b>		
Reserved		COMMAND CODE: 00H_H (00H DATA BYTE HIGH)
Command	Bit	Description
Reserved	7 : 0	Default = 00H

<b>TABLE 4 - REGISTER ALS_THDH_L AND ALS_THDH_M DESCRIPTION</b>		
ALS_THDH_L ALS_THDH_M		COMMAND CODE: 01H_L (01H DATA BYTE LOW) COMMAND CODE: 01H_H (01H DATA BYTE HIGH)
Register	Bit	Description
ALS_THDH_L	7 : 0	00H to FFH, ALS high interrupt threshold LSB byte
ALS_THDH_M	7 : 0	00H to FFH, ALS high interrupt threshold MSB byte

<b>TABLE 5 - REGISTER: ALS_THDL_L AND ALS_THDL_M DESCRIPTION</b>		
ALS_THDL_L ALS_THDL_M		COMMAND CODE: 02H_L (02H DATA BYTE LOW) COMMAND CODE: 02H_H (02H DATA BYTE HIGH)
Register	Bit	Description
ALS_THDL_L	7 : 0	00H to FFH, ALS low interrupt threshold LSB byte
ALS_THDL_M	7 : 0	00H to FFH, ALS low interrupt threshold MSB byte

<b>TABLE 6 - REGISTER: PS_CONF1 DESCRIPTION</b>		
PS_CONF1		COMMAND CODE: 03H_L (03H DATA BYTE LOW)
Command	Bit	Description
PS_Duty	7 : 6	(0 : 0) = 1/5120, (0 : 1) = 1/640, (1 : 0) = 1/80, (1 : 1) = 1/20 PS IRED on / off duty ratio setting
PS_IT	5 : 4	(0 : 0) = 1T, (0 : 1) = 1.3T, (1 : 0) = 1.6T, (1 : 1) = 2T PS integration time setting
PS_PERS	3 : 2	(0 : 0) = 1, (0 : 1) = 2, (1 : 0) = 3, (1 : 1) = 4 PS interrupt persistence setting
Reserved	1	Default = 0, reserved
PS_SD	0	0 = PS power on, 1 = PS shut down

**TABLE 7 - REGISTER: PS\_CONF2 DESCRIPTION**

PS_CONF2		COMMAND CODE: 03H_H (03H DATA BYTE HIGH)
Command	Bit	Description
PS_ITB	7 : 6	(0 : 0) = 1/2T, (0 : 1) = 1T, (1 : 0) = 2T, (1 : 1) = 4T PS IT bank setting
PS_GAIN	5 : 4	(0 : 0) = /4, (0 : 1) = /2, (1 : 0) = 1, (1 : 1) = 2
Reserved	3	Default = 0, reserved
PS_SP_INT_EN	2	0 = disable INT function for PS enter / leave sunlight protection mode 1 = issue INT while PS enter / leave sunlight protection mode. While PS enter sunlight protection mode, the PS output will keep 0xFF
Reserved	1	Default = 0, reserved
PS_INT_EN	0	0 = PS INT function disable 1 = PS INT function enable

**TABLE 8 - REGISTER: PS\_CONF3 DESCRIPTION**

PS_CONF3		COMMAND CODE: 04H_L (04H DATA BYTE LOW)
Command	Bit	Description
PS_AV	7 : 6	(0 : 0) = /2, (0 : 1) = /4, (1 : 0) = /8, (1 : 1) = /16
PS_AV_EN	5	0 = PS average function disable, 1 = PS average function enable
Reserved	4	Default = 0, reserved
PS_AF	3	0 = active force mode disable (normal mode), 1 = active force mode enable
PS_TRIG	2	0 = no PS active force mode trigger, 1 = trigger one time cycle VCNL4100 output one cycle data every time host writes in "1" to sensor. The state returns to "0" automatically.
PS_MPULSE	1	0 = disable, 1 = enable PS multi pulse mode setting; PS multi pulse number set by PS_AV [1 : 0]
Reserved	0	Default = 0, reserved

**TABLE 9 - REGISTER: PS\_MS DESCRIPTION**

Reserved		COMMAND CODE: 04H_H (04H DATA BYTE HIGH)
Command	Bit	Description
PS_SPO	7 : 0	Set initial value = 0xA0 (PS_OUT = 0xFF while PS into sunlight protection) Set initial value = 0x20 (PS_OUT = 0x00 while PS into sunlight protection)

**TABLE 10 - REGISTER RESERVE COMMAND DESCRIPTION**

Reserved		COMMAND CODE: 05H_L (05H DATA BYTE LOW)
Register	Bit	Description
Reserved	7 : 0	Default = 00H

**TABLE 11 - REGISTER: RESERVE COMMAND DESCRIPTION**

Reserved		COMMAND CODE: 05H_H (05H DATA BYTE HIGH)
Register	Bit	Description
Reserved	7 : 0	Default = 00H

**TABLE 12 - REGISTER: PS\_THDL DESCRIPTION**

PS_THDL		COMMAND CODE: 06H_L (06H DATA BYTE LOW)
Register	Bit	Description
PS_THDL	7 : 0	00H to FFH, PS low interrupt threshold setting

**TABLE 13 - REGISTER: PS\_THDH DESCRIPTION**

PS_THDH		COMMAND CODE: 06H_H (06H DATA BYTE HIGH)
Register	Bit	Description
PS_THDH	7 : 0	00H to FFH, PS high interrupt threshold setting

**TABLE 14 - REGISTER: RESERVE COMMAND DESCRIPTION**

Reserved		COMMAND CODE: 07H_L (07H DATA BYTE LOW)
Register	Bit	Description
Reserved	7 : 0	Default = 00H

**TABLE 15 - REGISTER: RESERVE COMMAND DESCRIPTION**

Reserved		COMMAND CODE: 07H_H (07H DATA BYTE HIGH)
Register	Bit	Description
Reserved	7 : 0	Default = 00H

**TABLE 16 - READ OUT REGISTER DESCRIPTION**

REGISTER	COMMAND CODE	BIT	DESCRIPTION
PS_Data	08H_L (08H data byte low)	7 : 0	00H to FFH, PS output data
Reserved	08H_H (08H data byte high)	7 : 0	Default = 00H
ALS_Data_L	09H_L (09H data byte low)	7 : 0	00H to FFH, ALS LSB output data
ALS_Data_M	09H_H (09H data byte high)	7 : 0	00H to FFH, ALS MSB output data
Reserved	0AH_L (0AH data byte low)	7 : 0	
Reserved	0AH_H (0AH data byte high)	7 : 0	
Reserved	0BH_L (0BH data byte low)	7 : 0	Default = 00H
INT_Flag	0BH_H (0BH data byte high)	7 6 5 4 3 2 1 0	PS_SPF_LEAVE, PS leaving protection mode PS_SPF_ENTER, PS entering protection mode ALS_IF_L, ALS crossing low THD INT trigger event ALS_IF_H, ALS crossing high THD INT trigger event Default = 0, reserved Default = 0, reserved PS_IF_CLOSE, PS rise above PS_THDH INT trigger event PS_IF_AWAY, PS drop below PS_THDL INT trigger event

### Adjustable Sampling Time

VCNL4100's embedded LED driver drives the external IRED with the "LED CATHODE" pin by a pulsed duty cycle. The IRED on / off duty ratio can be programmable by I<sup>2</sup>C command at register: PS\_Duty is related to the current consumption and PS response time. The higher the duty ratio selected, the faster response time achieved with higher power consumption.



**Threshold Window Setting**

- ALS Threshold Window Setting (Applying ALS INT)

Register: ALS\_THDH\_L and ALS\_THDH\_M define 16-bit ALS high threshold data for LSB byte and MSB byte. Register: ALS\_THDL\_L and ALS\_THDL\_M define 16-bit ALS low threshold data for LSB byte and MSB byte. As long as ALS INT function is enabled, INT will be asserted once the ALS data exceeds ALS\_THDH or goes below ALS\_THDL. To easily define the threshold range, multiply the value of the resolution (lx/step) by the threshold level (refer table 17).

TABLE 17 - ALS RESOLUTION AND MAXIMUM DETECTION RANGE			
ALS_IT		SENSITIVITY (lx/step)	MAXIMUM DETECTION RANGE (lx)
ALS_IT (7 : 6)	INTEGRATION TIME		
(0, 0)	80 ms	0.08	5243
(0, 1)	160 ms	0.04	2621
(1, 0)	320 ms	0.02	1311
(1, 1)	640 ms	0.01	655

The following is an example of the application for ALS\_IT = 160 ms. If ALS\_THDH = 07D0(HEX) and ALS\_THDL = 03E8(HEX), then the ALS INT will not asserted if the ALS value does not exceed 80 lx [07D0(HEX) = 2000 steps x 0.04 lx/step = 80 lx] or lower than 40 lx [03E8(HEX) = 1000 steps x 0.04 lx/step = 40 lx].

- ALS Persistence  
The ALS INT is asserted as long as the ALS value is higher or lower than the threshold window when ALS\_PERS (1 / 2 / 4 / 8 times) is set to one time. If ALS\_PERS is set to four times, then the ALS INT will not be asserted if the ALS value is not over (or lower) than the threshold window for four continued refresh times (integration time).
- Programmable PS Threshold  
VCNL4100 provides both high and low thresholds 8-bit data setting for proximity sensor. (register: PS\_THDL, PS\_THDH) that fulfills different mechanical designs with the best proximity detection capability for any kind of objects.
- PS Persistence  
The PS persistence function (PS\_PERS 1 / 2 / 3 / 4) helps to avoid false trigger of the PS INT. For example, if PS\_PERS = 3 times, the PS INT will not be asserted unless the PS value is greater than the PS threshold (PS1\_THDH) value for three periods of time continuously.

**Data Access**

All VCNL4100 command registers are readable. To access 16-bit high resolution ALS output data, it is suitable to use read word protocol to read out data by just one command at register: ALS\_Data\_L and ALS\_Data\_M. To represent the 16-bit data of ALS, it has to apply two bytes. One byte is for LSB, and the other byte is for MSB as shown in table 18. In terms of reading out 8-bit PS data, host just need to access register: PS\_Data.

TABLE 18 - 16-BIT ALS DATA FORMAT																
VCNL4100																
Bit	15	14	13	12	11	10	9	8	7	6	5	4	3	2	1	0
Register	ALS_Data_M								ALS_Data_L							

**Interrupt (INT)**

VCNL4100 has ALS and PS interrupt feature operated by a single pin "INT". The purpose of the interrupt feature is to actively inform the host once INT has been asserted. With the interrupt function applied, the host does not need to constantly pull data from the sensor, but to only read data from the sensor when receiving interrupt request from the sensor. As long as the host enables ALS interrupt (register: ALS\_INT\_EN) or PS interrupt (register: PS\_INT) function, the level of INT pin (pin 8) is able to be pulled low once INT asserted. All of registers are accessible even INT is asserted.

ALS INT asserted when ALS value crosses over the value set by register: ALS\_THDH or is lower than the value set by register: ALS\_THDL.

PS INT asserted when PS value crosses over the value set by register: PS\_THDH or is lower than the value set by register: PS\_THDL.



**Interrupt Flag**

Register: INT\_Flag represents all of interrupt trigger status for ALS and PS. Any flag value changes from “0” to “1” state, the level of INT pin will be pulled low. As long as host reads INT\_Flag data, the bit will change from “1” state to “0” state after reading out. The INT level will be returned to high afterwards.

**PROXIMITY DETECTION HYSTERESIS**

A PS detection hysteresis is important to keep the PS state in a certain range of detection distance. For example, PS INT asserts when PS value over PS\_THDH. Host switches on panel backlight and then clears INT. When PS value is less than PS\_THDL, host switches off panel backlight. Any PS value lower than PS\_THDH or higher than PS\_THDL PS INT will not be asserted. Host keeps the same state.

**PACKAGE INFORMATION** in millimeters

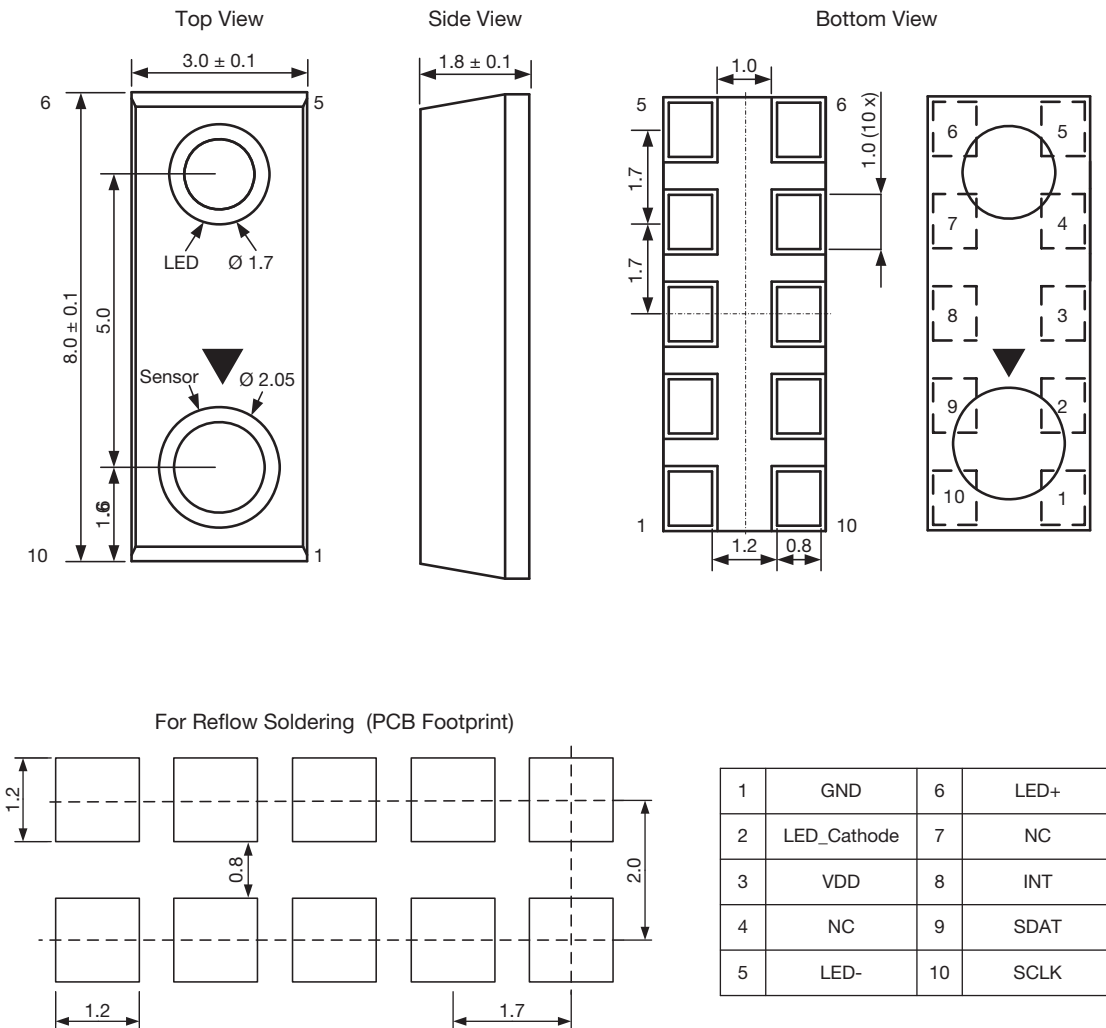


Fig. 12 - VCNL4100 Package Dimensions



**LAYOUT NOTICE AND REFERENCE CIRCUIT**

**Circuit Layout Reference**

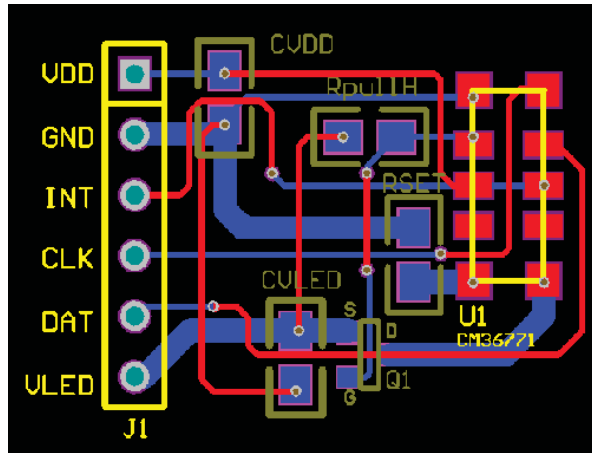


Fig. 13 - Suggested VCNL4100 Layout

**APPLICATION CIRCUIT BLOCK REFERENCE**

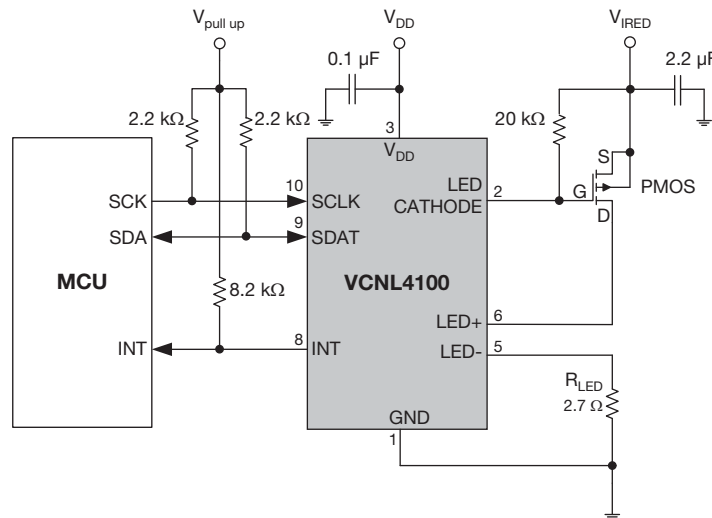


Fig. 14 - VCNL4100 Application Circuit

**Notes**

- V<sub>DD</sub> range: 2.5 V to 3.6 V and V<sub>IRED</sub> is recommended 5.0 V
- Power path of V<sub>DD</sub> and V<sub>IRED</sub> should be independent layout
- The R<sub>LED</sub> resistor value is reference for test stage, it should be adjusted again for the product usage basing on the power and the lens final design.

RECOMMENDED STORAGE AND REBAKING CONDITIONS				
PARAMETER	CONDITIONS	MIN.	MAX.	UNIT
Storage temperature		5	50	°C
Relative humidity		-	60	%
Open time		-	168	h
Total time	From the date code on the aluminized envelope (unopened)	-	12	months
Rebaking	Tape and reel: 60 °C	-	22	h
	Tube: 60 °C	-	22	h



**RECOMMENDED INFRARED REFLOW**

Soldering conditions which are based on J-STD-020 C.

IR REFLOW PROFILE CONDITION			
PARAMETER	CONDITIONS	TEMPERATURE	TIME
Peak temperature		255 °C + 0 °C / - 5 °C (max.: 260 °C)	10 s
Preheat temperature range and timing		150 °C to 200 °C	60 s to 180 s
Timing within 5 °C to peak temperature			10 s to 30 s
Timing maintained above temperature / time		217 °C	60 s to 150 s
Timing from 25 °C to peak temperature			8 min (max.)
Ramp-up rate		3 °C/s (max.)	
Ramp-down rate		6 °C/s (max.)	

Recommend Normal Solder Reflow is 235 °C to 255 °C.

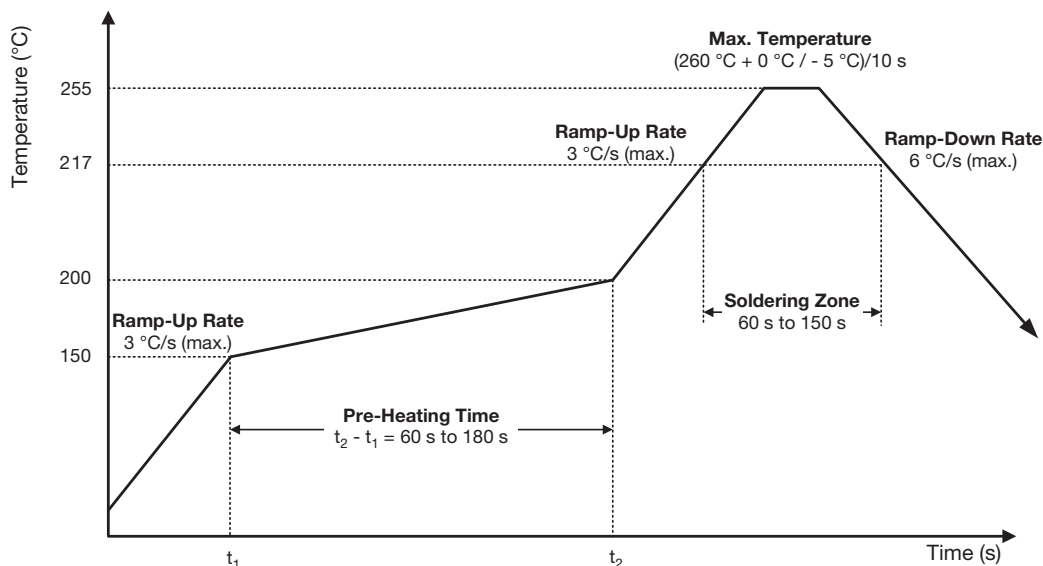


Fig. 15 - VCNL4100 Solder Reflow Profile Chart

**RECOMMENDED IRON TIP SOLDERING CONDITION AND WARNING HANDLING**

1. Solder the device with the following conditions:
  - 1.1. Soldering temperature: 400 °C (max.)
  - 1.2. Soldering time: 3 s (max.)
2. If the temperature of the method portion rises in addition to the residual stress between the leads, the possibility that an open or short circuit occurs due to the deformation or destruction of the resin increases.
3. The following methods: VPS and wave soldering, have not been suggested for the component assembly.
4. Cleaning method conditions:
  - 4.1. Solvent: methyl alcohol, ethyl alcohol, isopropyl alcohol
  - 4.2. Solvent temperature < 45 °C (max.)
  - 4.3. Time: 3 minutes (min.)



TAPE PACKAGING INFORMATION in millimeters

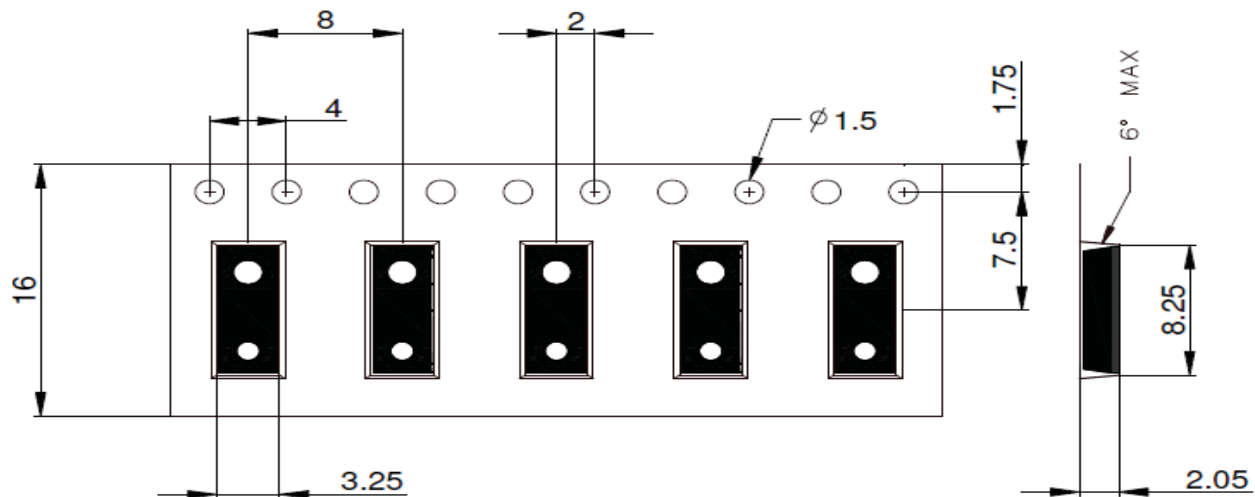


Fig. 16 - Package Carrier Tape

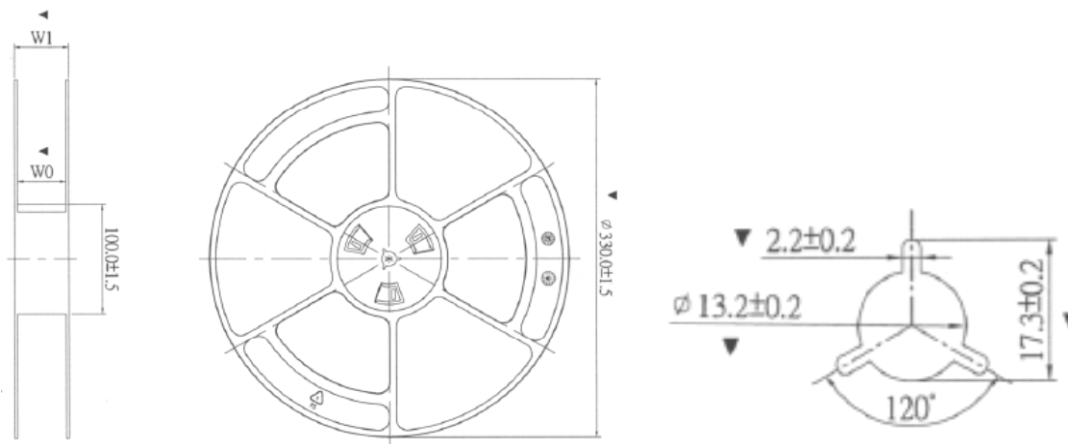


Fig. 17 - Reel Dimensions





## Disclaimer

ALL PRODUCT, PRODUCT SPECIFICATIONS AND DATA ARE SUBJECT TO CHANGE WITHOUT NOTICE TO IMPROVE RELIABILITY, FUNCTION OR DESIGN OR OTHERWISE.

Vishay Intertechnology, Inc., its affiliates, agents, and employees, and all persons acting on its or their behalf (collectively, "Vishay"), disclaim any and all liability for any errors, inaccuracies or incompleteness contained in any datasheet or in any other disclosure relating to any product.

Vishay makes no warranty, representation or guarantee regarding the suitability of the products for any particular purpose or the continuing production of any product. To the maximum extent permitted by applicable law, Vishay disclaims (i) any and all liability arising out of the application or use of any product, (ii) any and all liability, including without limitation special, consequential or incidental damages, and (iii) any and all implied warranties, including warranties of fitness for particular purpose, non-infringement and merchantability.

Statements regarding the suitability of products for certain types of applications are based on Vishay's knowledge of typical requirements that are often placed on Vishay products in generic applications. Such statements are not binding statements about the suitability of products for a particular application. It is the customer's responsibility to validate that a particular product with the properties described in the product specification is suitable for use in a particular application. Parameters provided in datasheets and / or specifications may vary in different applications and performance may vary over time. All operating parameters, including typical parameters, must be validated for each customer application by the customer's technical experts. Product specifications do not expand or otherwise modify Vishay's terms and conditions of purchase, including but not limited to the warranty expressed therein.

Hyperlinks included in this datasheet may direct users to third-party websites. These links are provided as a convenience and for informational purposes only. Inclusion of these hyperlinks does not constitute an endorsement or an approval by Vishay of any of the products, services or opinions of the corporation, organization or individual associated with the third-party website. Vishay disclaims any and all liability and bears no responsibility for the accuracy, legality or content of the third-party website or for that of subsequent links.

Except as expressly indicated in writing, Vishay products are not designed for use in medical, life-saving, or life-sustaining applications or for any other application in which the failure of the Vishay product could result in personal injury or death. Customers using or selling Vishay products not expressly indicated for use in such applications do so at their own risk. Please contact authorized Vishay personnel to obtain written terms and conditions regarding products designed for such applications.

No license, express or implied, by estoppel or otherwise, to any intellectual property rights is granted by this document or by any conduct of Vishay. Product names and markings noted herein may be trademarks of their respective owners.