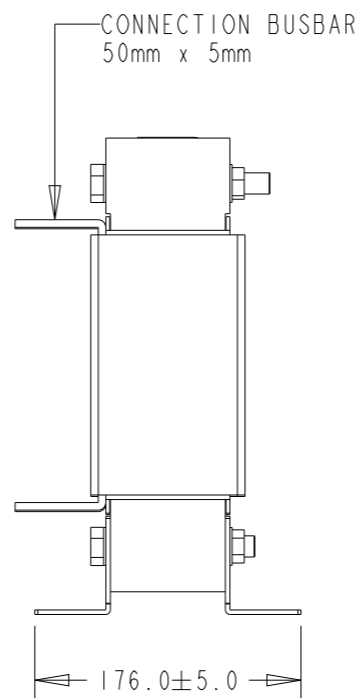
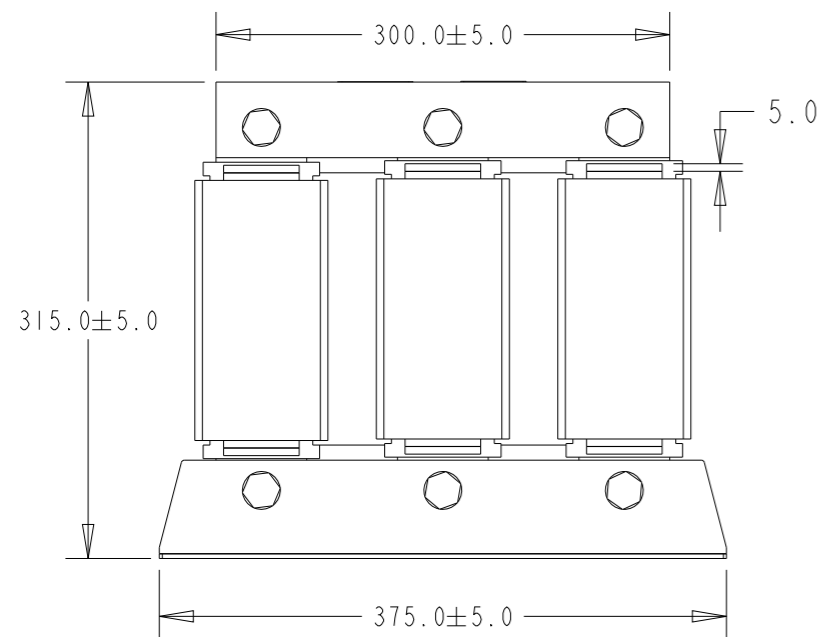
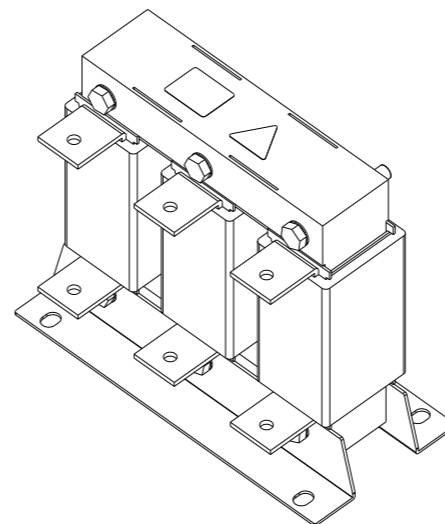
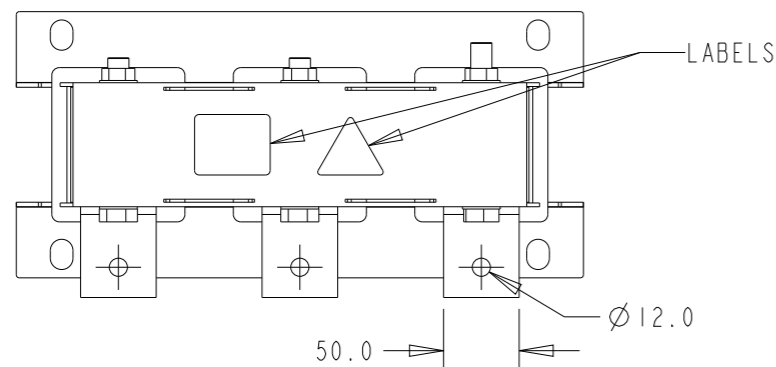


© 20 BY -

REVISIONS

P	LTR	DESCRIPTION	DATE	DWN	APVD
	A	RELEASED FOR PRODUCTION	10FEB2023	DM	CB
	AI	ADDING PRODUCT DATA	07MAR2023	DM	CB



NOMINAL OPERATING VOLTAGE (VAC)	3x 380 to 480
RATED OPERATING VOLTAGE (VAC)	3x 340 to 530
FREQUENCY (Hz)	50 / 60
RATED CURRENT (AMPS)	400.94
OP. TEMP. RANGE @ RATED CURRENT	-45°C to +45°C
RATED POWER @ 400VAC (kW)	250.00
RATED POWER @ 400VAC (HP)	335.12
IMPEDANCE @ 400VAC (%)	4
INDUCTANCE, NOMINAL (mH)	0.073
POWER OVERLOAD, 1 MINUTE EVERY HOUR	1.6
VOLTAGE WITHSTAND 1 MINUTE (kVAC)	2
POLLUTION DEGREE	PD2
COOLING	NATURAL
PROTECTION CLASS	IP00
INSULATION CLASS	N
STORAGE TEMPERATURE RANGE (°C)	-45°C to +100°C
CLIMATIC CATEGORY	45/100/21
DESIGN CORRESPONDING TO	EN61558-2-20, EN60076-6, UL61800-5-1

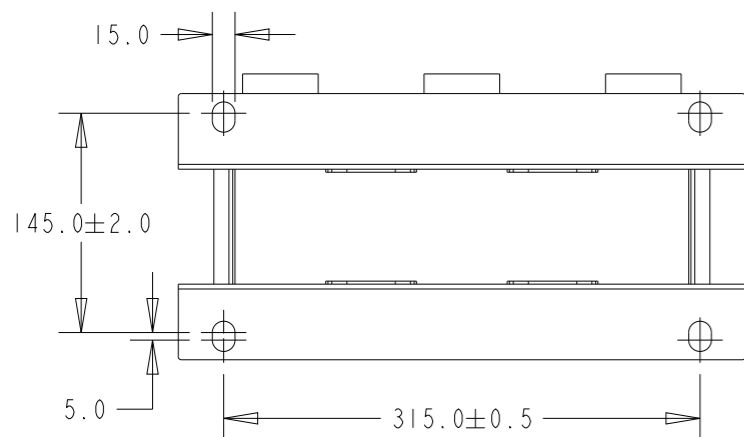
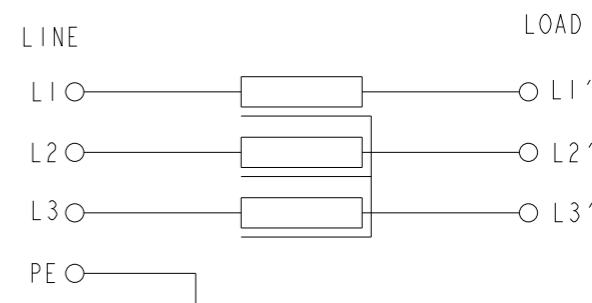
SAFETY ORGANIZATIONS

UL RECOGNIZED AS PER UL 508 HARDWARE CERTIFICATION

DE-RATING FORMULAE FOR OPERATION ABOVE 45°C AMBIENT CONDITIONS:

$$I = I_n \sqrt{\frac{100 - T_{a\ new}}{100 - 45}}$$

TYPICAL CIRCUIT DIAGRAM



THIS DRAWING IS A CONTROLLED DOCUMENT.

DWN C.BOLLE 07OCT2022

CHK C.BOLLE 07OCT2022

APVD L.RAJ 07OCT2022

PRODUCT SPEC

APPLICATION SPEC

WEIGHT

CUSTOMER DRAWING



TE Connectivity

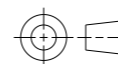
NAME RPO-3-400 THREE LINE REACTOR

SIZE A3 CAGE CODE 00779 DRAWING NO. C-4-2432409-8 RESTRICTED TO

SCALE 1:5 SHEET 1 OF 1 REV AI

DIMENSIONS:

mm



TOLERANCES UNLESS OTHERWISE SPECIFIED:

0 PLC	±-
1 PLC	±0.1
2 PLC	±0.01
3 PLC	±0.001
4 PLC	±0.0001
ANGLES	±-

FINISH

MATERIAL

RoHS COMPLIANT