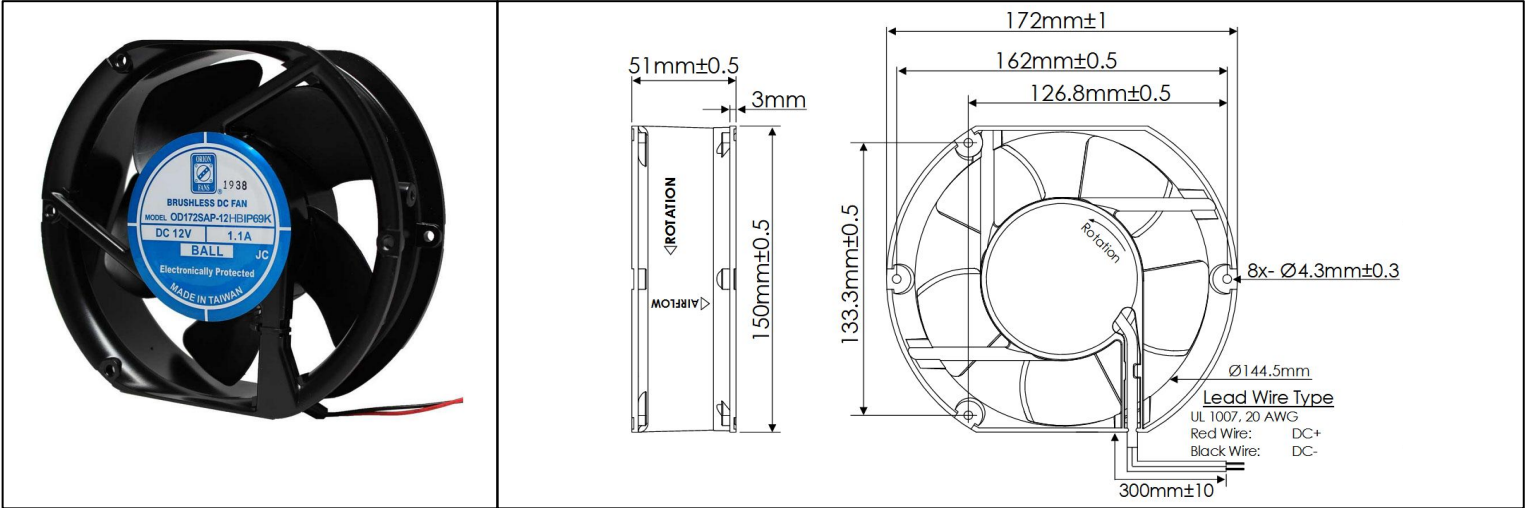


OD172SAP IP69K Series



DC Fans - 24, 48V
172mm x 150mm x 51mm
(6.8" x 5.9" x 2.0")



Frame	Die Cast Aluminum, Black Finish	Operating Temperature -20°C ~ +65°C	
Impeller	PBT, UL94 V-0 Plastic	Storage Temperature -20°C ~ +75°C	
Connection	2x Lead Wires, 20 AWG	Life Expectancy 90,000 Hours (L10 at 35°C)	
Motor	Brushless DC, Auto Cutoff, Auto Restart, Polarity Protected, Electronically Protected, IP69K	Available Options Tachometer Output PWM Speed Control Input Thermal Speed Control 0-10V Speed Control Alarm Output	
Bearing System	Ball Bearings	Weight: 1.8 lbs	
Dielectric Strength	500VDC/min, <1mA		
Insulation Resistance	≥10MΩ @ 500V DC		

Part Number	Rated Voltage (Volts DC)	Voltage Range (Volts DC)	Input Power (Watts)	Rated Current (Amps)	Rated Speed (RPM)	Max Airflow (CFM)	Noise Level (dBA)	Max Static Pressure (" H ₂ O)
OD172SAP-24HBIP69K	24	22 ~ 26.4	24.0	0.97	3300	235	52	0.79
OD172SAP-48HBIP69K	48	40 ~ 52.0	23.5	0.48	3300	235	52	0.79