

4

3

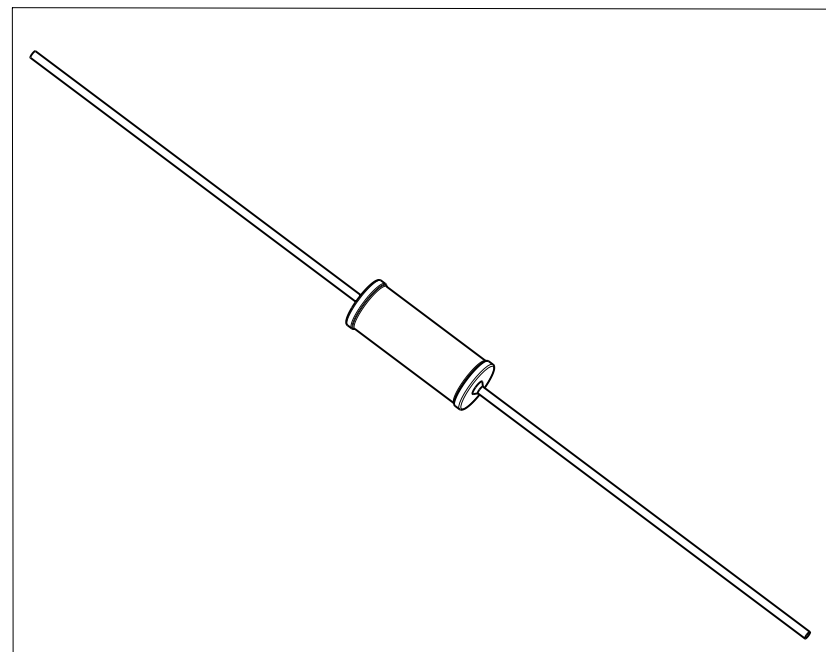
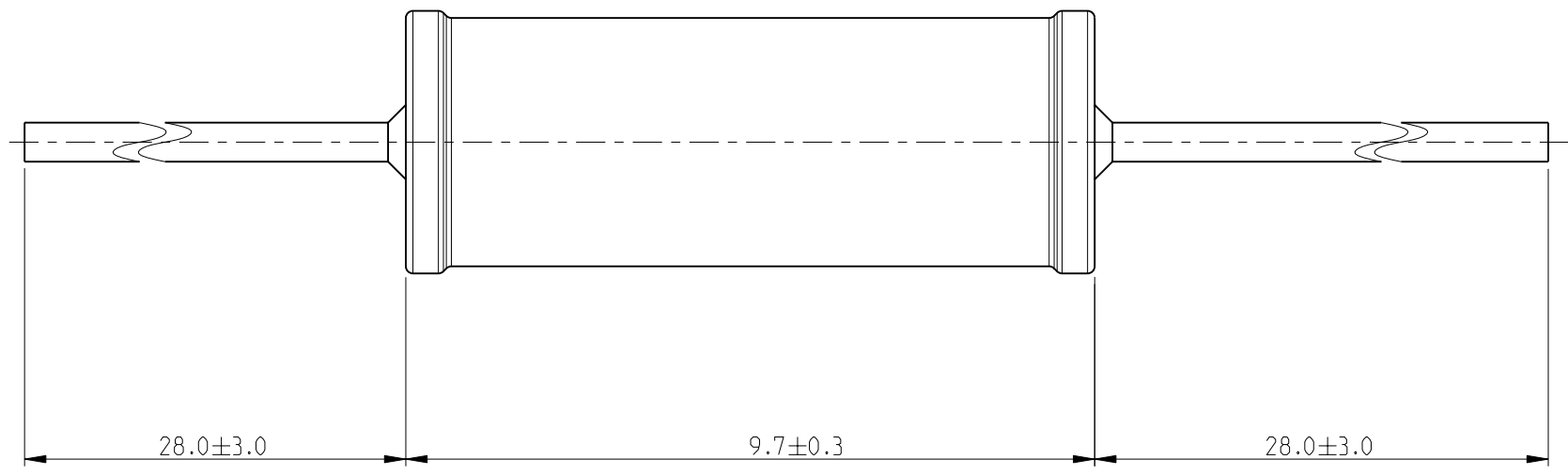
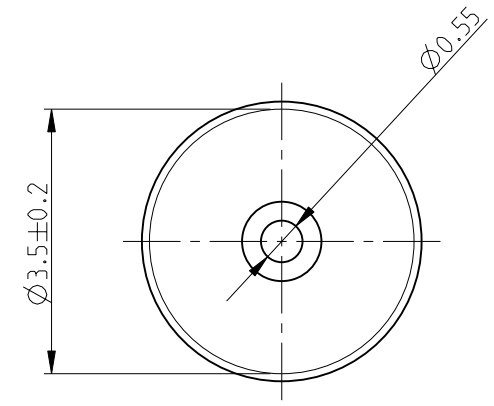
2

1

THIS DRAWING IS UNPUBLISHED. RELEASED FOR PUBLICATION 2010
 © COPYRIGHT 2010 BY TYCO ELECTRONICS CORPORATION. ALL RIGHTS RESERVED.

LOC	DIST	REVISIONS			
P	LTR	DESCRIPTION	DATE	DWN	APVD
E	B	BA	NEW RELEASE	06JULY2010	PT St.P

FOR FURTHER INFORMATION SEE DATA SHEET FOR
 SERIES LR, METAL FILM FIXED RESISTORS



RoHS Compliant

<small>THIS DRAWING IS A CONTROLLED DOCUMENT FOR TYCO ELECTRONICS CORPORATION IT IS SUBJECT TO CHANGE AND THE CONTROLLING ENGINEERING ORGANIZATION SHOULD BE CONTACTED FOR THE LATEST REVISION.</small>		DWN	06JULY2010	Tyco Electronics Corporation		
DIMENSIONS:		CHK	06JULY2010	Dorcan, Swindon, SN3 5HH		
mm	TOLERANCES UNLESS OTHERWISE SPECIFIED:	APVD	06JULY2010	NAME		
	0 PLC ± 0.2	PRODUCT SPEC	-	METAL FILM FIXED RESISTORS		
	1 PLC ± 0.1	APPLICATION SPEC	-	SERIES LR2		
	2 PLC ± -	WEIGHT	-	SIZE	A3	
	3 PLC ± -	CUSTOMER DRAWING	SCALE	10:1	CAGE CODE	00779
	4 PLC ± -	FINISH	-	DRAWING NO	C=1622768	RESTRICTED TO
ANGLES ± 5°						
MATERIAL -						
			SHEET	1 OF 1	REV	
					BA	