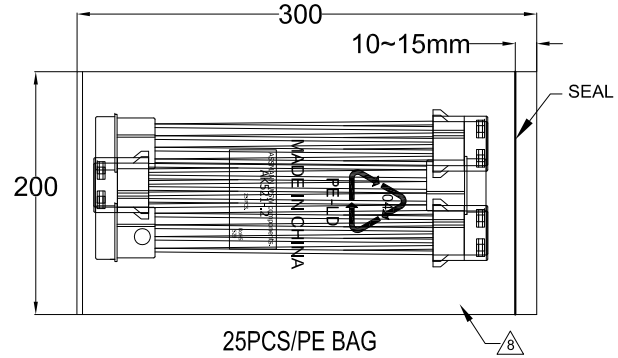


PIN ASSIGNMENT:


P2	P1	P3
1 — YELLOW	1 — YELLOW	1
2 — BLACK	2 — BLACK	2
3 — BLACK	3 — BLACK	3
4 — RED	4 — RED	4



25PCS/PE BAG

10	TER	BIG 4PIN FEMALE TERMINAL PH=5.08mm MATERIAL:BRASSB TIN-PLATED	4	PCS
9	HSG	BIG 4PIN MALE HOUSING PH5.08mm INSULATOR WHITE.	1	PCS
8	PE BAG	CLEAR SIZE:200*300*0.05mm PRINT BLACK"MADE IN CHINA"*"25PCS"	1/25	PCS
7	TER	SMALL 4PIN MALE TERMINAL MATERIAL:BRASS TIN-PLATED	4	PCS
6	HSG	SMALL 4PIN FEMALE HOUSING PH2.54mm INSULATOR WHITE.	1	PCS
5	TER	BIG 4PIN MALE TERMINAL PH=5.08mm MATERIAL:BRASSB TIN-PLATED 18AWG	4	PCS
4	HSG	BIG 4PIN HOUSING FEMALE PH5.08mm INSULATOR WHITE.	1	PCS
3	CABLE	RED UL1007 18AWG(34/0.16) OD2.0 L=180+1/-0mm.	2	PCS
2	CABLE	BLACK UL1007 18AWG(34/0.16) OD2.0 L=180+1/-0mm.	4	PCS
1	CABLE	YELLOW UL1007 18AWG(34/0.16) OD2.0 L=180+1/-0mm.	2	PCS
No.	NAME	DESCRIPTION	Q'TY	UNIT

RoHS compliant
Unit: mm

Scale	Free				Date	Name	Customer-No.
TOLERANCE					Drawn	Segal	
					Approved	Segal	
DIM	TOL						
		© Drawn	23.02.2019	Segal			
Angle	TOL	Id.	Modification	Date			

ASSMANN WSW-No.		AK521-.2	
Drawing-No.		ASS 8506 CA	
Replace		rev00	
		Sheet	