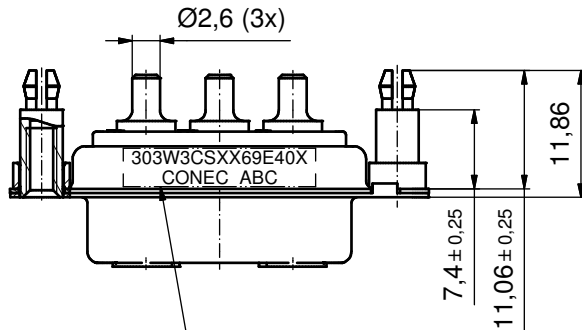
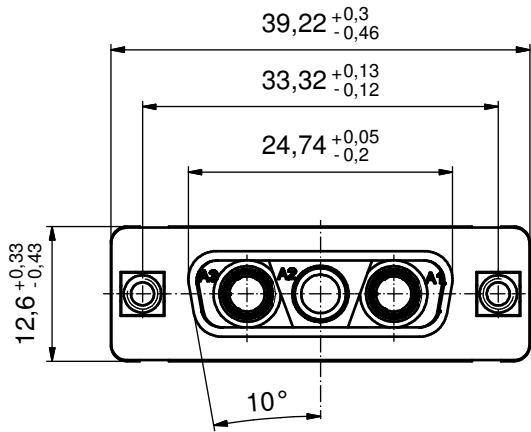
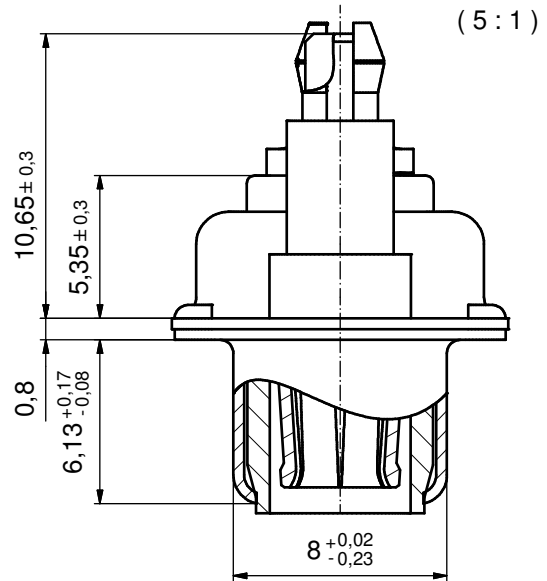
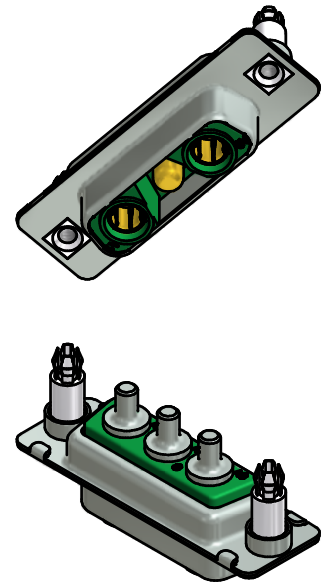


P.C.B. HOLE DRILLINGS
(P.C.B. TOP SIDE)



SEE NOTE 7



NOTES:

- METALSHELLS: STEEL; min. 315µin TIN over 40-80µin NICKEL
- INSULATORS: PBT GF UL 94 V-0; GREEN
- HIGH POWER CONTACTS 20A: COPPER ALLOY
PLATING MATING AREA: GOLD FLASH over NICKEL
PLATING TERMINATION SIDE: 160-240µin TIN over 80µin NICKEL
FEMALE CONTACT ON POS. A1 + A3; MALE CONTACT ON POS. A2
- THREADED SPACER CLIPS: COPPER ALLOY; min. 200µin TIN over 80µin NICKEL
PCB-HOLE: $\varnothing 3,1 \pm 0,1$; PCB THICKNESS 2,3mm
- COLLARS: COPPER ALLOY; min. 200µin TIN over 80µin NICKEL
- MAXIMUM TORQUE VALUE FOR THREAD: 6 in.LB
- CONNECTOR IS PART MARKED: **303W3CSXX69E40X CONEC ABC**

Directive 2002/95/EC RoHS compliant

THIS DRAWING MAY NOT BE COPIED OR REPRODUCED IN ANY WAY, AND MAY NOT BE PASSED ON TO A THIRD PARTY WITHOUT WRITTEN PERMISSION. OWNERSHIP AND COPYRIGHT OF CONEC GmbH DO NOT ALTER CAD DRAWING BY HAND	tolerance			dim. in mm	scale: 2:1 (5:1)			
					material: SEE NOTES			
				date	name	title: D-SUB COMBINATION FEMALE 3W3CS with threaded spacer clip		
				drawn	14.03.11			Henneboel
				appd.	14.03.11			Koch
				norm				
				d-old			dwg no:	DIN-A3
				a	Origin	13K1A3611		sh: 1
				rev.	description	date	name	part no: 303W3CSXX69E40X