

4

3

2

1

THIS DRAWING IS UNPUBLISHED RELEASED FOR PUBLICATION - ,2018.

© COPYRIGHT - 2017 by TE Connectivity Germany GmbH ALL RIGHTS RESERVED.

REVISIONS

P	LTR	DESCRIPTION	DATE	DWN	APVD
	A2	REVISED PER ECR-19-000980	24JAN2019	SR	JDB

Material:

COVER : LCP, black, UL-94-V0

HEADER : Black WH-9100, UL-94-V0

LEAD FRAME: C5191-HV170-190 °

SOLDER PIN PLATING: 7 μm (275 μinch) TIN 1.27 μm (50 μinch) NICKEL OVER ALL

2 THE PART IS RECOMMENDED FOR REFLOW SOLDERING PROCESS PEAK

SOLDERING: TEMPERATURE MAX. +260 °C/-5 °C, MAX. 30s

3 OPERATING TEMPERATURE: T= -40 °C TO +105 °C

4 STORAGE TEMPERATURE: T= -40 °C TO +85 °C

5 DC CURRENT/VOLTAGE RATING-PSE PINS: 720mA @57V(CONTINUOUS)

6 MEET IEEE 802.3at REQUIRMENT

UNLESS OTHERWISE SPECIFIED, SEE TABLE FOR ALL DIMENSIONS TOLERANCES

8 PACKAGING: REEL (T+R) ACCORDING TO PACKAGING SPECIFICATION 107-18128

SUGGESTED PCB LAYOUT

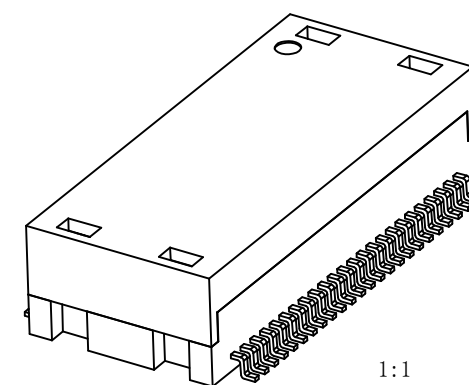
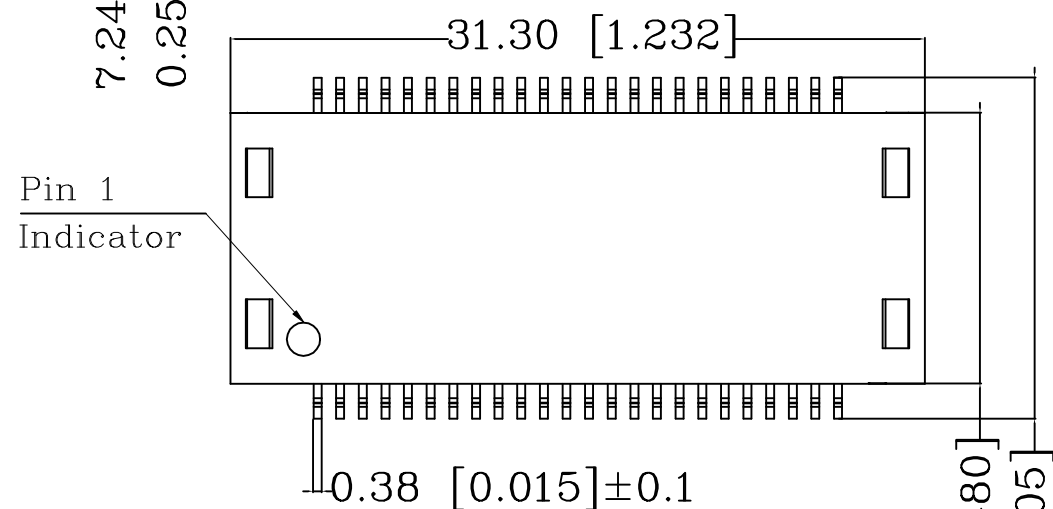
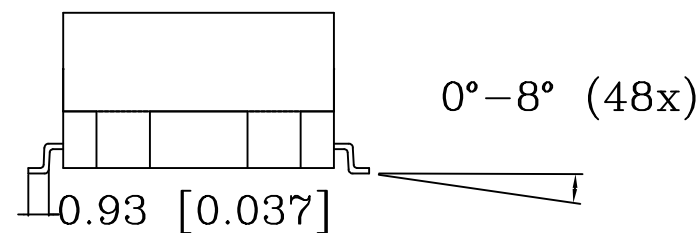
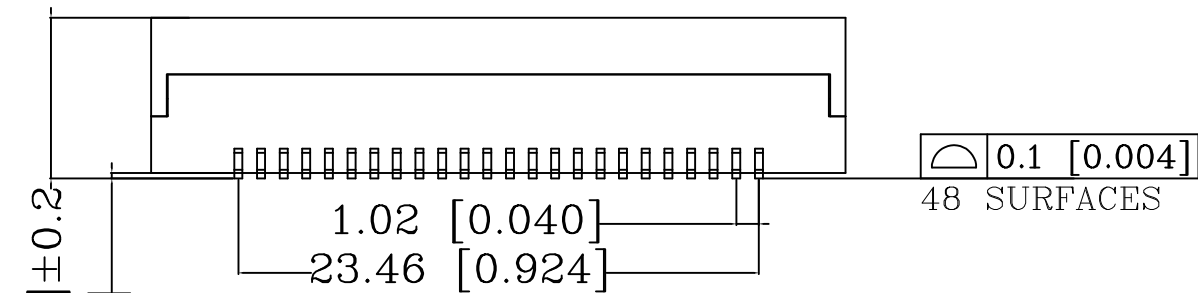
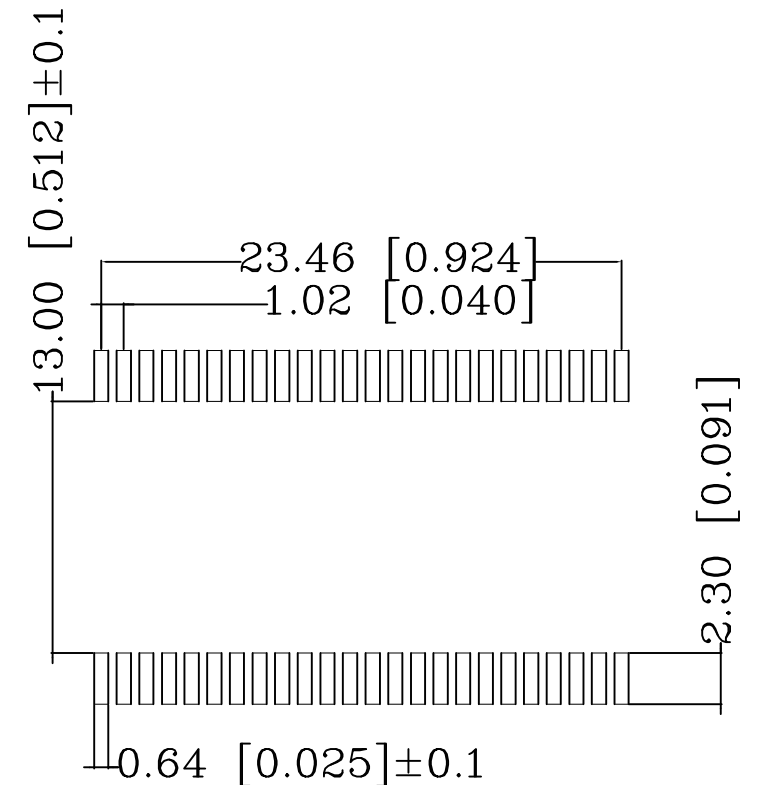


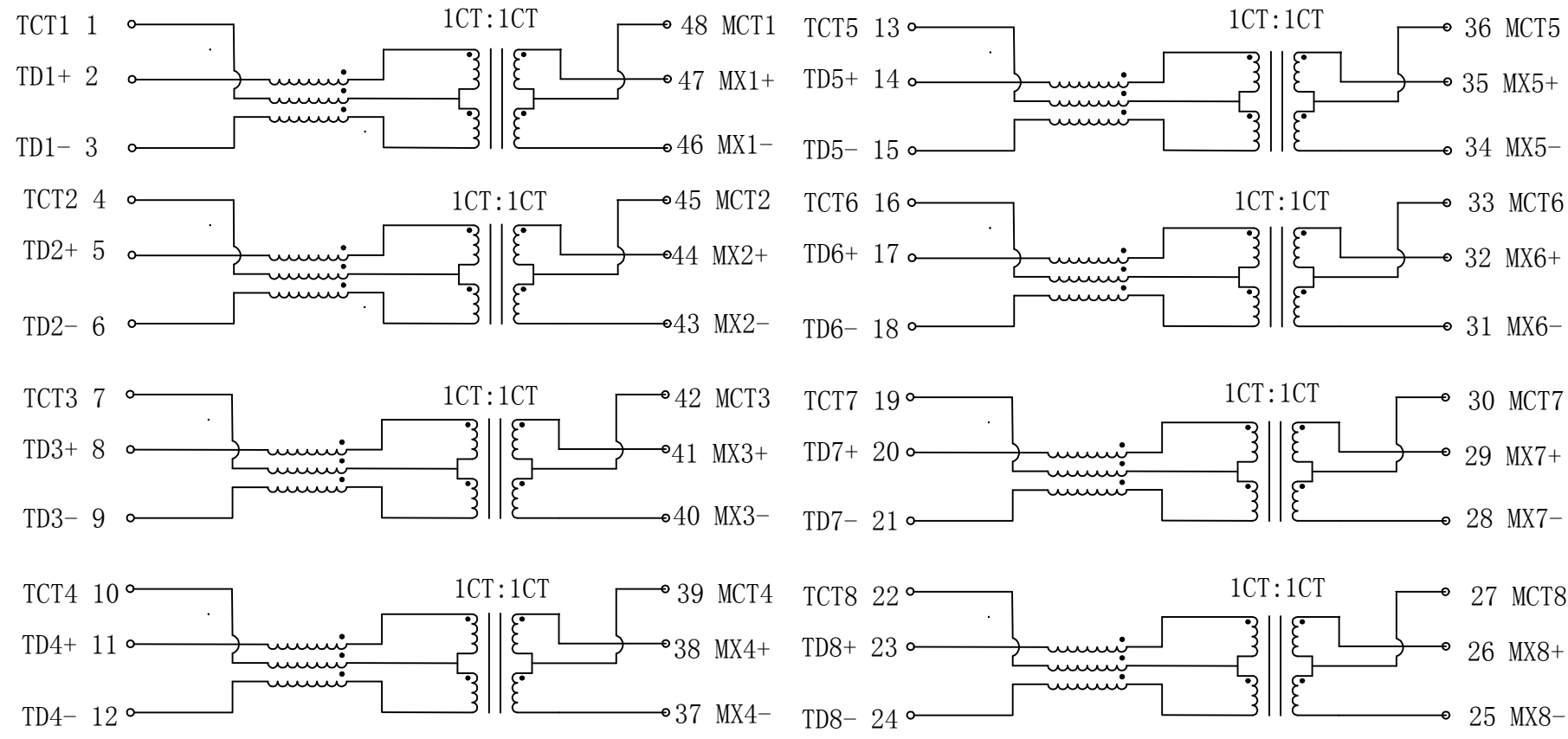
TABLE OF TOLERANCE (mm)	
RANGE	TOLERANCE
0-10	±0.15
>10-40	±0.25
>40-70	±0.30
>70	±0.40

THIS DRAWING IS A CONTROLLED DOCUMENT.		DWN 05JUL2018 GANESH C M	TE Connectivity																
DIMENSIONS: mm [INCHES]		CHK 05JUL2018 A.C. NGOUMGANG																	
TOLERANCES UNLESS OTHERWISE SPECIFIED:		APVD 05JUL2018 J. DE BRUIJN	NAME DISCR.ETH.MAG. POE 1G DUAL SMT																
<table border="0"> <tr> <td>0 PLC</td> <td>± -</td> <td rowspan="4"> </td> </tr> <tr> <td>1 PLC</td> <td>± -</td> </tr> <tr> <td>2 PLC</td> <td>± -</td> </tr> <tr> <td>3 PLC</td> <td>± -</td> </tr> <tr> <td>4 PLC</td> <td>± -</td> <td></td> </tr> <tr> <td>ANGLES</td> <td>± -</td> <td></td> </tr> </table>		0 PLC	± -		1 PLC	± -	2 PLC	± -	3 PLC	± -	4 PLC	± -		ANGLES	± -		PRODUCT SPEC 108-94693	SIZE CAGE CODE DRAWING NO RESTRICTED TO	
0 PLC	± -																		
1 PLC	± -																		
2 PLC	± -																		
3 PLC	± -																		
4 PLC	± -																		
ANGLES	± -																		
MATERIAL		APPLICATION SPEC 114-94555	A3	00779	C=2337824-4														
FINISH		WEIGHT	CUSTOMER DRAWING		SCALE 3:1 SHEET 1 of 2 REV A2														

REVISIONS

P	LTR	DESCRIPTION	DATE	DWN	APVD
-	-	SEE SHEET 1	-	-	-

CIRCUIT DIAGRAM



Electrical Specifications @ 25 °C
 (Unless other specified meet IEEE 802.3 Specification)

Turn Ratio	1CT:1CT ±2%	
Inductance (OCL) @100kHz/0.1V with 8mA DC Bias	350 µH min.	
Insertion Loss	0.1-100MHz	-1 dB max.
	1-30MHz	-18 dB min.
Return Loss (Zout = 100 OHMS)	40MHz	-14.4 dB min.
	50MHz	-13.1 dB min.
	80MHz	-12 dB min.
	100MHz	-10 dB min.
Crosstalk	30MHz	-40 dB min.
	60MHz	-35 dB min.
	100MHz	-30 dB min.
DCMR	30MHz	-40 dB min.
	60MHz	-35 dB min.
	100MHz	-30 dB min.
Isolation Voltage (Input - Output)	1500 Vrms	



CONTROL CODE
 DATE CODE
 "0213"
 YY-YEAR
 WW-WEEK

THIS DRAWING IS A CONTROLLED DOCUMENT.		DWN GANESH C M 05JUL2018	TE Connectivity NAME DISCR.ETH.MAG. POE 1G DUAL SMT	
DIMENSIONS: mm [INCHES]		CHK A.C. NGOUMGANG 05JUL2018		
		APVD J. DE BRUIJN 05JUL2018	DRAWING NO 2337824-4	
TOLERANCES UNLESS OTHERWISE SPECIFIED:		PRODUCT SPEC 108-94693	RESTRICTED TO	
0 PLC ± - 1 PLC ± - 2 PLC ± - 3 PLC ± - 4 PLC ± - ANGLES ± -		APPLICATION SPEC 114-94555	SIZE A3	CAGE CODE 00779
MATERIAL 1		FINISH 1	DRAWING NO 2337824-4	
		WEIGHT	SCALE 3:1	
		CUSTOMER DRAWING	SHEET 2 of 2	
			REV A2	