

4

3

2

1

THIS DRAWING IS UNPUBLISHED.

RELEASED FOR PUBLICATION

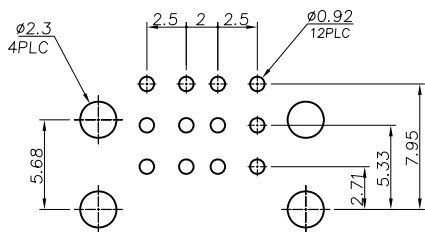
AUG 2006 .

© COPYRIGHT BY TYCO ELECTRONICS CORPORATION. ALL RIGHTS RESERVED.

LOC DW DIST

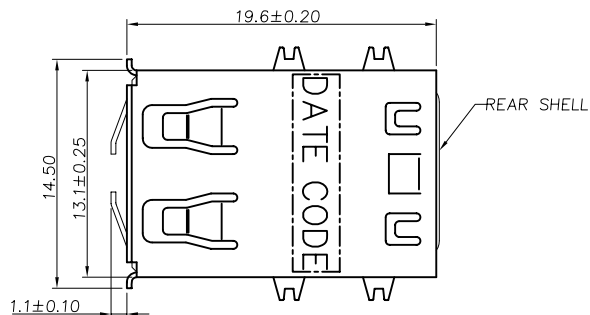
REVISIONS

P	LTR	DESCRIPTION	DATE	DWN	APVD
B3		REVISED (ECR-11-011518)	02JUN11	SC	WK



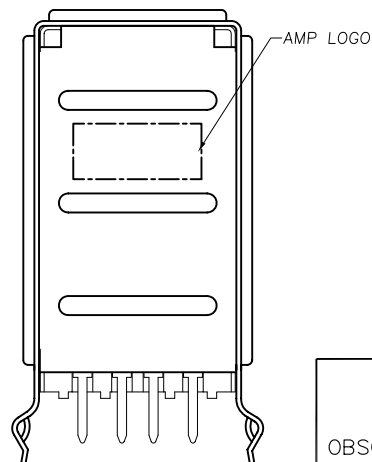
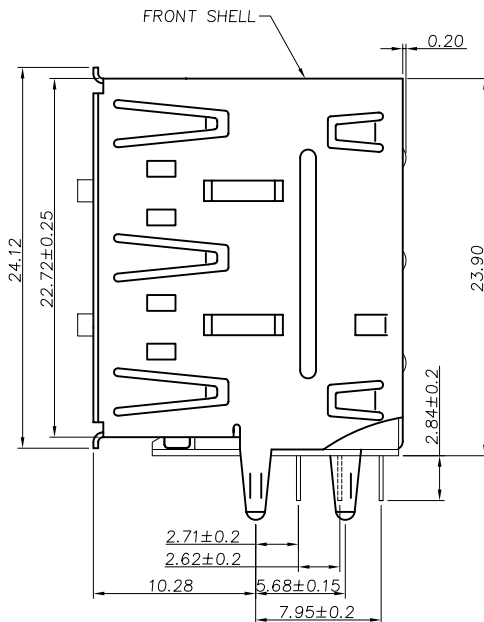
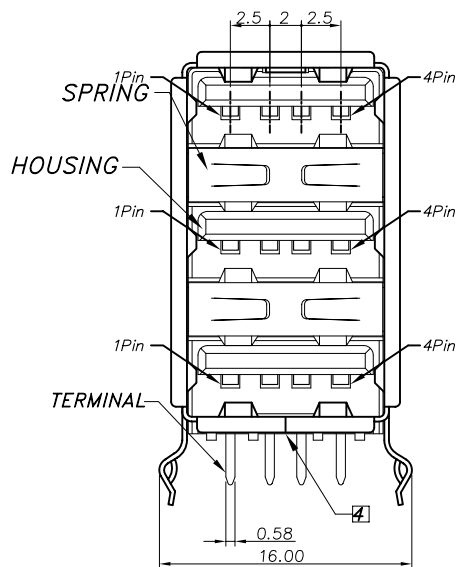
RECOMMENDED PCB LAYOUT

PCB TOLERANCE : ±0.05



NOTES :

- MATERIAL :
HOUSING : THERMOPLATIC, UL 94V-0, COLOR: SEE TABLE.
CONTACT : PHOSPHOR BRONZE, (t=0.25mm).
FRONT SHELL & SPRING : BRASS, (t=0.30mm).
REAR SHELL : SPCC (t=0.30mm).
- FINISH :
CONTACT : GOLD PLATED(SEE TABLE) ON CONTACT AREA, 100u" MIN. TIN PLATED ON SOLDER TAILS, 50u" MIN. NICKEL UNDERPLATED ALL OVER.
FRONT SHELL: 40u" MIN. NICKEL PLATED OVER 50u" MIN. CU UNDERPLATED ALL OVER.
REAR SHELL: 100u" MIN. NICKEL PLATED OVER 100u" MIN. CU UNDERPLATED ALL OVER.
- TOLERANCE : ±0.30mm.
[A] GAP.0.25mm(MAX.)

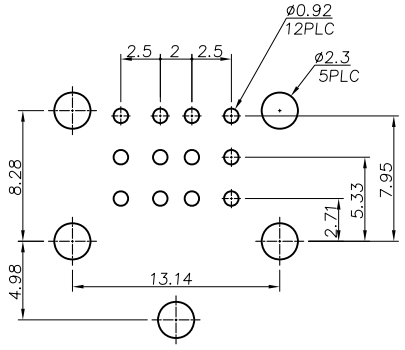


OBSOLETE	30μ"	BLACK	1734181-6
	30μ"	WHITE	1734181-5
	5μ"	BLACK	1734181-4
		WHITE	1734181-3
	GOLD FLASH	BLACK	1734181-2
WHITE		1734181-1	
	MIN. GOLD THICKNESS	HSG. COLOR	PART NUMBER

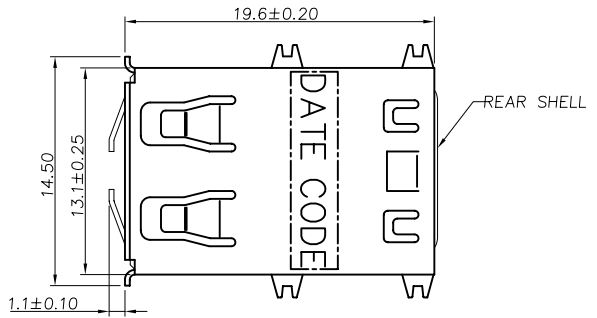
THIS DRAWING IS A CONTROLLED DOCUMENT.

DIMENSIONS: MM	TOLERANCES UNLESS OTHERWISE SPECIFIED:	DWN S. CHIEN 14APR2009	TE Connectivity
	0 PLC ± 0.3 1 PLC ± 0.3 2 PLC ± 0.3 3 PLC ± 4 PLC ± ANGLES ± 3°	CHK S. CHIEN 14APR2009 APVD W. KODAMA 14APR2009 PRODUCT SPEC 108-57113 QUALIFICATION TEST REPORT 501-57061	
MATERIAL	FINISH	WEIGHT	RCPT. ASS'Y TRIPLE STACKED USB, R/A, A TYPE.
SEE NOTE	SEE NOTE	CUSTOMER DRAWING	SIZE A3 CAGE CODE 00779 DRAWING NO G=1734181 RESTRICTED TO
			SCALE SHEET 1 of 3 REV B3

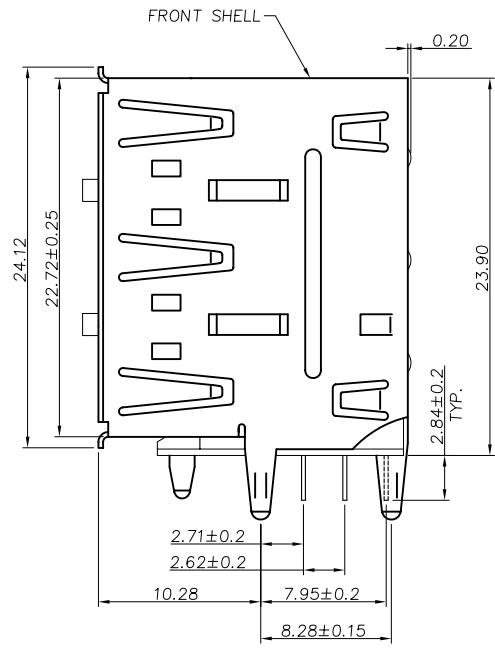
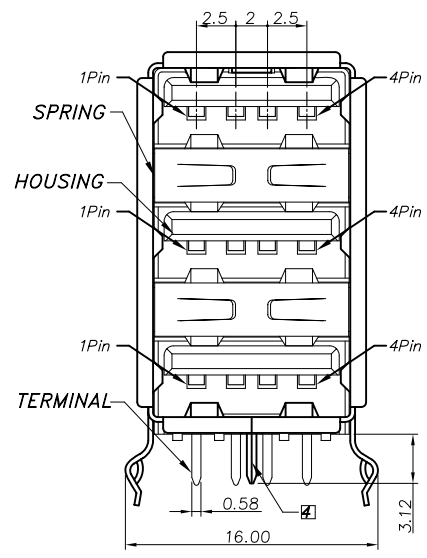
LOC		DIST		REVISIONS			
P	LTR	DESCRIPTION		DATE	DWN	APVD	
DW				SEE SHEET 1.			



RECOMMENDED PCB LAYOUT
PCB TOLERANCE : ±0.05



- NOTES :
- MATERIAL :
HOUSING : THERMOPLASTIC, UL 94V-0, COLOR: SEE TABLE.
CONTACT : PHOSPHOR BRONZE, (t=0.25mm).
FRONT SHELL & SPRING : BRASS, (t=0.30mm).
REAR SHELL : SPCC (t=0.30mm).
 - FINISH :
CONTACT : GOLD PLATED(SEE TABLE) ON CONTACT AREA, 100u" MIN. TIN PLATED ON SOLDER TAILS, 50u" MIN. NICKEL UNDERPLATED ALL OVER.
FRONT SHELL: 40u" MIN. NICKEL PLATED OVER 50u" MIN. CU UNDERPLATED ALL OVER.
REAR SHELL: 100u" MIN. NICKEL PLATED OVER 100u" MIN. CU UNDERPLATED ALL OVER.
 - TOLERANCE : ±0.30mm.
4. GAP.0.25mm(MAX.)



OBSOLETE	30μ"	BLACK	1-1734181-2
		WHITE	1-1734181-1
	5μ"	BLACK	1-1734181-0
		WHITE	1734181-9
	GOLD FLASH	BLACK	1734181-8
		WHITE	1734181-7
MIN. GOLD THICKNESS	HSG. COLOR	PART NUMBER	

THIS DRAWING IS A CONTROLLED DOCUMENT.

DIMENSIONS: MM	TOLERANCES UNLESS OTHERWISE SPECIFIED:	DWN	CHK	APVD	NAME
0 PLC ± -	1 PLC ± -	PRODUCT SPEC	RCPT. ASS'Y TRIPLE STACKED USB, R/A, A TYPE.		
2 PLC ± -	3 PLC ± -	APPLICATION SPEC	SIZE	CAGE CODE	DRAWING NO
4 PLC ± -	ANGLES ± -	WEIGHT	A3	00779	C=1734181
MATERIAL	FINISH	CUSTOMER DRAWING	SCALE	SHEET	REV
				2 of 3	B3

STE TE Connectivity

THIS DRAWING IS UNPUBLISHED.

RELEASED FOR PUBLICATION

AUG 2006 .

© COPYRIGHT BY TYCO ELECTRONICS CORPORATION. ALL RIGHTS RESERVED.

LOC DW

DIST

REVISIONS

P	LTR	DESCRIPTION	DATE	DWN	APVD
		SEE SHEET 1.			

D

D

C

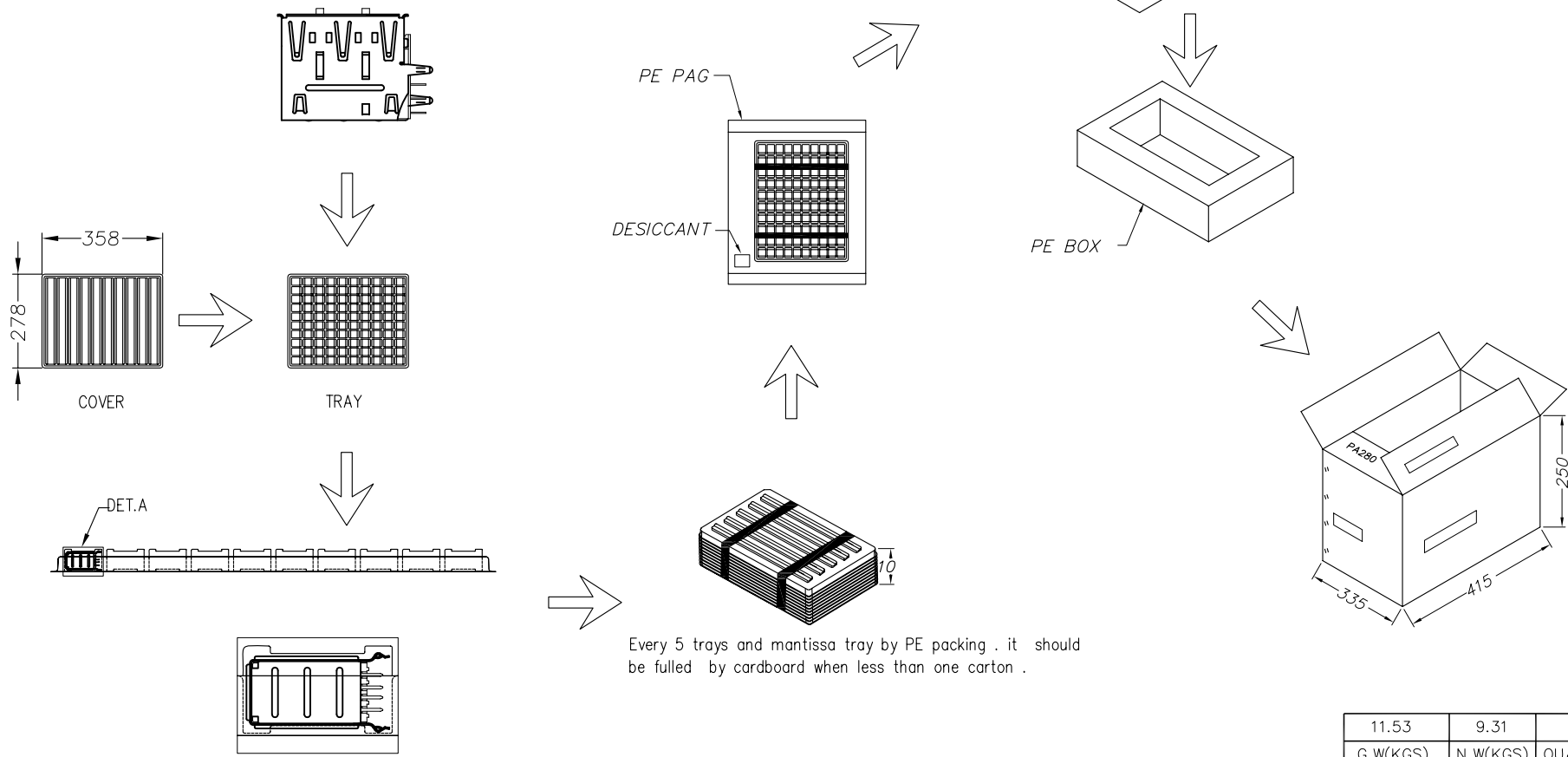
C

B

B

A

A



Every 5 trays and mantissa tray by PE packing . it should be fuled by cardboard when less than one carton .

11.53	9.31	1000	100
G.W(KGS)	N.W(KGS)	QUANTITY/BOX	PCS/TRAY

THIS DRAWING IS A CONTROLLED DOCUMENT.

DIMENSIONS: MM	TOLERANCES UNLESS OTHERWISE SPECIFIED: 0 PLC ± - 1 PLC ± - 2 PLC ± - 3 PLC ± - 4 PLC ± - ANGLES ± -	DWN	CHK	APVD	NAME
MATERIAL	FINISH	PRODUCT SPEC	APPLICATION SPEC	WEIGHT	SIZE CAGE CODE DRAWING NO RESTRICTED TO
		CUSTOMER DRAWING		SCALE	SHEET 3 of 3 REV B3

STE TE Connectivity

RCPT. ASS'Y TRIPLE STACKED USB, R/A, A TYPE.

A300779 G=1734181