

| MATERIAL NO. | ENGINEERING NO. | FINISHED LENGTH |
|--------------|-----------------|-----------------|
| 1300660237 | CR4000A30M750 | 75 METERS |
| 1300660165 | CR4000A30M070 | 7 METERS |
| 1300660164 | CR4000A30M060 | 6 METERS |
| 1300660163 | CR4000A30M050 | 5 METERS |
| 1300660162 | CR4000A30M030 | 3 METERS |
| 1300660160 | CR4000A30M020 | 2 METERS |
| 1300660159 | CR4000A30M017 | 1.7 METERS |
| 1300660158 | CR4000A30M016 | 1.6 METERS |
| 1300660157 | CR4000A30M013 | 1.3 METERS |
| 1300660156 | CR4000A30M011 | 1.1 METERS |
| 1300660154 | CR4000A30M010 | 1 METERS |
| 1300660153 | CR4000A30M009 | 0.9 METERS |
| 1300660152 | CR4000A30M005 | 0.5 METERS |
| 1300660150 | CR4000A30M003 | 0.3 METERS |
| 1300660149 | CR4000A30A120 | 12 INCHES |
| 1300662008 | CR4000A30M040 | 4 METERS |

CABLE LENGTH TOLERANCES

(F) <.3M [1FT]: +19mm-0 [+1.75in-0]

.3 - <.9M [1 - <3FT]: +44.5mm-0 [+1.75in-0]

.9 - <1.8M [3 - <6FT]: +55.6mm-0 [+2.19in-0]

1.8 - <3.7M [6 - <12FT]: +88.9mm-0 [+3.50in-0]

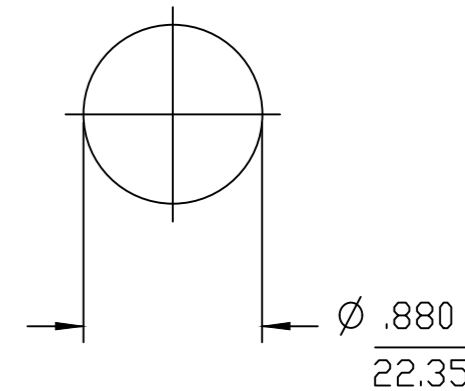
3.7 - <7.3M [12 - <24FT]: +165.1mm-0 [+6.50in-0]

7.3 - <14.6M [24 - <48FT]: +317.5mm-0 [+12.50in-0]

14.6 - <30.5M [48 - <100FT]: +622.3mm-0 [+24.50in-0]

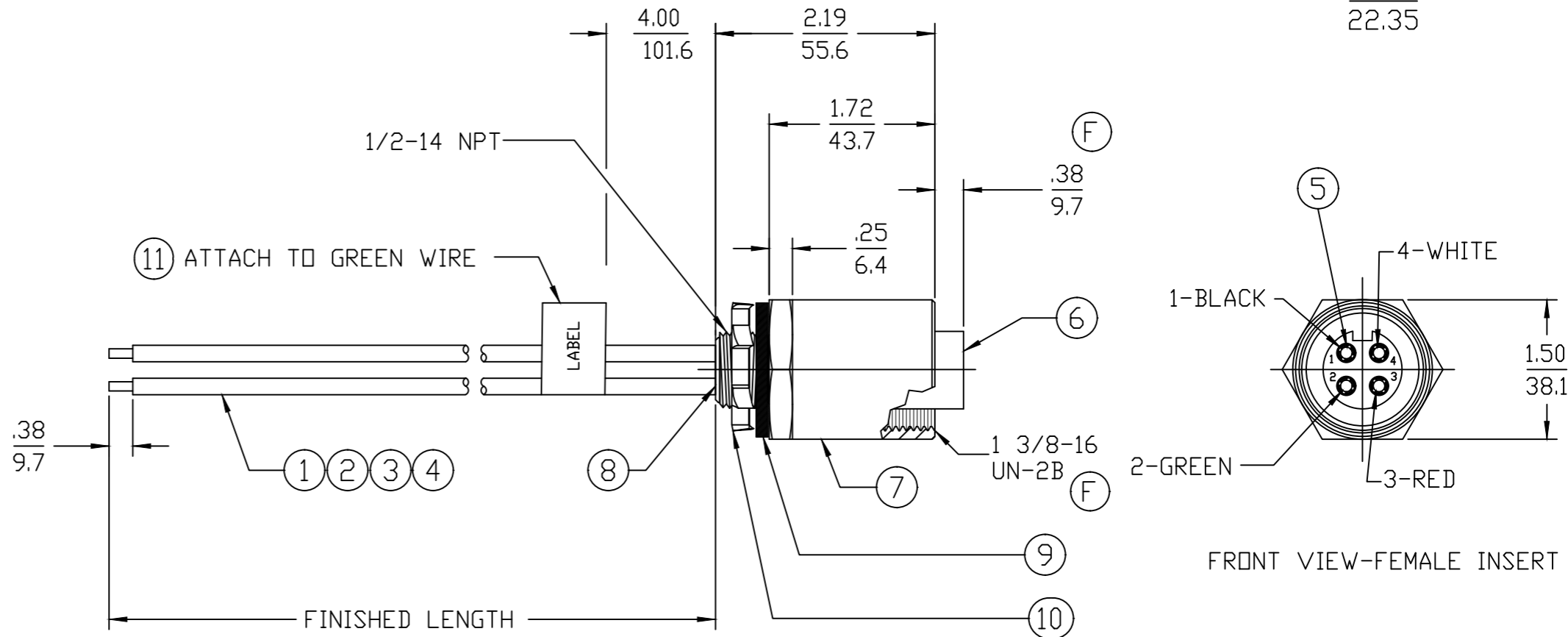
OVER 30M [100FT] +2% OF FINISHED LENGTH

KNOCKOUT HOLE



NOTES:

- MATERIAL: AS NOTED
- FINISHES: AS NOTED
- ELECTRICAL SPECIFICATIONS
VOLTAGE RATING: 500V PER IEC60664
600V PER UL2237
CURRENT RATING: 32 AMPS
- PROTECTION: IP67 (WHEN MATED)
- TEMP RANGE: -20°C TO +90°C
- AGENCY LISTING: E258922, PVVA
- ALL DIMS ARE FOR REFERENCE
UNLESS NOTED OTHERWISE



| ITEM | DESCRIPTION | MATERIAL | FINISH |
|------|-----------------------|----------------|-------------|
| 11 | FLAG LABEL | VINYL | YELLOW |
| 10 | LOCK NUT | STEEL | ZINC PLATED |
| 9 | GASKET | NEOPRENE | BLACK |
| 8 | POTTING | EPOXY | BLACK |
| 7 | RECEPTACLE SHELL | ALUMINUM ALLOY | ANODIZED |
| 6 | FEMALE INSERT | TPE | BLACK |
| 5 | SOCKET CONTACT | COPPER | GOLD PLATED |
| 4 | #10-1 AWG UL1015 WIRE | PVC JACKET | RED |
| 3 | #10-1 AWG UL1015 WIRE | PVC JACKET | GREEN |
| 2 | #10-1 AWG UL1015 WIRE | PVC JACKET | WHITE |
| 1 | #10-1 AWG UL1015 WIRE | PVC JACKET | BLACK |

PART NO. LEGEND
CR4000A30M005

WIRE TYPE: 10 AWG PVC

FINISHED LENGTH
M005= 0.5 METER
M010= 1 METER
M100= 10 METERS
A120= 12 INCHES

| | | |
|---|---|---------------------------|
| FUNCTIONAL SYMBOLS | THIS DRAWING CONTAINS INFORMATION THAT IS PROPRIETARY TO MOLEX ELECTRONIC TECHNOLOGIES, LLC AND SHOULD NOT BE USED WITHOUT WRITTEN PERMISSION | |
| | DIMENSION UNITS | SCALE |
| (F)=0 | INCH/MM | 1:1 |
| (E)=0 | GENERAL TOLERANCES (UNLESS SPECIFIED) | |
| (P)=0 | mm | INCH |
| DIVISIONAL SYMBOLS | 4 PLACES | ±---- |
| | 3 PLACES | ±---- |
| | 2 PLACES | ±---- |
| | 1 PLACE | ±---- |
| | 0 PLACES | ±---- |
| | ANGULAR TOL ± ---- ° | |
| DRAFT WHERE APPLICABLE MUST REMAIN WITHIN DIMENSIONS | | THIRD ANGLE PROJECTION |
| | | DRAWING B-SIZE |
| | | SERIES 130066 |
| CURRENT REV DESC: UPDATED BORDER, CORRECTED INSERT HEIGHT, CORRECTED CABLE LENGTH CHART, ADDED INT. THREAD CUTOUT | | EC NO: 736452 |
| | | DRWN: SAMB12 2023/01/24 |
| | | CHK'D: RSTONE 2023/02/02 |
| | | APPR: BWOODMAN 2023/02/06 |
| INITIAL REVISION: | | |
| DRWN: MODELL 2009/02/23 | | |
| APPR: RDEROSS 2009/02/25 | | |
| DOCUMENT NUMBER | DOC TYPE | DOC PART |
| SD-130066-025 | PSD | 001 |
| MATERIAL NUMBER | CUSTOMER | SHEET NUMBER |
| 130066 | GENERAL MARKET | 1 OF 1 |