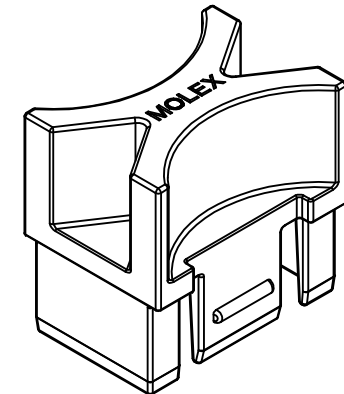
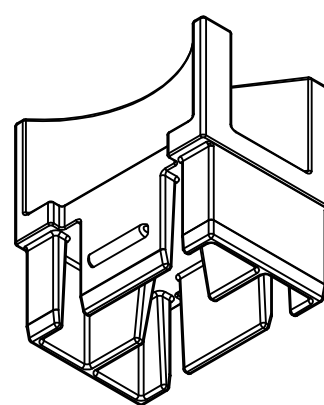
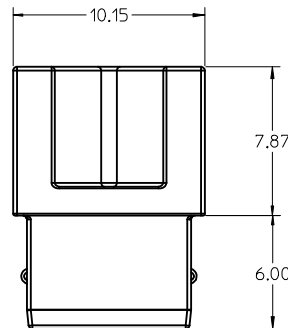
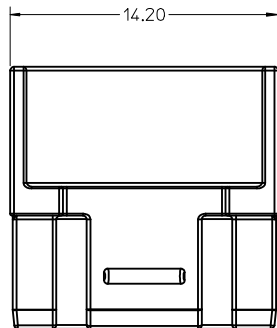


## NOTES:

1. MATERIAL: POLYESTER, VALOX 357, UL94V-0, COLOR: BLACK.  
UL YELLOW CARD NUMBER: E121562
2. PART COMPLIES WITH CLASS B OF COSMETIC SPECIFICATION PS-45499-002.
3. PACKAGED PER PK-75951-001.



<b>ADD VALOX 357 TO MATERIAL NOTE</b> EC NO: UCP2014-4595 DRAWN BY: DRWINRWHIPPLE 2014/04/29 CHECKED BY: CHKD:BBARKER 2014/04/29 APPR: SMILLER 2014/05/19	QUALITY SYMBOLS	GENERAL TOLERANCES (UNLESS SPECIFIED)		DIMENSION STYLE <b>MM ONLY</b>		SCALE <b>5:1</b>	DESIGN UNITS <b>METRIC</b>	THIRD ANGLE PROJECTION	
	▽=0	mm	INCH	DRAWN BY	DATE	TITLE <b>SFP DUST PLUG</b>			
	▽=0	4 PLACES ± ---	± ---	MIBARRA	2007/04/30				
	▽=0	3 PLACES ± ---	± ---	CHECKED BY	DATE	DOCUMENT NO. <b>SD-75951-999</b>			
▽=0	2 PLACES ± 0.13	± ---	BBARKER	2007/04/30					
	1 PLACE ± 0.25	± ---	APPROVED BY	DATE	SHEET NO. <b>1 OF 1</b>				
	0 PLACE ±	±	SMILLER	2007/04/30					
		ANGULAR ±1/2°		MATERIAL NO. <b>75951-0999</b>					
		DRAFT WHERE APPLICABLE MUST REMAIN WITHIN DIMENSIONS		SIZE <b>C</b>		THIS DRAWING CONTAINS INFORMATION THAT IS PROPRIETARY TO MOLEX INCORPORATED AND SHOULD NOT BE USED WITHOUT WRITTEN PERMISSION			