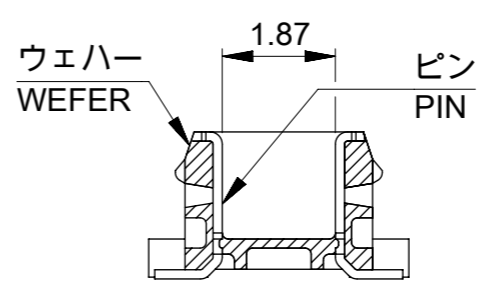
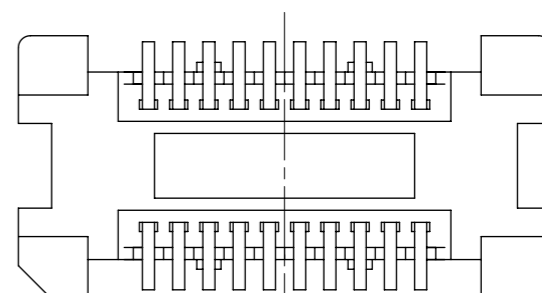


参考基板レイアウト (マウント面)  
P.C. BOARD PATTERN  
DIMENSION. (REF.)  
(MOUNTING AREA)



SECT. Z-Z



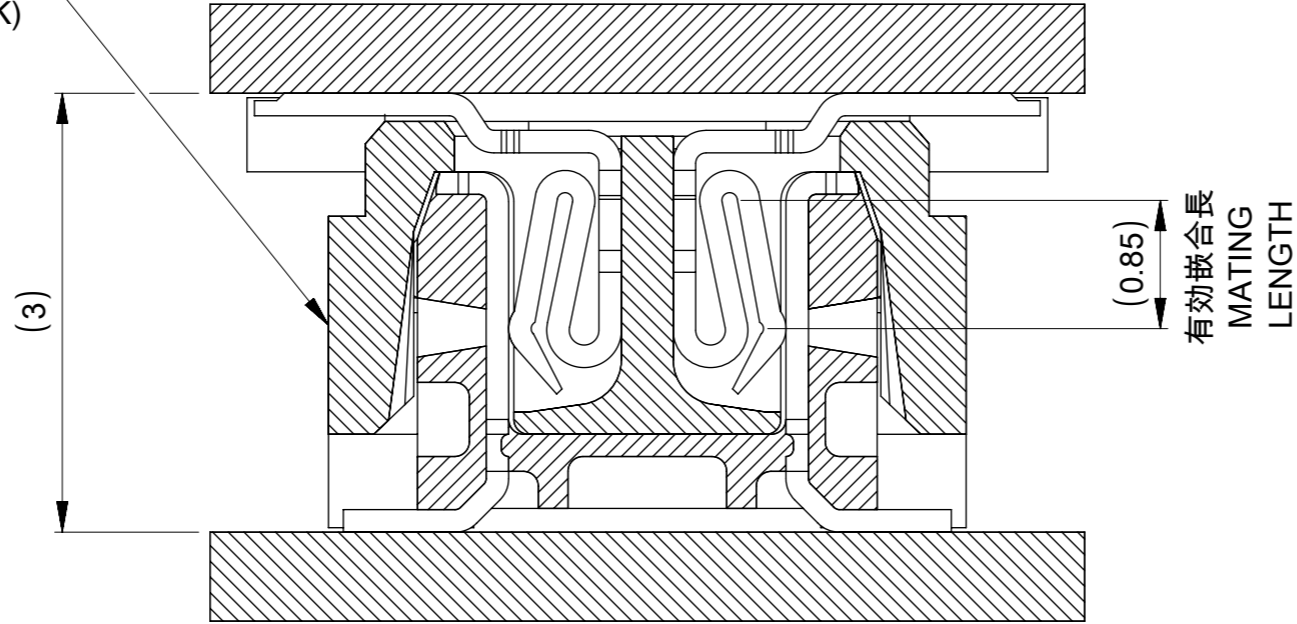
VIEW A (CASE OF 20-30CKT)

- 注記 NOTES:
1. 使用材料 MATERIAL  
ハウジング : LCPガラス入り (白), UL94V-0  
HOUSING : LCP(G.F.)(COLOR:WHITE), UL94V0  
ターミナル : 黄銅 (t=0.15)  
TERMINAL: BRASS (t=0.15)
  2. メッキ仕様 PLATING  
全体仕上げ : 金メッキ 0.1 MICROMETER MIN.  
ALL OVER : GOLD 0.1 MICROMETER MIN.  
下地メッキ : ニッケルメッキ 1.5 MICROMETER MIN.  
UNDER PLATING : NICKEL 1.5 MICROMETER MIN.
  3. 基準面 X からのソルダーテールの半田付け面のズレ量は、上方向 0 下方向 0.15MAX. とする。  
MISALIGNMENT OF SOLDER TAIL FROM X  
△ (全極数/2) = 偶数の場合に適用。  
APPLY FOR (CIRCUIT/2)=EVEN.
  5. 嵌合相手 : 52991シリーズ (嵌合高さ = 3mm)、54167シリーズ (嵌合高さ = 3mm)  
MATE WITH: 52991 SERIES (HEIGHT = 3mm), AND 54167 SERIES (HEIGHT = 3mm)
  6. テール平坦度は、0.1MAX.  
TAIL COPLANARITY TO BE 0.1MAX.
  7. ELV及びRoHS適合品  
ELV AND RoHS COMPLIANT

23.8	20.24	19.5	53748-0808	80
21.3	17.74	17.0	53748-0708	70
18.8	15.24	14.5	53748-0608	60
13.8	10.24	9.5	53748-0408	40
11.3	7.74	7.0	53748-0308	30
8.8	5.24	4.5	53748-0208	20
C	B	A	EMBOSSED TAPE	極数
			ORDER NO.	CIRCUIT
CONNECTOR SERIES NO.			53748-***0	

THIS DRAWING CONTAINS INFORMATION THAT IS PROPRIETARY TO MOLEX ELECTRONIC TECHNOLOGIES, LLC AND SHOULD NOT BE USED WITHOUT WRITTEN PERMISSION		CURRENT REV DESC: REVISED		<b>molex</b>	
DIMENSION UNITS	SCALE	EC NO: 642297			
mm	8:1	DRWN: SUDAYGUNAGI 2020/08/04		0.5 MM PITCH B-TO-B CONN. HEIGHT = 3 PLUG	
GENERAL TOLERANCES (UNLESS SPECIFIED)		CHK'D: HSHIMOYAMA 2020/11/30		PRODUCT CUSTOMER DRAWING	
ANGULAR TOL ± 30°		APPR: SHOSHIKAWA 2020/11/30		DOCUMENT NUMBER	
4 PLACES ± 0.2		INITIAL REVISION:		DOC TYPE	
3 PLACES ± 0.25		DRWN: S. A I HARA 1996/02/27		DOC PART	
2 PLACES ± 0.3		APPR: M. SASAO 2001/12/26		REVISION	
1 PLACE ±		SERIES		SD-53748-002	
0 PLACES ±		MATERIAL NUMBER		PSD 001 E	
DRAFT WHERE APPLICABLE MUST REMAIN WITHIN DIMENSIONS		DRAWING		CUSTOMER	
DRAFT WHERE APPLICABLE MUST REMAIN WITHIN DIMENSIONS		A3-SIZE		GENERAL	
THIRD ANGLE PROJECTION		53748		SHEET NUMBER	
				1 OF 2	

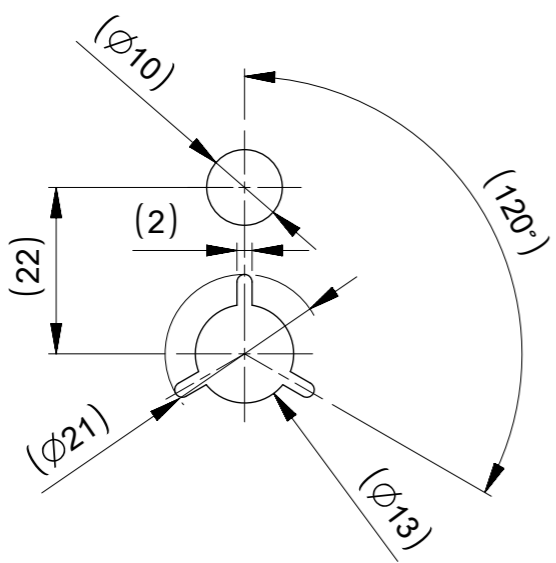
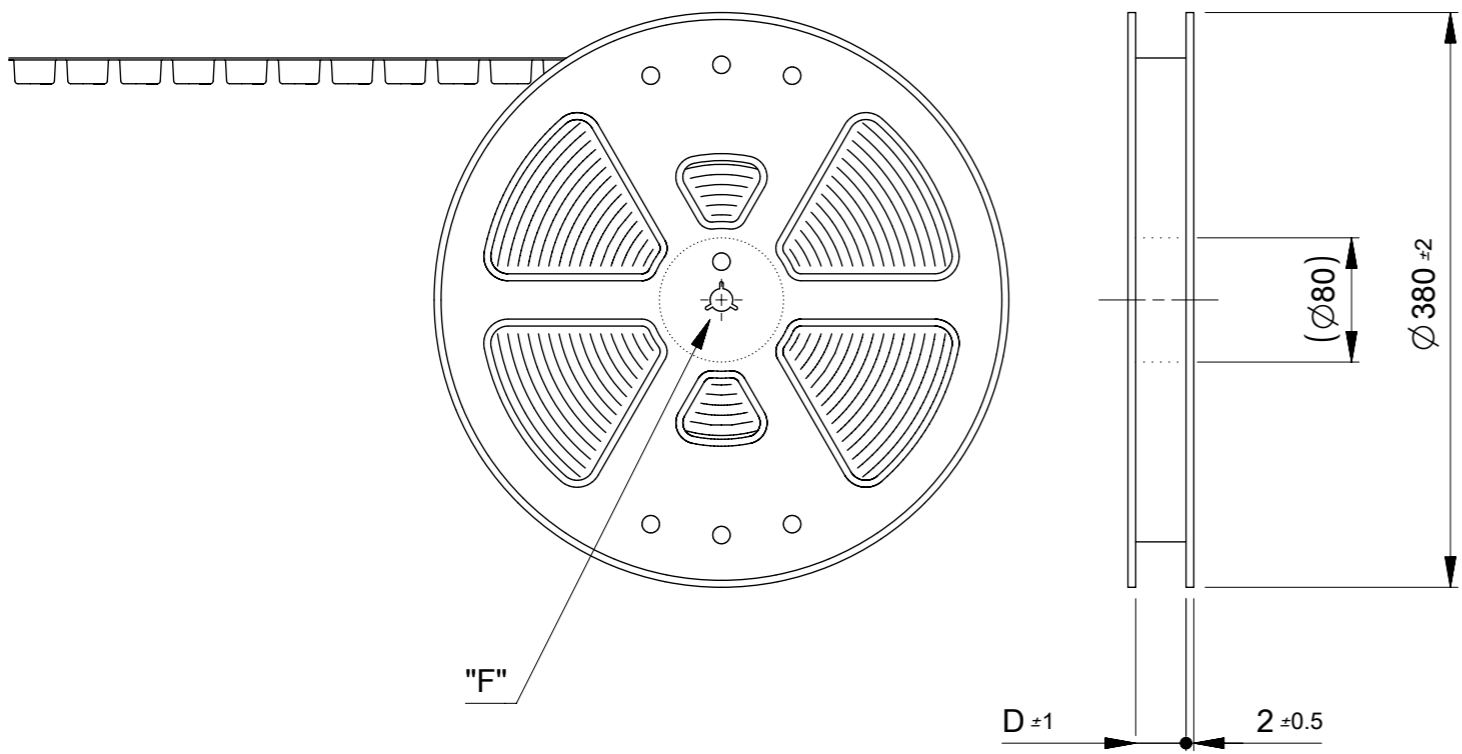
嵌合相手 MATE WITH  
 52991-\*\*\*8 (白 WHITE)  
 54167-\*\*\*8 (黒 BLACK)



嵌合断面図 (参考)  
 MATED DRAWING (REF.)

THIS DRAWING CONTAINS INFORMATION THAT IS PROPRIETARY TO MOLEX ELECTRONIC TECHNOLOGIES, LLC AND SHOULD NOT BE USED WITHOUT WRITTEN PERMISSION		CURRENT REV DESC: REVISED		<b>molex</b>	
0.5 MM PITCH B-TO-B CONN. HEIGHT = 3 PLUG		EC NO: 642297			
GENERAL TOLERANCES (UNLESS SPECIFIED)		GENERAL TOLERANCES (UNLESS SPECIFIED)		PRODUCT CUSTOMER DRAWING	
ANGULAR TOL ± 30°		ANGULAR TOL ± 30°		DOCUMENT NUMBER	
4 PLACES ± 0.2		4 PLACES ± 0.2		SD-53748-002	
3 PLACES ± 0.25		3 PLACES ± 0.25		DOC TYPE	
2 PLACES ± 0.3		2 PLACES ± 0.3		PSD	
1 PLACE ±		1 PLACE ±		DOC PART	
0 PLACES ±		0 PLACES ±		001	
ANGULAR ± 3°		ANGULAR ± 3°		REVISION	
DRAFT WHERE APPLICABLE MUST REMAIN WITHIN DIMENSIONS		DRAFT WHERE APPLICABLE MUST REMAIN WITHIN DIMENSIONS		E	
THIRD ANGLE PROJECTION		DRAWING		SHEET NUMBER	
A3-SIZE		SERIES		2 OF 2	
53748		MATERIAL NUMBER		SEE SHEET 1	
GENERAL		CUSTOMER		GENERAL	

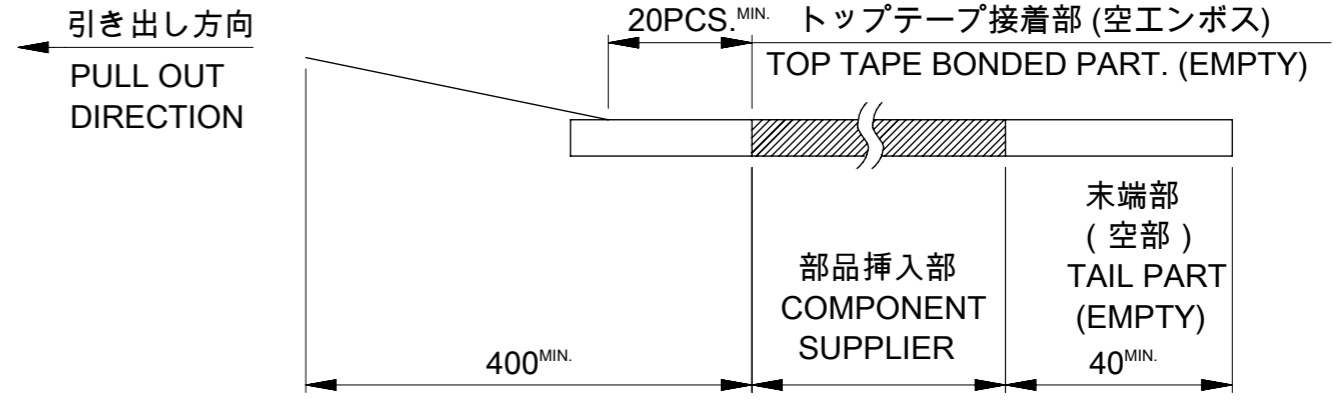
引き出し方向  
PULL OUT  
DIRECTION



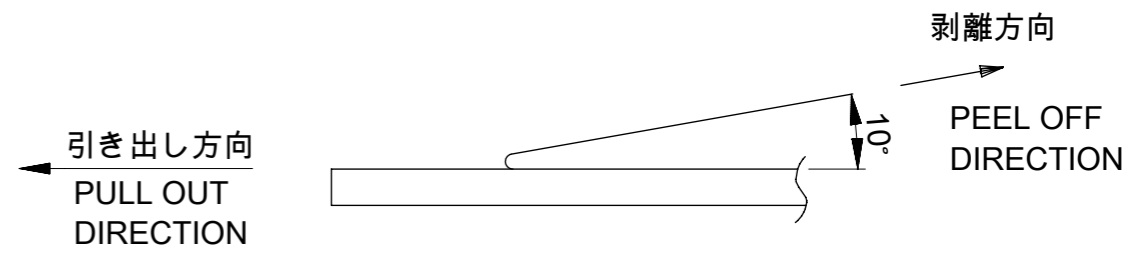
DETAIL "F"

NOTES

1. 製品詳細寸法については図面 SD-53748-002を参照下さい。  
DETAIL DIMENSION, SEE SD-53748-002
2. 梱包数量 : 3000個 / リール  
NUMBER OF CONNECTORS : 3000PCS/REEL
3. リードテープ長さ LEAD TAPE LENGTH



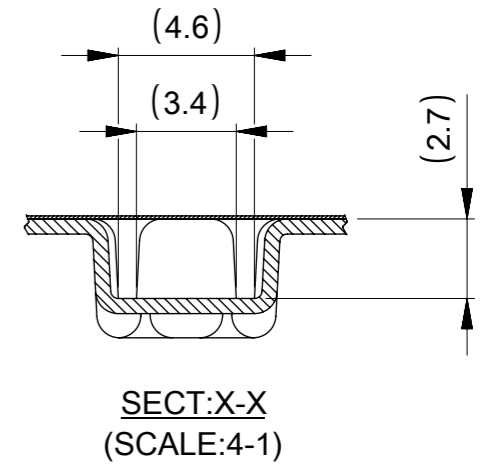
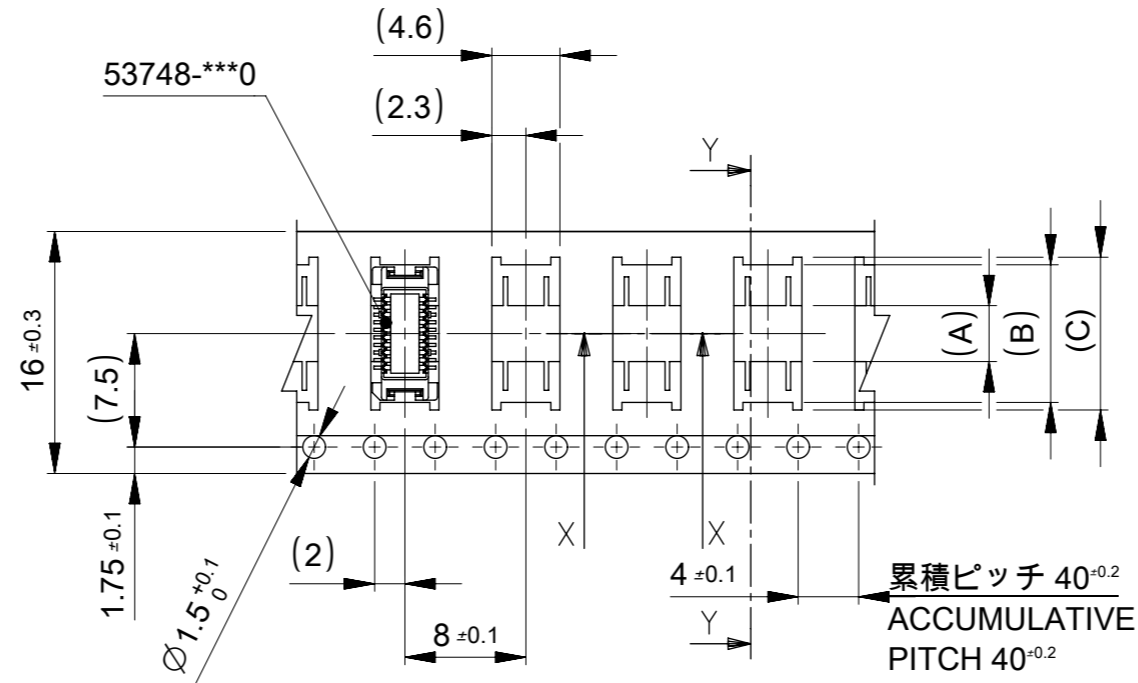
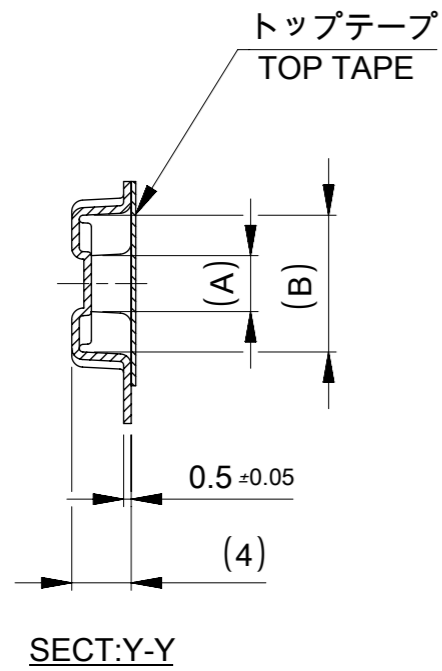
4. トップテープの剥離強度 : 0.1N ~ 0.7N(10.2gf ~ 71.4gf)  
(剥離方向は下図参照)  
尚、本規格値は出荷時に適用。(但し、輸送時に剥離が発生しないこと。)  
PEELING OFF FORCE OF TOP TAPE: 0.1N ~ 0.7N(10.2gf ~ 71.4gf)  
(PEELING DIRECTION AS SHOWN IN FOLLOWING FIG,)  
THIS REQUIREMENT SHOULD BE APPLIED AT SHIPMENT.  
PEEL OFF SHOULD NOT BE ALLOWED, DURING TRANSPORTATION.



5. 材料 ( MATERIAL )  
キャリアテープ ( CARRIER TAPE ) : ポリプロピレン ( POLYPROPYLENE )  
トップテープ ( TOPTAPE ) : PET , PE , PEF  
リール(REEL) : ポリスチレン ( PS ) <リサイクル材を含む>  
POLYSTYREN(PS) <RECYCLE MATERIAL CONTANED>

THIS DRAWING CONTAINS INFORMATION THAT IS PROPRIETARY TO MOLEX ELECTRONIC TECHNOLOGIES, LLC AND SHOULD NOT BE USED WITHOUT WRITTEN PERMISSION		CURRENT REV DESC: REVISED		<b>molex</b>	
DIMENSION UNITS	SCALE	EC NO: 642297			
mm	---	DRWN: SUDAYGUNAGI 2020/08/05		PRODUCT CUSTOMER DRAWING	
GENERAL TOLERANCES (UNLESS SPECIFIED)		CHK'D: HSHIMOYAMA 2020/11/30		DOCUMENT NUMBER	
ANGULAR TOL ± 30°		APPR: SHOSHIKAWA 2020/11/30		SD-53748-005	
4 PLACES ± 0.2		INITIAL REVISION:		DOC TYPE DOC PART REVISION	
3 PLACES ± 0.25		DRWN: T. NIITSU 1995/10/17		PSD 001 E	
2 PLACES ± 0.3		APPR: M. FUKUSHIMA 2001/01/23		MATERIAL NUMBER	
1 PLACE ±		THIRD ANGLE PROJECTION		CUSTOMER	
0 PLACES ±		DRAWING		SHEET NUMBER	
DRAFT WHERE APPLICABLE MUST REMAIN WITHIN DIMENSIONS		SERIES		SEE SHEET 2-5	
		A3-SIZE		GENERAL	
		53748		1 OF 5	

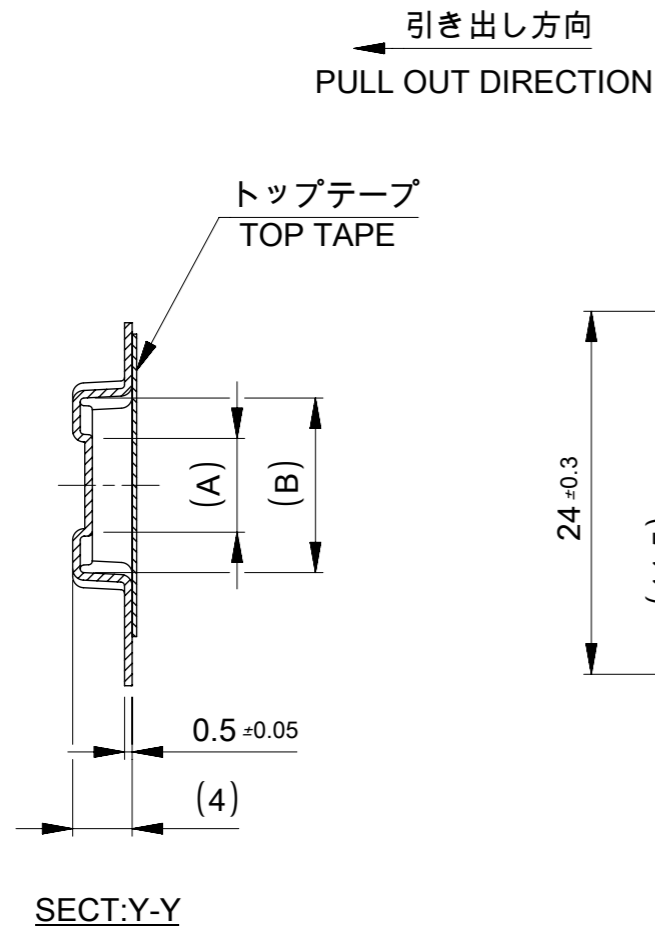
引き出し方向  
PULL OUT DIRECTION



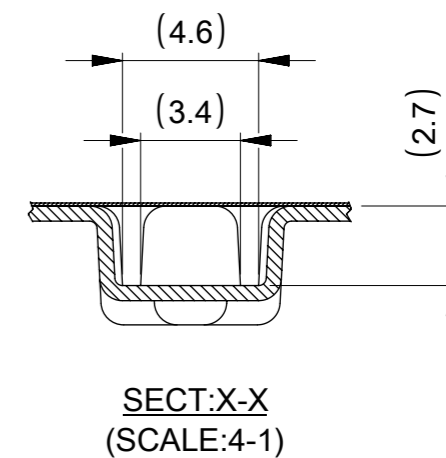
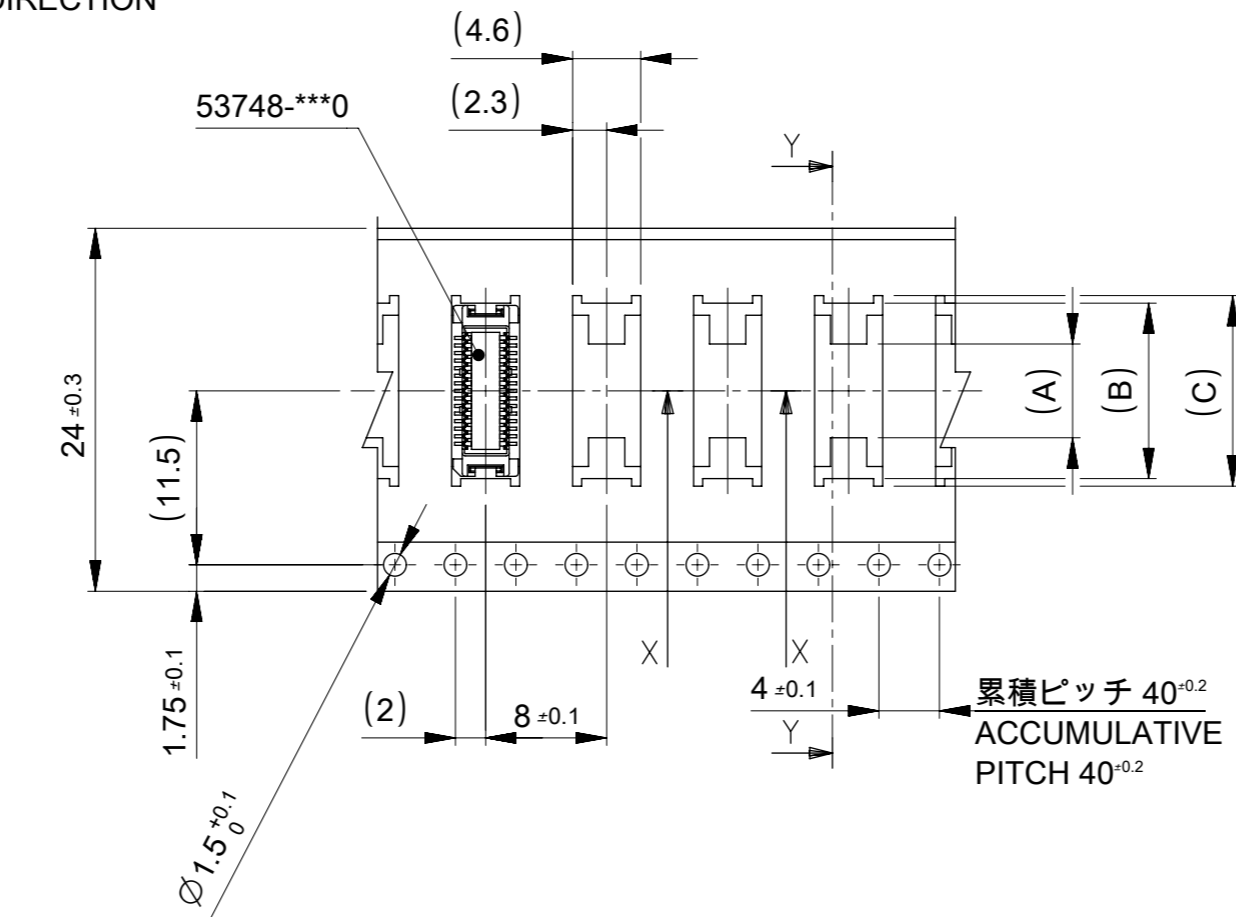
16mm 幅キャリアテープ  
16mm WIDTH CARRIER TAPE

16	17.5	10.1	9.1	3.7	53748-0208	20
キャリアテープ幅 CARRIER TAPE WIDTH		D	(C)	(B)	(A)	MATERIAL NO. 極数 CKT.

THIS DRAWING CONTAINS INFORMATION THAT IS PROPRIETARY TO MOLEX ELECTRONIC TECHNOLOGIES, LLC AND SHOULD NOT BE USED WITHOUT WRITTEN PERMISSION		CURRENT REV DESC: REVISED		<b>molex</b>		
DIMENSION UNITS mm	SCALE ---	GENERAL TOLERANCES (UNLESS SPECIFIED)				
GENERAL TOLERANCES (UNLESS SPECIFIED)		ANGULAR TOL ± 30°		PRODUCT CUSTOMER DRAWING		
10 <sup>UNDER</sup>	±0.2	4 PLACES	± 0.2	EC NO: 642297	2020/08/05	
10 <sup>OVER</sup> 30 <sup>UNDER</sup>	±0.25	3 PLACES	± 0.25	DRWN: SUDAYGUNAGI	2020/11/30	
30 <sup>OVER</sup>	±0.3	2 PLACES	± 0.3	CHK'D: HSHIMOYAMA	2020/11/30	
ANGULAR ±3°		1 PLACE	±	APPR: SHOSHIKAWA	2020/11/30	
DRAFT WHERE APPLICABLE MUST REMAIN WITHIN DIMENSIONS		0 PLACES	±	INITIAL REVISION:	DOCUMENT NUMBER	
		DRAFT WHERE APPLICABLE MUST REMAIN WITHIN DIMENSIONS		DRWN: T. NIITSU	1995/10/17	SD-53748-005
		THIRD ANGLE PROJECTION		APPR: M. FUKUSHIMA	2001/01/23	PSD 001 E
		DRAWING		SERIES		MATERIAL NUMBER
		A3-SIZE		53748		SEE TABLE
		CUSTOMER		GENERAL		SHEET NUMBER
						2 OF 5



引き出し方向  
PULL OUT DIRECTION

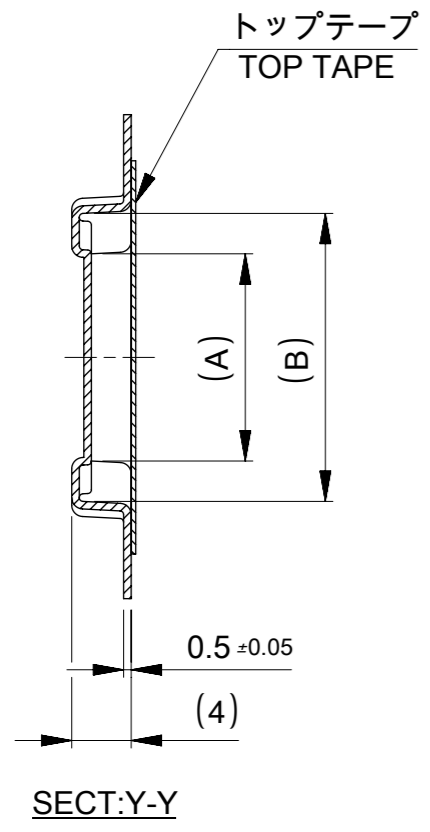
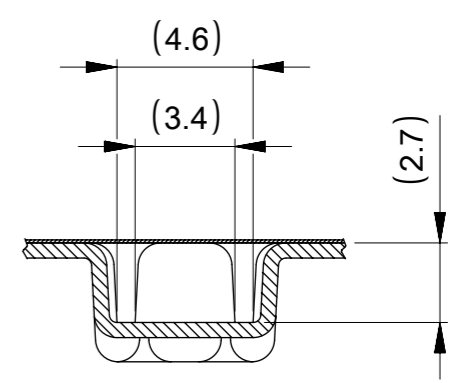
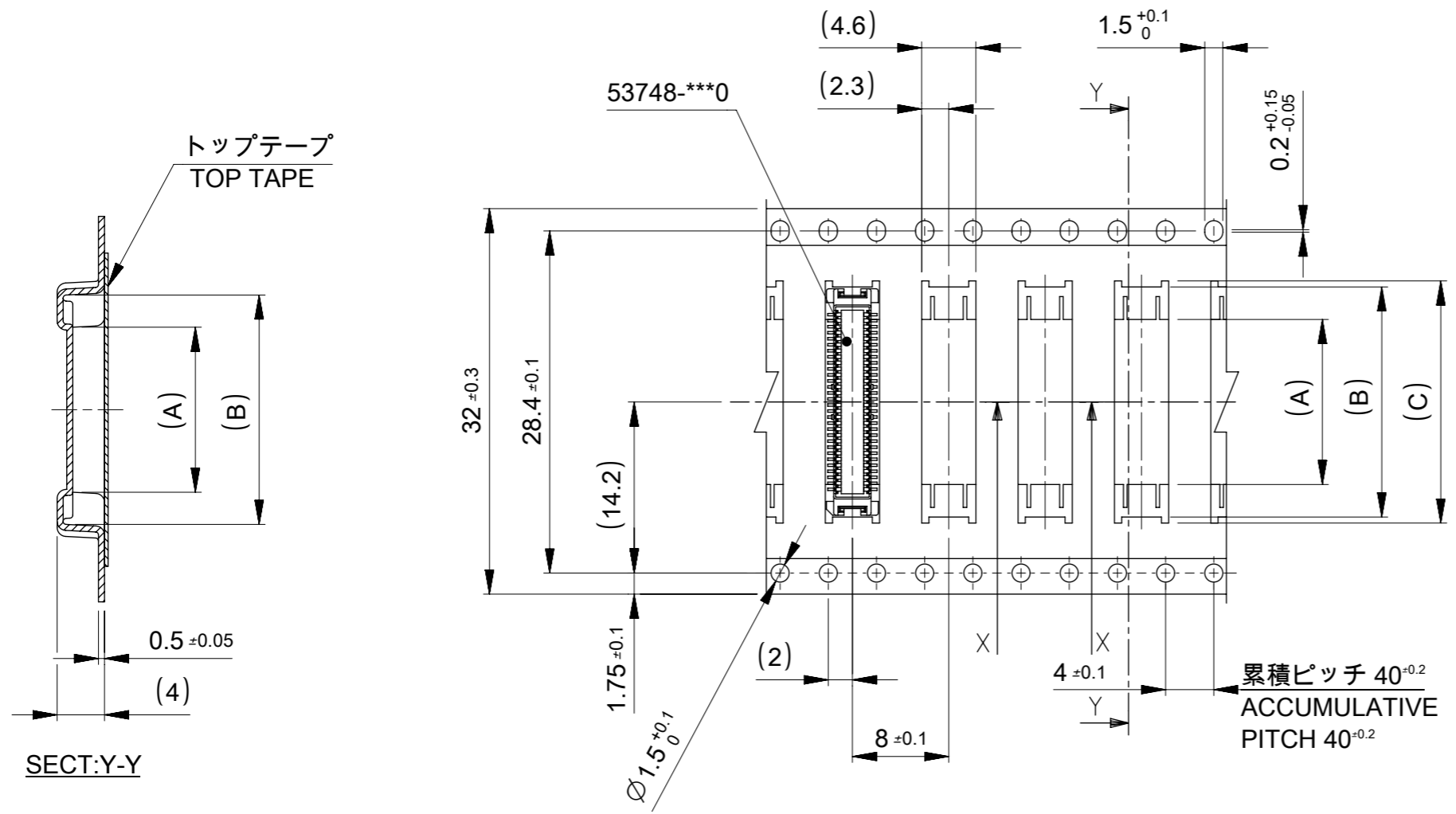


24mm 幅キャリアテープ  
24mm WIDTH CARRIER TAPE

24	25.5	15.1	14.1	7.4	53748-0408	40
		12.6	11.6	4.9	53748-0308	30
キャリアテープ幅 CARRIER TAPE WIDTH		D	(C)	(B)	(A)	MATERIAL NO. 極数 CKT.

THIS DRAWING CONTAINS INFORMATION THAT IS PROPRIETARY TO MOLEX ELECTRONIC TECHNOLOGIES, LLC AND SHOULD NOT BE USED WITHOUT WRITTEN PERMISSION		CURRENT REV DESC: REVISED		<b>molex</b>		
DIMENSION UNITS	SCALE	EC NO: 642297				
mm	---	DRWN: SUDAYGUNAGI		PRODUCT CUSTOMER DRAWING		
GENERAL TOLERANCES (UNLESS SPECIFIED)		CHK'D: HSHIMYOYAMA		DOCUMENT NUMBER		
ANGULAR TOL ± 30°		APPR: SHOSHIKAWA		SD-53748-005		
4 PLACES ± 0.2		INITIAL REVISION:		DOC TYPE		
3 PLACES ± 0.25		DRWN: T. NIITSU		DOC PART		
2 PLACES ± 0.3		APPR: M. FUKUSHIMA		REVISION		
1 PLACE ±		1995/10/17		E		
0 PLACES ±		2001/01/23		MATERIAL NUMBER		
DRAFT WHERE APPLICABLE MUST REMAIN WITHIN DIMENSIONS		THIRD ANGLE PROJECTION		CUSTOMER		
		DRAWING		SHEET NUMBER		
		A3-SIZE		3 OF 5		
		SERIES		MATERIAL NUMBER		
		53748		CUSTOMER		
		SEE TABLE		GENERAL		

引き出し方向  
PULL OUT DIRECTION



32mm 幅キャリアテープ  
32mm WIDTH CARRIER TAPE

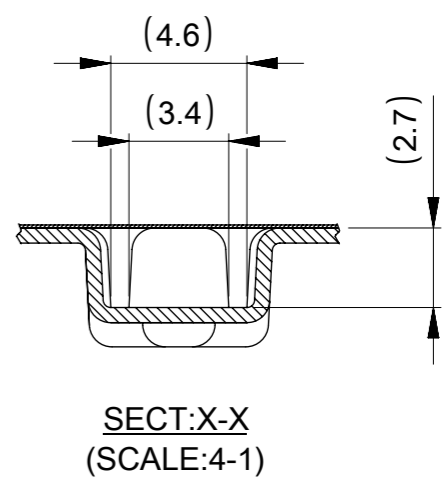
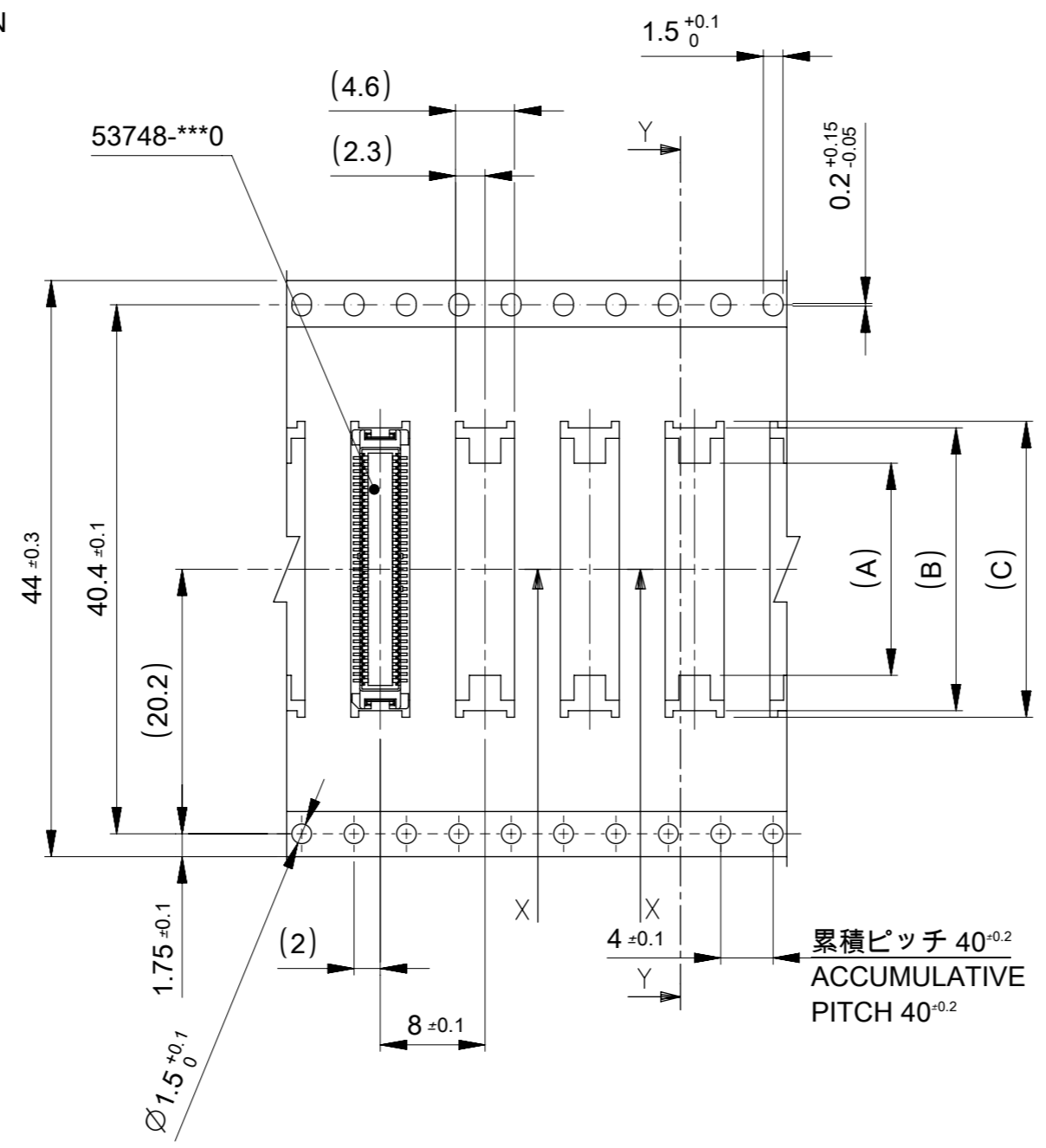
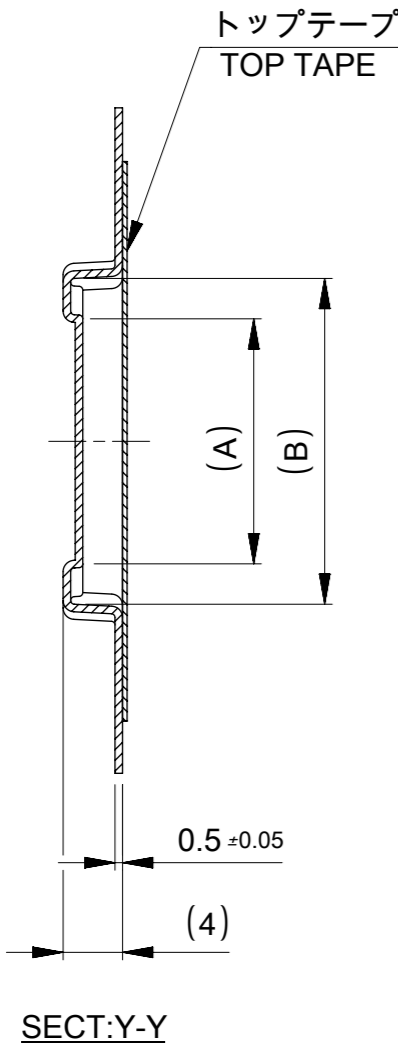
累積ピッチ 40<sup>+0.2</sup>  
ACCUMULATIVE PITCH 40<sup>+0.2</sup>

32	33.5	20.1	19.1	13.7	53748-0608	60
キャリアテープ幅 CARRIER TAPE WIDTH		D	(C)	(B)	(A)	MATERIAL NO. 極数 CKT.

THIS DRAWING CONTAINS INFORMATION THAT IS PROPRIETARY TO MOLEX ELECTRONIC TECHNOLOGIES, LLC AND SHOULD NOT BE USED WITHOUT WRITTEN PERMISSION

DIMENSION UNITS	SCALE	CURRENT REV DESC: REVISED	
mm	---		
GENERAL TOLERANCES (UNLESS SPECIFIED)		<p><b>molex</b></p> <p>0.5 MM PITCH B-TO-B CONN. HEIGHT = 3 PLUG EMBOSS TAPE PACKAGE</p> <p>PRODUCT CUSTOMER DRAWING</p>	
ANGULAR TOL ± 30°			
4 PLACES ± 0.2			
3 PLACES ± 0.25			
2 PLACES ± 0.3			
1 PLACE ±		<p>EC NO: 642297</p> <p>DRWN: SUDAYGUNAGI 2020/08/05</p> <p>CHK'D: HSHIMOYAMA 2020/11/30</p> <p>APPR: SHOSHIKAWA 2020/11/30</p>	
0 PLACES ±		<p>INITIAL REVISION:</p> <p>DRWN: T. NIITSU 1995/10/17</p> <p>APPR: M. FUKUSHIMA 2001/01/23</p>	
DRAFT WHERE APPLICABLE MUST REMAIN WITHIN DIMENSIONS		THIRD ANGLE PROJECTION	DRAWING
			A3-SIZE
		SERIES	MATERIAL NUMBER
		53748	SEE TABLE
		CUSTOMER	DOC TYPE
		GENERAL	PSD
		DOC PART	DOC PART
		001	001
		REVISION	REVISION
			E
		SHEET NUMBER	SHEET NUMBER
		4 OF 5	4 OF 5

引き出し方向  
PULL OUT DIRECTION



44mm 幅キャリアテープ  
44mm WIDTH CARRIER TAPE

44	45.5	25.1	24.1	18.7	53748-0808	80
		22.6	21.6	16.2	53748-0708	70
キャリアテープ幅 CARRIER TAPE WIDTH		D	(C)	(B)	(A)	MATERIAL NO. 極数 CKT.

THIS DRAWING CONTAINS INFORMATION THAT IS PROPRIETARY TO MOLEX ELECTRONIC TECHNOLOGIES, LLC AND SHOULD NOT BE USED WITHOUT WRITTEN PERMISSION		CURRENT REV DESC: REVISED		<b>molex</b>		
DIMENSION UNITS	SCALE	EC NO: 642297				
mm	---	DRWN: SUDAYGUNAGI 2020/08/05		PRODUCT CUSTOMER DRAWING		
GENERAL TOLERANCES (UNLESS SPECIFIED)		CHK'D: HSHIMUYAMA 2020/11/30		DOCUMENT NUMBER		
ANGULAR TOL ± 30°		APPR: SHOSHIKAWA 2020/11/30		SD-53748-005		
4 PLACES ± 0.2		INITIAL REVISION:		DOC TYPE DOC PART REVISION		
3 PLACES ± 0.25		DRWN: T. NIITSU 1995/10/17		PSD 001 E		
2 PLACES ± 0.3		APPR: M. FUKUSHIMA 2001/01/23		MATERIAL NUMBER		
1 PLACE ±		SERIES		CUSTOMER		
0 PLACES ±		A3-SIZE		GENERAL		
DRAFT WHERE APPLICABLE MUST REMAIN WITHIN DIMENSIONS		THIRD ANGLE PROJECTION		SHEET NUMBER		
		DRAWING		5 OF 5		